

4

3

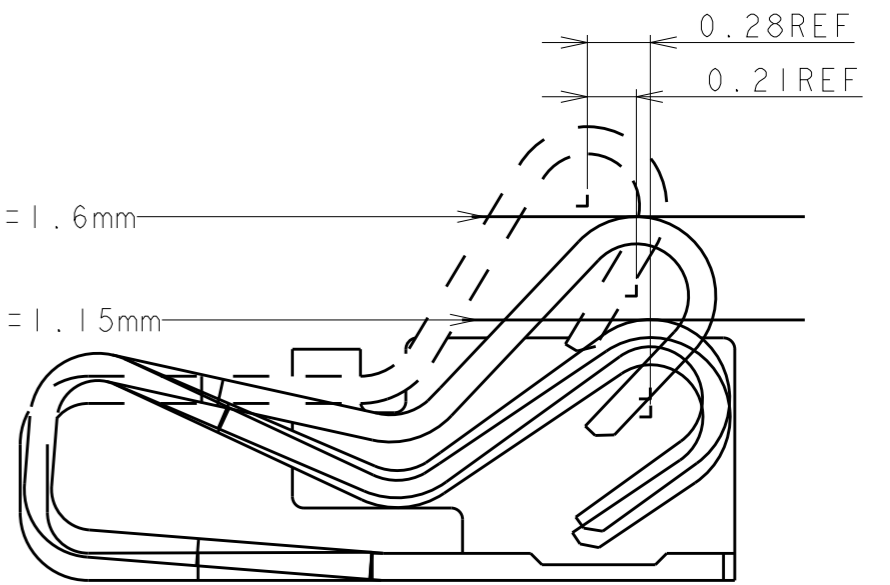
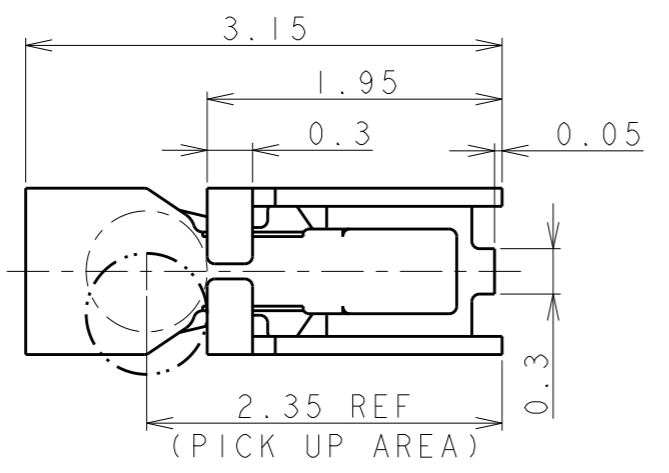
2

1

THIS DRAWING IS UNPUBLISHED. RELEASED FOR PUBLICATION 20
© COPYRIGHT 20 BY - ALL RIGHTS RESERVED.

LOC	DIST	REVISIONS			
P	LTR	DESCRIPTION	DATE	DWN	APVD
J	-	D1	REVISED	25APR2012	T.Z S.Y
		D2	REVISED FOR ADD *-3, ADD NOTE 7	03JUN2013	R.W S.Y

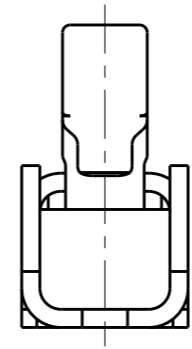
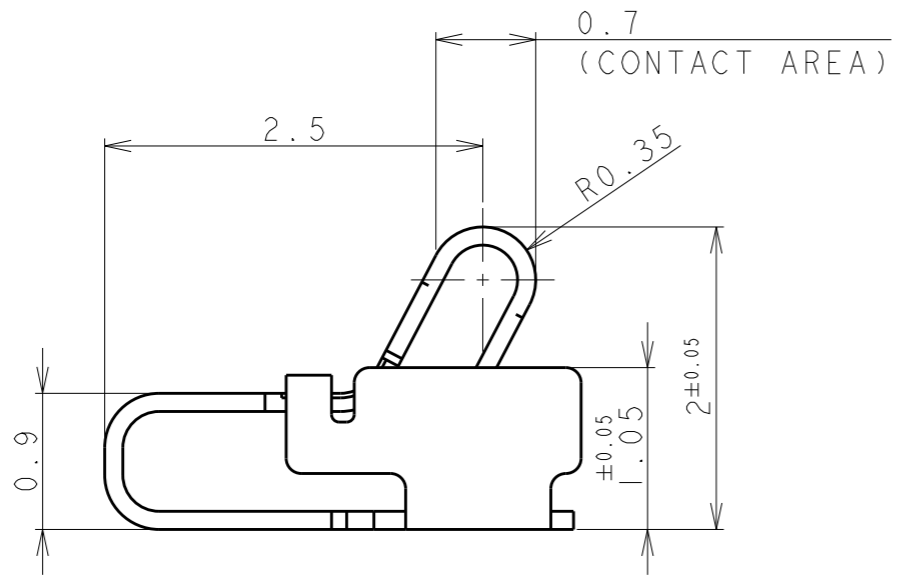
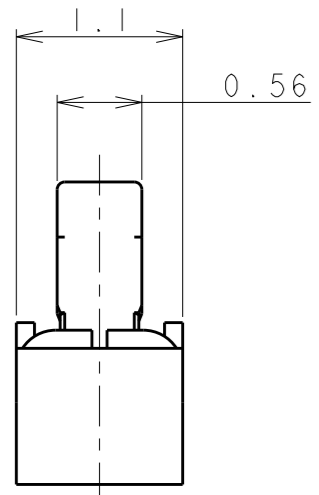
AS SHOWN: -1 & -3



PCB HEIGHT=1.6mm

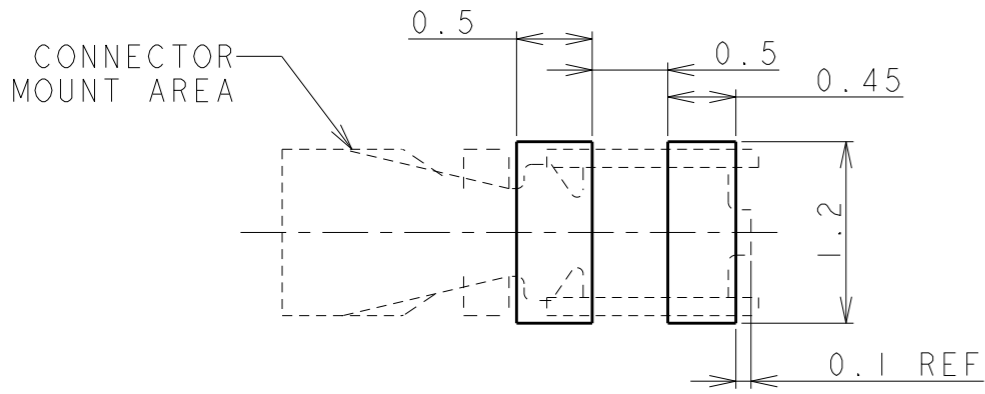
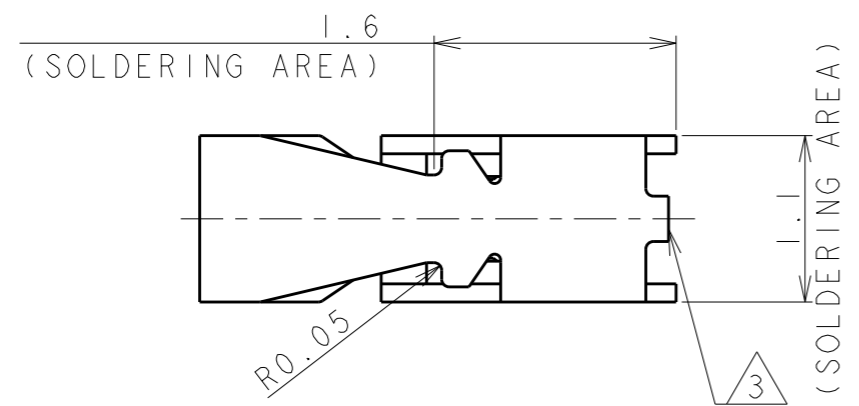
PCB HEIGHT=1.15mm

STROKE CONDITION (REFERENCE)
SCALE 30:1



NOTES:

- △ PRE-PLATING SPECIFICATION:
 Ni UNDER PLATING : 0.8um TO 2.0um
 Au PLATING (CONTACT PLATING) : 0.25um TO 0.5um
 AU PLATING (SOLDER PLATING) : 0.05um TO 0.5um
- △ MATERIAL : COPPER ALLOY, THK.=0.12mm
- △ CUTTING BURR : 0.05mm MAX.
- 4 CIRCUMFERENCE BURRS : 0.03mm MIN.
- 5 DISUSED PACKAGEING MATERIAL : DRYPACK AND BAKING PROCESS.
- △ POST-PLATING SPECIFICATION)
 Ni UNDER PLATING : 0.8um TO 2.0um
 Au PLATING (CONTACT PLATING) : 0.3um MIN.
 AU PLATING (SOLDER PLATING) : 0.01um TO 0.2um
- 7. NORMAL FORCE AT 1.60mm HEIGHT IS 0.3N MIN
 NORMAL FORCE AT 1.15mm HEIGHT IS 1.1N MAX



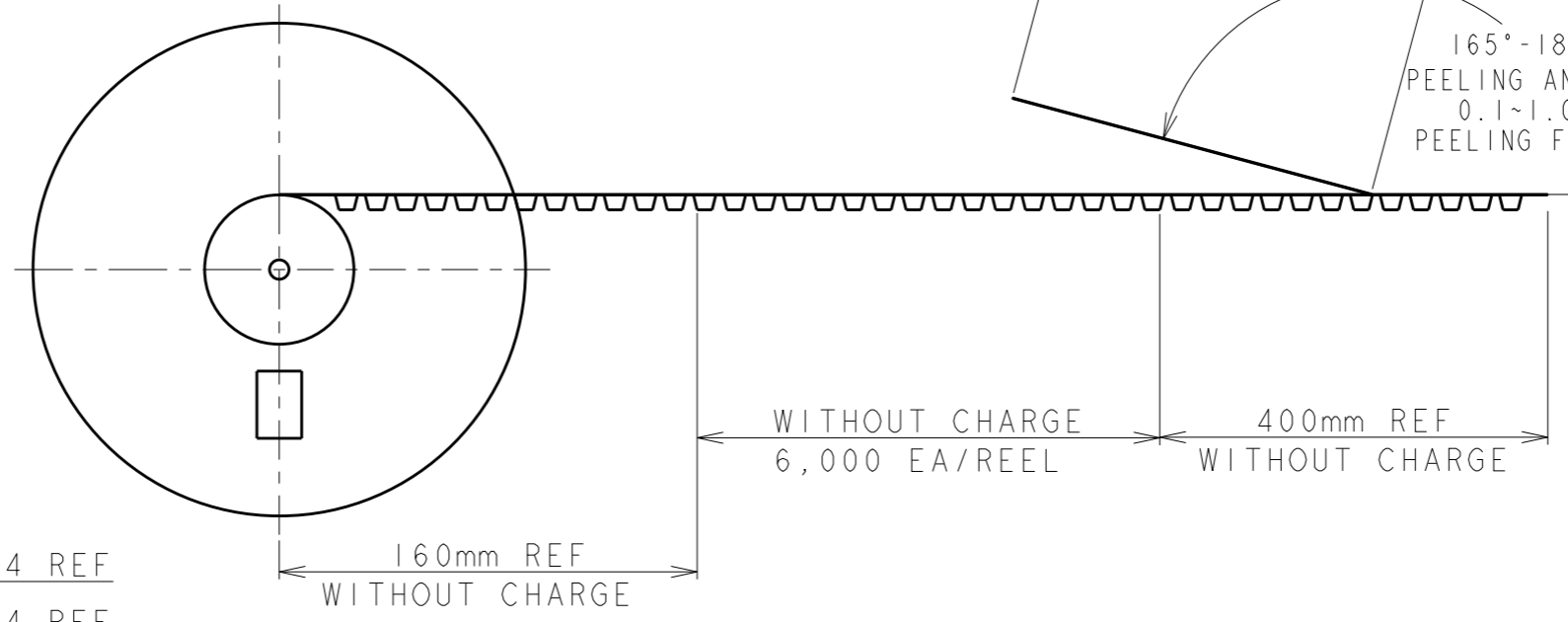
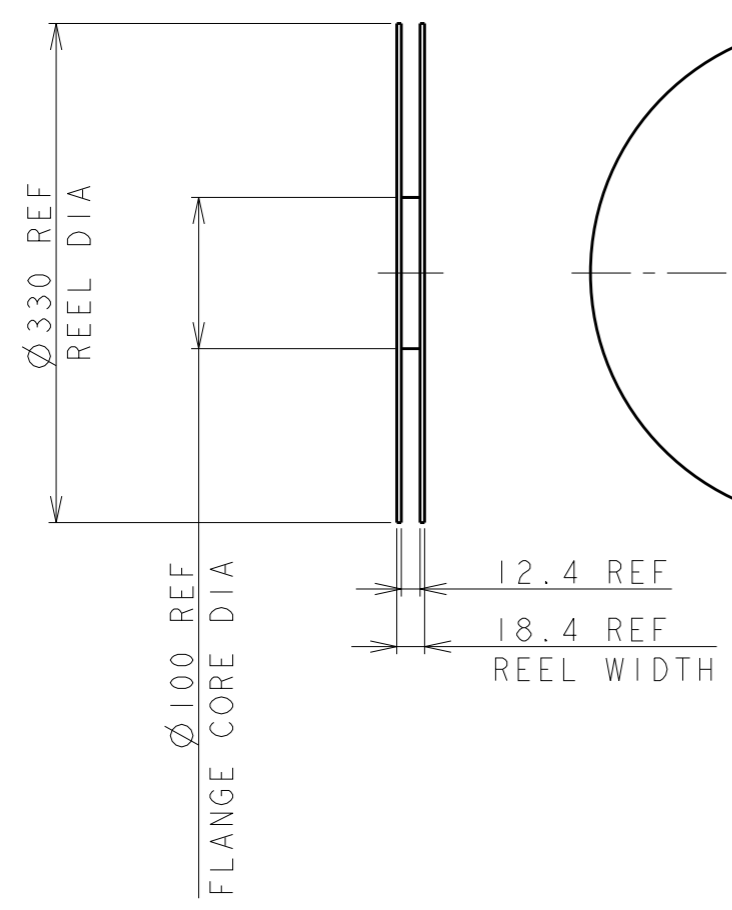
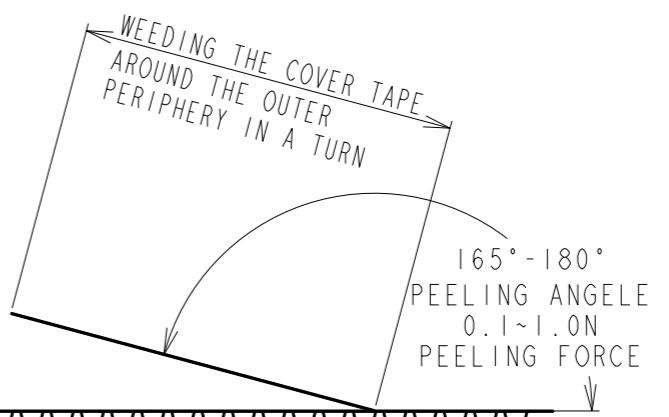
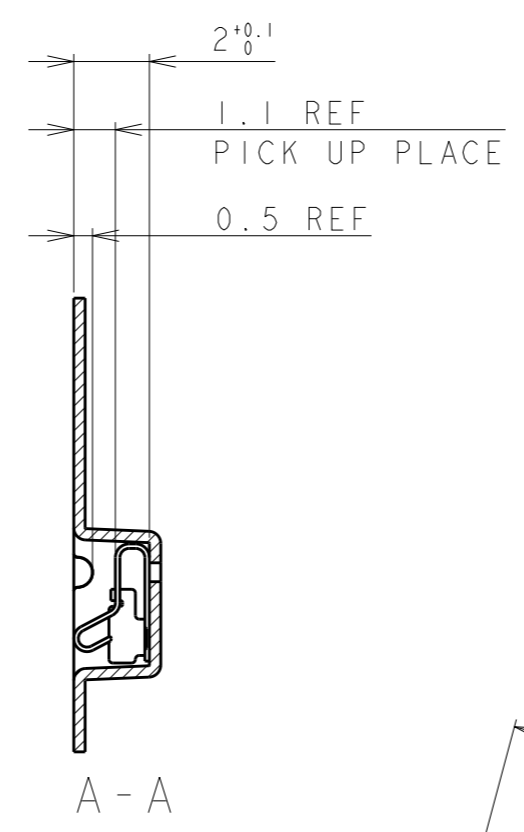
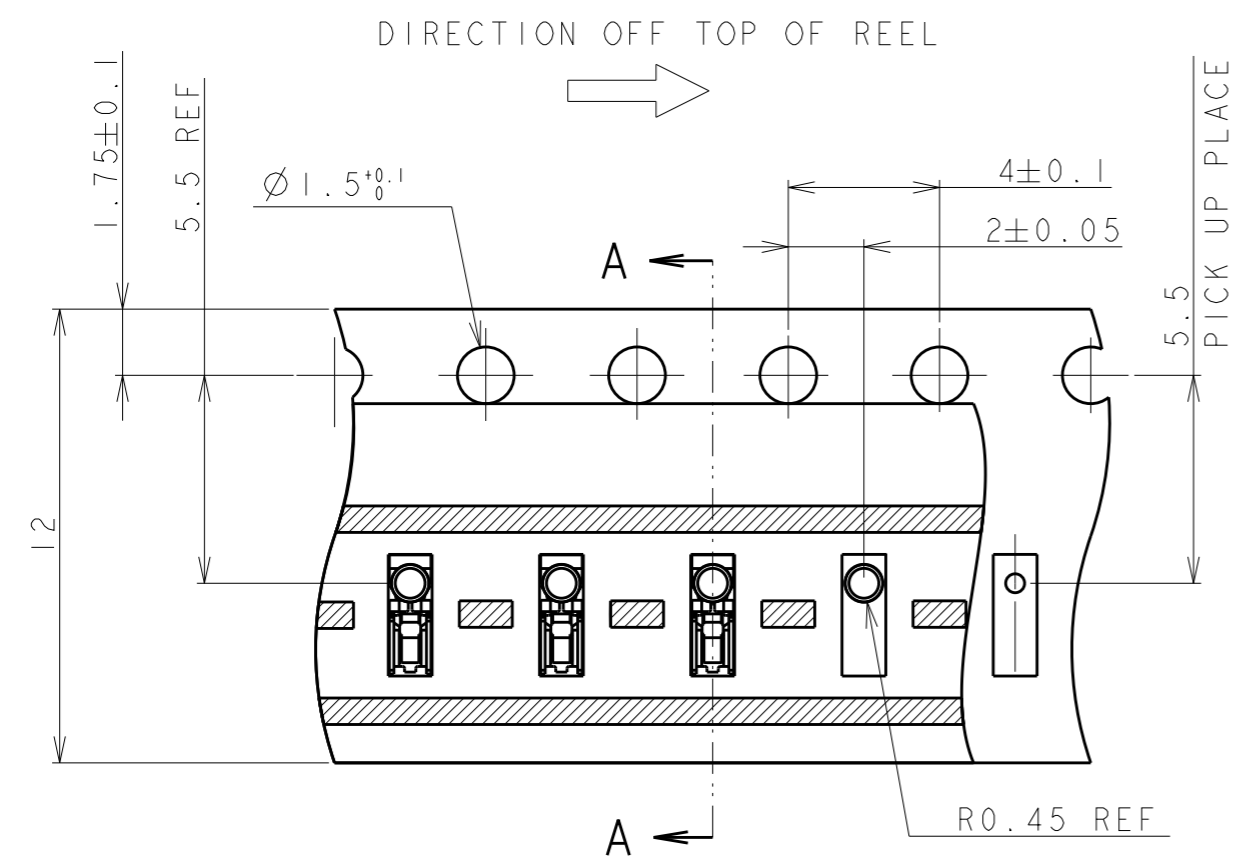
PCB LAYOUT (REFERENCE)
SCALE 20:1


N/A	△	△	1554901-3
108-78724	△	△	1554901-1
PRODUCT SPEC.	FINISH	MATERIAL	PART NUMBER

THIS DRAWING IS A CONTROLLED DOCUMENT.		DWN	06NOV2009	STE TE Connectivity
DIMENSIONS: mm		CHK	06NOV2009	
TOLERANCES UNLESS OTHERWISE SPECIFIED: ±0.15		APVD	06NOV2009	
0 PLC ± 1 PLC ±0.5 2 PLC ±0.13 3 PLC ±0.013 4 PLC ±0.000J ANGLES ±3		Y. KUDO	Y. NAKAZAWA	
MATERIAL		PRODUCT SPEC		NAME
FINISH		APPLICATION SPEC		SHIELD FINGER 2011
Customer Drawing		WEIGHT	0.0098 g	SIZE
		A300779		CAGE CODE
		C=1554901		DRAWING NO
		SCALE 20:1		RESTRICTED TO
		SHEET 1 OF 2		REV D2

THIS DRAWING IS UNPUBLISHED. RELEASED FOR PUBLICATION 20
 © COPYRIGHT 20 BY - ALL RIGHTS RESERVED.

LOC	DIST	REVISIONS			
P	LTR	DESCRIPTION	DATE	DWN	APVD
J	-	SEE SHEET 1	-	-	-



THIS DRAWING IS A CONTROLLED DOCUMENT.		DWN Y. KUDO 06NOV2009	 TE Connectivity
DIMENSIONS: mm		CHK C. OHASHI 06NOV2009	
TOLERANCES UNLESS OTHERWISE SPECIFIED: ± 0.2		APVD Y. NAKAZAWA 06NOV2009	
0 PLC ± 1 PLC ±0.5 2 PLC ±0.13 3 PLC ±0.013 4 PLC ±0.000J ANGLES ±3		NAME -	
MATERIAL -		PRODUCT SPEC 108-78724	SHIELD FINGER 2011
FINISH -		APPLICATION SPEC -	SIZE -
		WEIGHT 0.0098 g	CAGE CODE A300779
		Customer Drawing	DRAWING NO C-1554901
		SCALE 20:1	RESTRICTED TO -
		SHEET 2 OF 2	REV D2

X-ON Electronics

Largest Supplier of Electrical and Electronic Components

Click to view similar products for [EMI Gaskets, Sheets & Absorbers](#) category:

Click to view products by [TE Connectivity](#) manufacturer:

Other Similar products are found below :

[8101010140](#) [8563-0090-89](#) [GS PROTOTYPE KIT-COMM](#) [1194-7.7X10](#) [1554907-1](#) [SG293037DS](#) [ST005PCN50](#) [55005107](#)
[38M4040AA0606](#) [4105-PA-51H-01800](#) [4240-PA-51H-01800](#) [46J5N02020.NN00](#) [1170-3/4X18YDS](#) [1183-12"X18YD](#) [6-34T-BD-0.315](#)
[SG125187D-24](#) [SG125250R-24](#) [SG187375R-24](#) [SG250375D-24](#) [SG284050DS](#) [SG375500D-24](#) [8402010540](#) [SE28B0071](#) [331001](#) [4106-S](#)
[45-5640-BU](#) [4106-.25](#) [SG060125R-48](#) [SG125250R-48](#) [SG187375R-48](#) [78153090](#) [78547093](#) [IFL10M-200NB300X200](#) [IBF15-](#)
[180DD125X125](#) [IBF15-100DD125X125](#) [EFR\(10\)-240X240T1500](#) [BMI-S-104](#) [8865-0130-93](#) [8864-0105-93](#) [8864-0100-93](#) [8863-0110-93](#)
[8861-0135-93](#) [8865-0105-93](#) [2DCF79S](#) [BMIS-204-F](#) [1245-7.7X10](#) [AB5010HF](#) [AB5100SHF](#) [AB6005S](#) [AB7020HF](#)