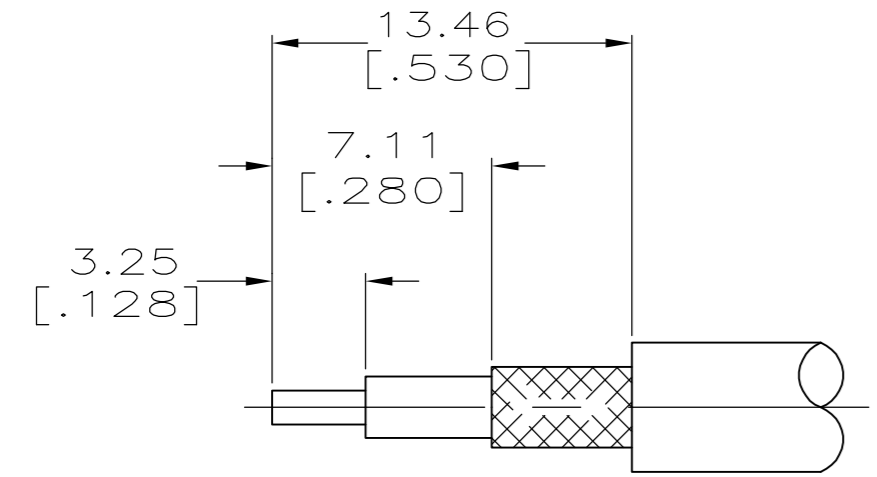
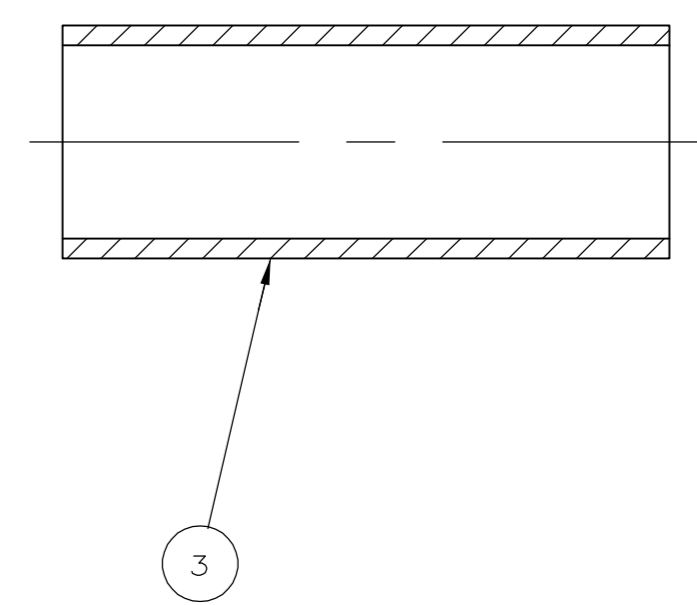
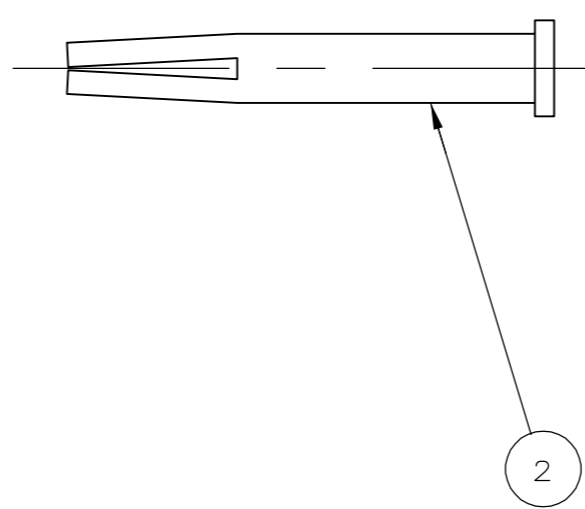
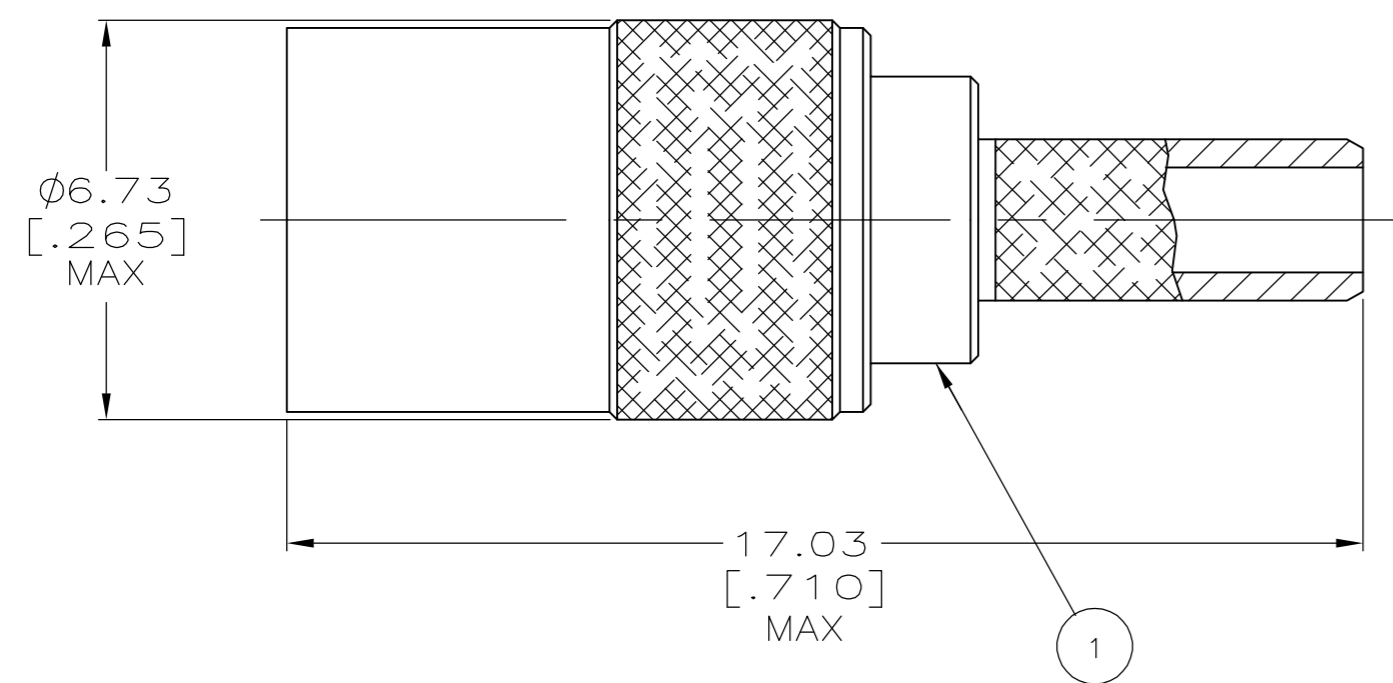


THIS DRAWING IS UNPUBLISHED. RELEASED FOR PUBLICATION  
 © COPYRIGHT BY TYCO ELECTRONICS CORPORATION. ALL RIGHTS RESERVED.

LOC		DIST		REVISIONS			
P	LTR	DESCRIPTION		DATE	DWN	APVD	
	B2	REVISED PER ECO 05-015746		15MAY06	GB	JH	



RECOMMENDED STRIP LENGTHS  
SCALE NTS



- △ FINISHES:  
 BODY: NICKEL PLATE PER QQ-N-290  
 CONTACT: GOLD PLATE PER ASTM B 488  
 OUTER CONTACT: GOLD PLATE PER ASTM B 488
- △ FINISHES:  
 BODY: NICKEL PLATE PER QQ-N-290  
 CONTACT: GOLD PLATE PER ASTM B 488  
 OUTER CONTACT: NICKEL PLATE PER QQ-N-290
- 3. INTERFACE PER MIL-C-39012.
- 4. SEE I.S. SHEET 408-2987-12.

B	58483-1	.128	HX4-1637	4	K699	△1	RG-179	9-446556-1	228278-4	9-414958-0	1-5414946-1						
B	58483-1	.128	HX4-1637	4	K699	△2	RG-179	1-413889-3	228278-4	9-414958-1	5414946-6						
B	58483-1	.128	HX4-1637	4	K699	△1	RG-179	1-413889-3	228278-4	9-414958-0	5414946-5						
C	58483-1	.151	HX4-1637	4	K699	△1	RD-316	1-413889-4	228203-4	9-414958-0	5414946-3						
B	58483-1	.128	HX4-1637	4	K699	△2	RG-316 & RG-174	1-413889-3	228203-4	9-414958-1	5414946-2						
POSITION LETTER	AMP DIE SET	HEX SIZE	DANIELS DIE SET	SELECTOR NUMBER	DANIELS POSITIONER	NOTES	CABLE	③ FERRULE QTY=1	② CONTACT QTY=1	① PLUG ASSY QTY=1	PART NO						
AMP PRO-CRIMPER FOR BRAID CRIMP						M 22520/5-01 FOR BRAID CRIMP						M 22520/2-01 FOR CONTACT CRIMP					
TOOLING INFORMATION																	

THIS DRAWING IS A CONTROLLED DOCUMENT.

DIMENSIONS: mm [INCHES]	TOLERANCES UNLESS OTHERWISE SPECIFIED:	DWN G. ATTADIA - DOCK5 01FEB2005	Tyco Electronics Corporation Harrisburg, PA 17105-3608
	0 PLC ± -	CHK J. HAVENER 01FEB2005	
	1 PLC ± -	APVD J. HAVENER 01FEB2005	
	2 PLC ± 0.25 [.010]	PRODUCT SPEC	
MATERIAL -	FINISH SEE TABLE	APPLICATION SPEC -	NAME 50 OHM PLUG ASSY, STRAIGHT, CABLE MOUNT, SMB
CUSTOMER DRAWING		WEIGHT -	SIZE A2 CAGE CODE 00779 DRAWING NO C=5414946 RESTRICTED TO -
		SCALE 8:1	SHEET 1 of 1 REV B2

## X-ON Electronics

Largest Supplier of Electrical and Electronic Components

*Click to view similar products for [RF Connectors](#) / [Coaxial Connectors](#) category:*

*Click to view products by [TE Connectivity](#) manufacturer:*

Other Similar products are found below :

[R125315120](#) [8915-1511-000](#) [89674-0827](#) [5916-1103-603](#) [0106-001-000](#) [6-0001-3](#) [6001-7071-019](#) [6002-7051-003](#) [6002-7551-202](#) [6059674-1](#) [619550-1](#) [630059-000](#) [M39012/25-0021](#) [M39012/79-3008](#) [M39030/3-01N](#) [M39030/3-03N](#) [M3933/25-29N](#) [M3933/25-36N](#) [6500-7071-046](#) [6501-1071-002](#) [M83723/72W24576](#) [M83723/72W2457N](#) [6769](#) [CX050L2AQ](#) [7002-1541-010](#) [7003-1572-002](#) [7004-1512-000](#) [7009-1511-004](#) [7010-1511-000](#) [7029-1511-060](#) [7101-1541-010](#) [7101-1571-002](#) [7105-1521-002](#) [7145-1521-002](#) [7209-1511-011](#) [7210-1511-012](#) [7210-1511-015](#) [7210-1511-019](#) [7210-1511-040](#) [7225-1512-050](#) [7242-1511-000](#) [73137-5015](#) [73216-2241](#) [73251-0111](#) [73251-0672](#) [73276-1501](#) [73366-0013](#) [73404-2300](#) [73413-6080](#) [734151610](#)