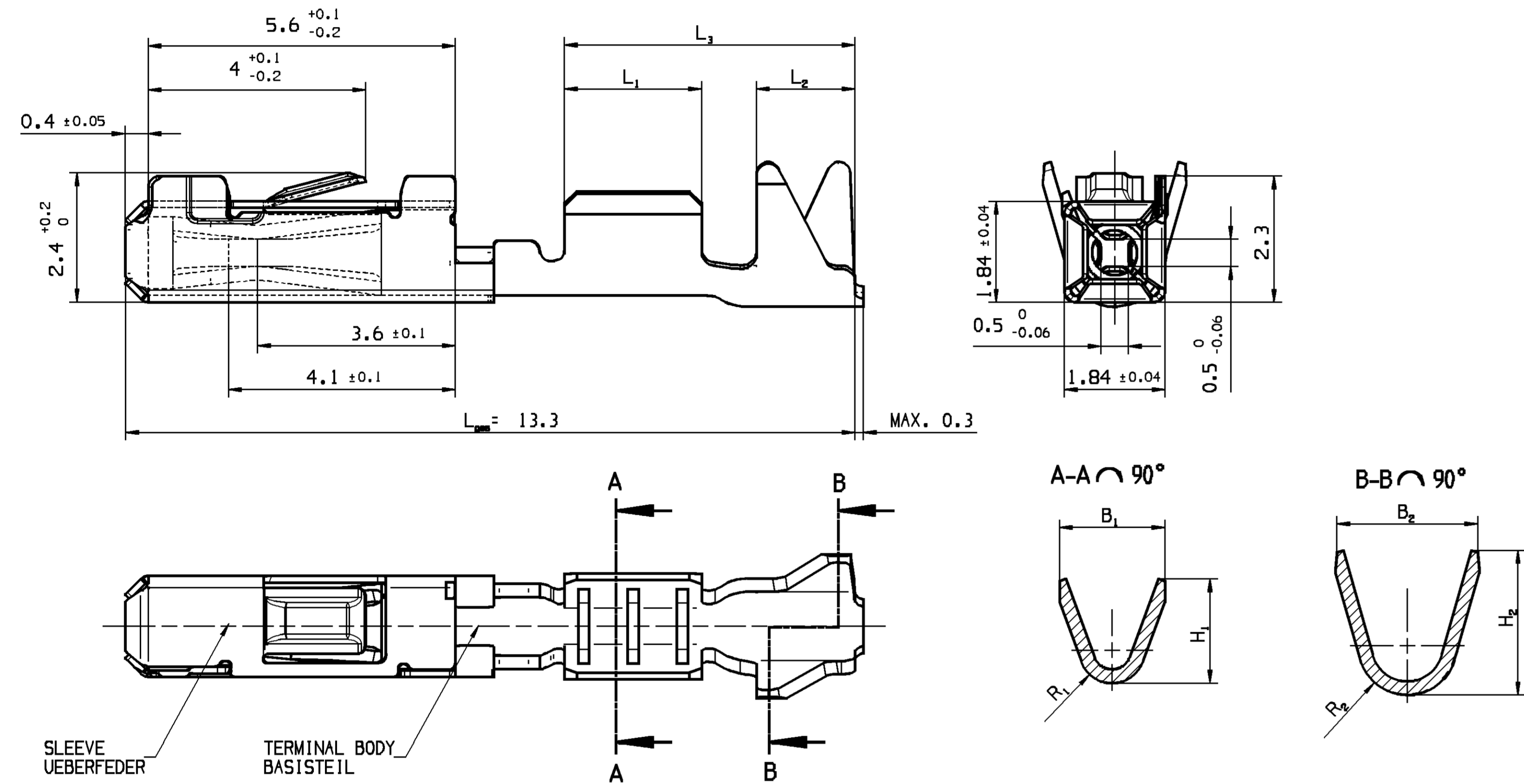


| KEY PRODUCT CHARACTERISTICS | | | |
|-----------------------------|-----------------|------------------|-----------|
| SAFETY/COMPLIANCE | FIT/FUNCTION | TOTAL ON DRAWING | 0 |
| S/C CHECKPOINTS | F/F CHECKPOINTS | LAST NO. USED | 0 |
| ID. & TYPE | DESCRIPTION | RATIONALE | PTS. ZONE |

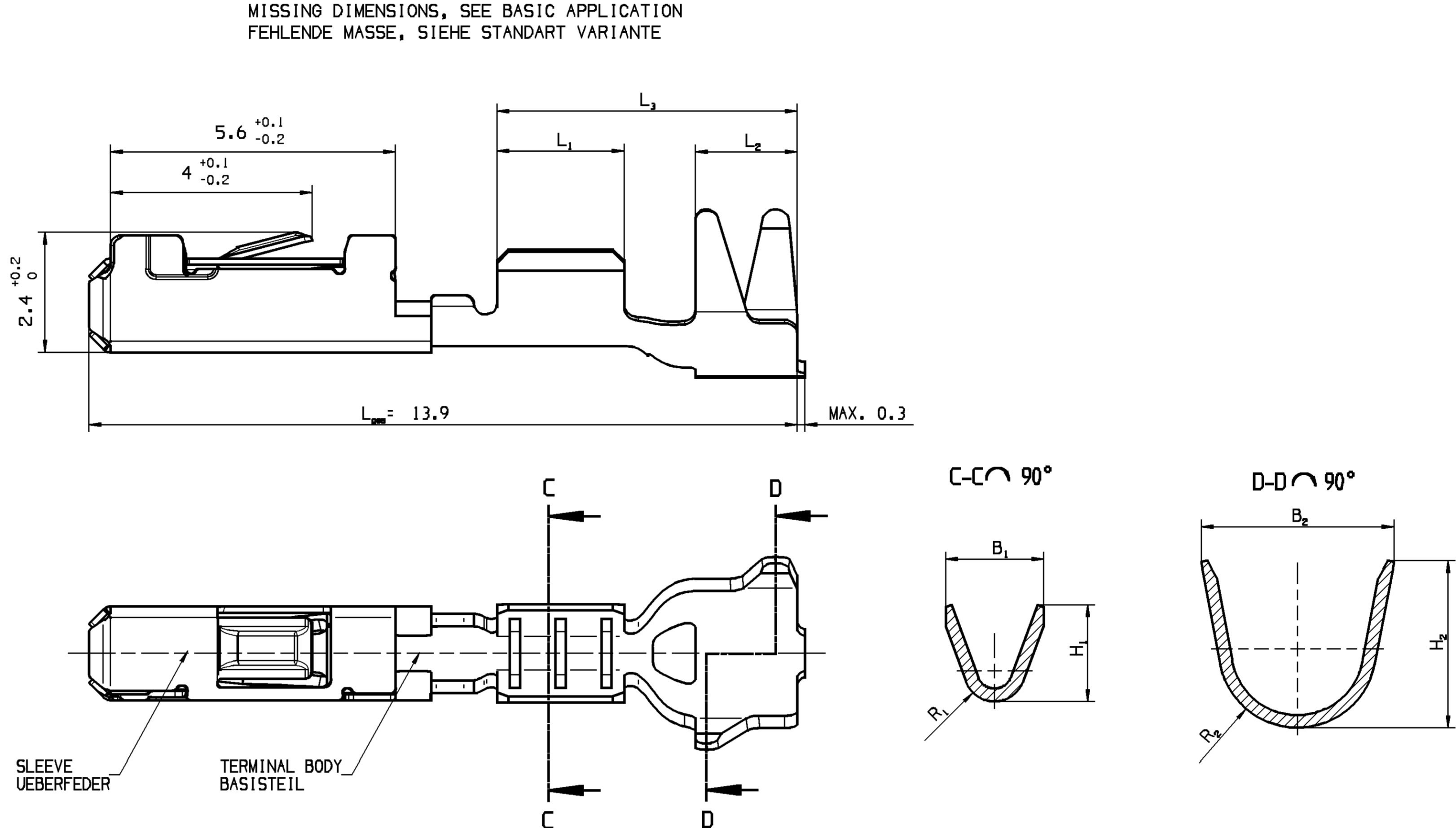
| L ₁ | L ₂ | L ₃ | R _e | R ₁ | H ₁ | H ₂ | B ₂ | B ₁ | PITCH TRANSP. | CABLE-TYPE LTG.-TYP | MATERIAL SLEEVE/UEBERFEDER WERKSTOFF | SURFACE SLEEVE/UEBERFEDER OBERFLAECHE | MATERIAL TERM. BODY/BASISTEIL WERKSTOFF | SURFACE TERM. BODY/BASISTEIL OBERFLAECHE | CROSS SECTION QUERSCH. | APPLICATION AUSFUEHRUNG | ASSEMBLY PART-NO. | PART-REV. | DATE DATUM | | |
|----------------|----------------|----------------|----------------|----------------|----------------|----------------|----------------|----------------|---------------|---------------------|--------------------------------------|---------------------------------------|---|--|------------------------|-------------------------|---------------------|-----------|------------|--------|-----|
| 13.3 | 5.3 | 1.8 | 2.5 | 0.9 | 0.6 | 2.64 | 1.9 | 2.57 | 1.93 | 5.08 | FLRY-B | X12c-Ni 177 | BLANK | CuNiSi | r, Sn3 | 0.35-0.50 | BASIC-APPLICATION | 15440179 | 01 | 09AU04 | |
| 13.3 | 5.3 | 1.8 | 2.5 | 0.9 | 0.8 | 3.23 | 2.52 | 2.82 | 2.57 | 10.16 | FLRY-B | X12c-Ni 177 | BLANK | CuNiSi | r, Sn3 | 0.60-0.75 | BASIC-APPLICATION | 15440181 | 01 | 09AU04 | |
| 13.3 | 5.3 | 1.8 | 2.5 | 0.9 | 0.6 | 2.64 | 1.9 | 2.57 | 1.93 | 5.08 | FLRY-B | X12c-Ni 177 | BLANK | CuNiSi | se1, Au | 0.35-0.50 | BASIC-APPLICATION | 15440183 | 01 | 09AU04 | |
| 13.3 | 5.3 | 1.8 | 2.5 | 0.9 | 0.8 | 3.23 | 2.52 | 2.82 | 2.57 | 10.16 | FLRY-B | X12c-Ni 177 | BLANK | CuNiSi | se1, Au | 0.60-0.75 | BASIC-APPLICATION | 15440185 | 01 | 09AU04 | |
| 13.3 | 5.3 | 1.8 | 2.5 | 0.9 | 0.6 | 2.64 | 1.9 | 2.57 | 1.93 | 5.08 | FLRY-B | X12c-Ni 177 | BLANK | CuNiSi | twIn-def, se1, Au | 0.35-0.50 | BASIC-APPLICATION | --- | --- | --- | --- |
| 13.3 | 5.3 | 1.8 | 2.5 | 0.9 | 0.8 | 3.23 | 2.52 | 2.82 | 2.57 | 10.16 | FLRY-B | X12c-Ni 177 | BLANK | CuNiSi | twIn-def, se1, Au | 0.60-0.75 | BASIC-APPLICATION | --- | --- | --- | --- |
| 13.9 | 5.9 | 2.0 | 2.5 | 1.55 | 0.6 | 3.29 | 1.9 | 3.79 | 1.93 | 10.16 | FLRY-B | X12c-Ni 177 | BLANK | CuNiSi | r, Sn3 | 0.35-0.50 | SINGLE/SEALED-APPL. | --- | --- | --- | --- |
| 13.9 | 5.9 | 2.0 | 2.5 | 1.55 | 0.8 | 3.29 | 2.52 | 3.79 | 2.57 | 10.16 | FLRY-B | X12c-Ni 177 | BLANK | CuNiSi | r, Sn3 | 0.60-0.75 | SINGLE/SEALED-APPL. | --- | --- | --- | --- |
| 13.9 | 5.9 | 2.0 | 2.5 | 1.55 | 0.6 | 3.29 | 1.9 | 3.79 | 1.93 | 10.16 | FLRY-B | X12c-Ni 177 | BLANK | CuNiSi | se1, Au | 0.35-0.50 | SINGLE/SEALED-APPL. | --- | --- | --- | --- |
| 13.9 | 5.9 | 2.0 | 2.5 | 1.55 | 0.8 | 3.29 | 2.52 | 3.79 | 2.57 | 10.16 | FLRY-B | X12c-Ni 177 | BLANK | CuNiSi | se1, Au | 0.60-0.75 | SINGLE/SEALED-APPL. | --- | --- | --- | --- |
| 13.3 | 5.3 | 1.8 | 2.5 | 0.9 | 0.6 | 2.64 | 1.9 | 2.57 | 1.93 | 5.08 | FPC | X12c-Ni 177 | BLANK | CuNiSi | r, Sn3 | --- | FPC-APPLICATION | --- | --- | --- | --- |
| 13.3 | 5.3 | 1.8 | 2.5 | 0.9 | 0.6 | 2.64 | 1.9 | 2.57 | 1.93 | 5.08 | FPC | X12c-Ni 177 | BLANK | CuNiSi | se1, Au | --- | FPC-APPLICATION | --- | --- | --- | --- |

| ZONE | DATE | NAME | CHECK | STOCK |
|------|------|------|-------|-------|
| 01 | | | | |

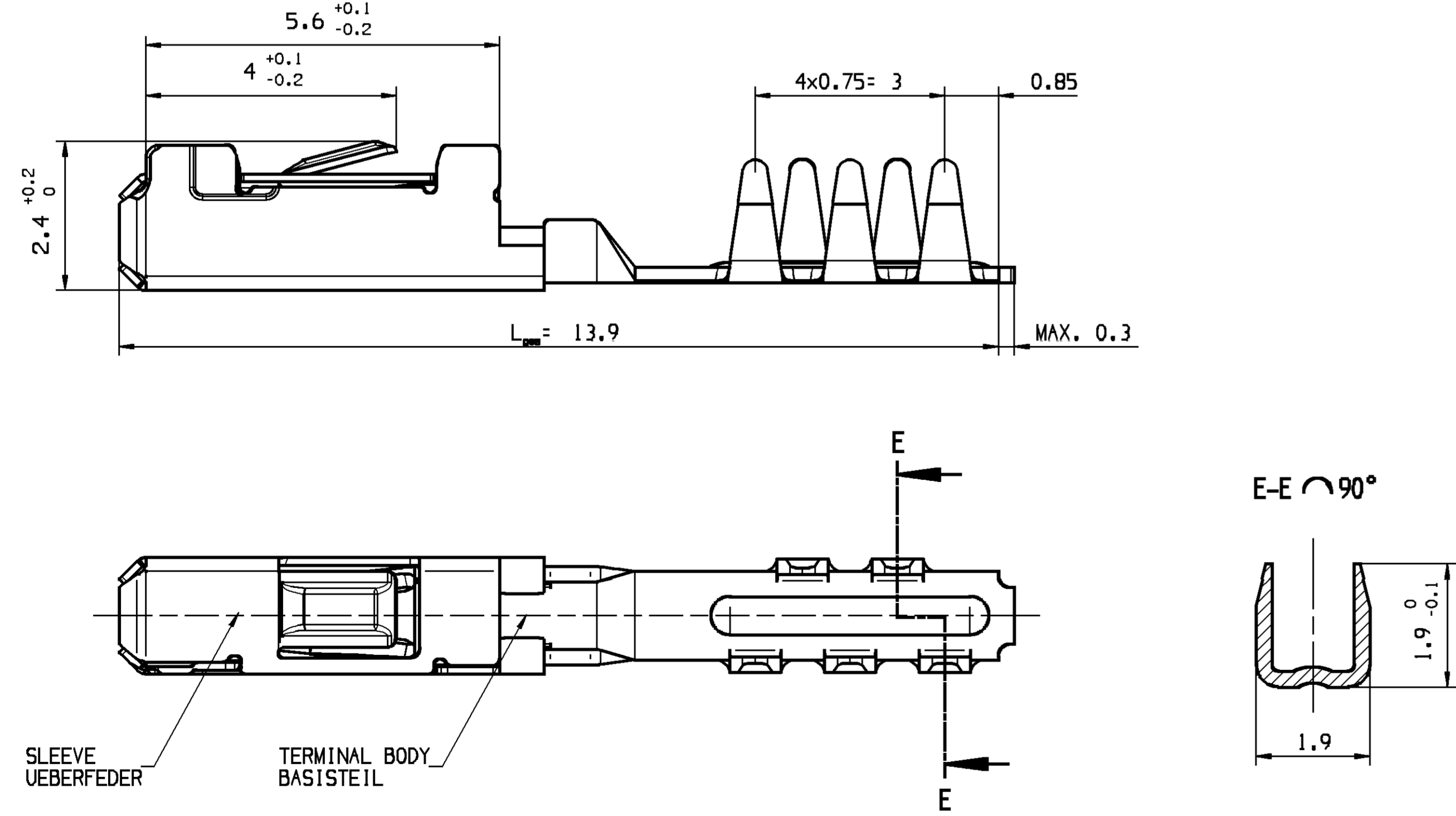
BASIC APPLICATION / STANDART VARIANTE



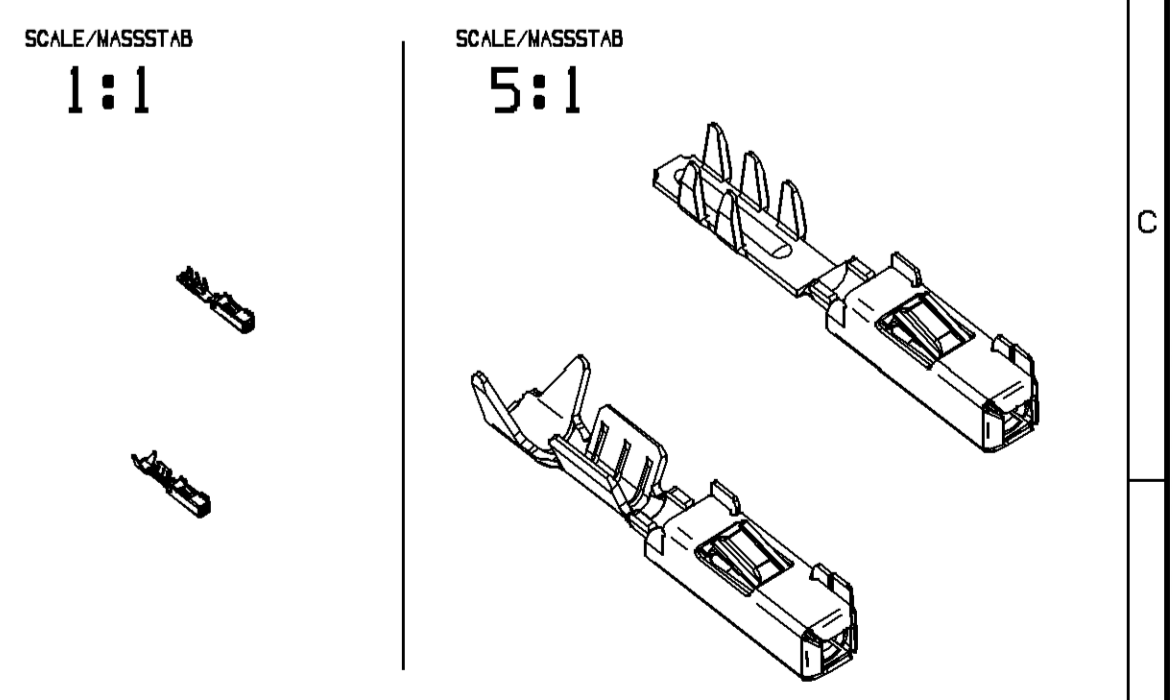
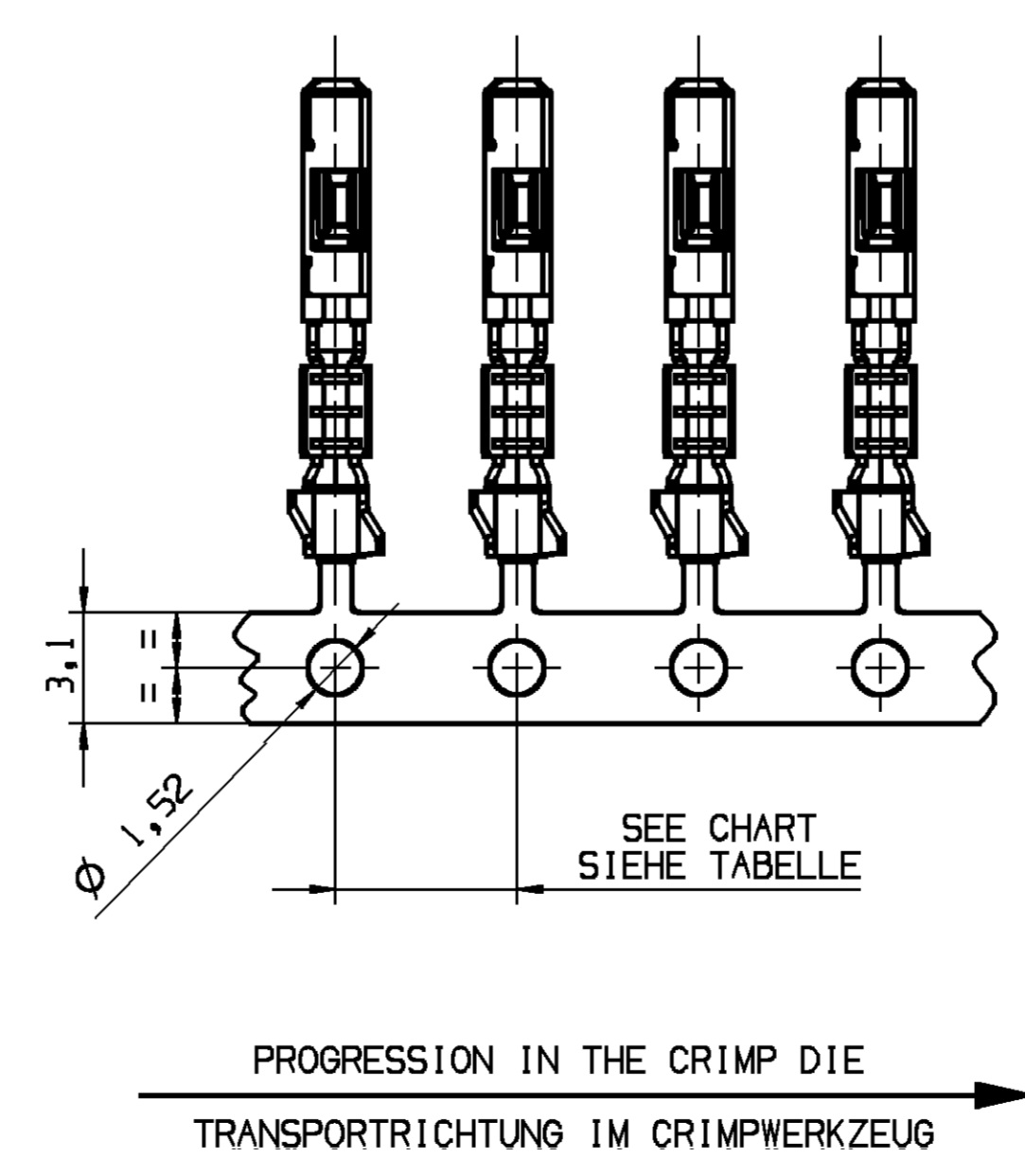
SINGLE CONDUCTOR SEALED / EINZELADLER GEDICHTETE VARIANTE



FLEXIBLE-PRINTED-CIRCUIT APPLICATION / FPC VARIANTE



VIEW OF THE CARRIER STRIP IS NOT IN SCALE
ABBILDUNG DES ANBINDUNGSSTREIFENS NICHT MASSSTABLICH



DELPHI D - 42119 WUPPERTAL

SEE CHART / SIEHE TABELLE

MICRO TERMINAL SYSTEM II 0.64 FEMALE TERMINAL VERSION II
MICRO TERMINAL SYSTEM II 0.64 STECKHUELSE I AUSFUEHRUNG II

PROJECTION 15440177 01-01 KZUS 10:1 1:1:5:1

DATE 09AU04 M. SACH

DESIGNED BY OSWAUD M. SACH

DRAWN BY OSWAUD M. SACH

CHECKED BY OSWAUD M. SACH

APPROVED BY OSWAUD M. SACH

SCALE: 10:1

FORM 10

DELPHI

DELPHI