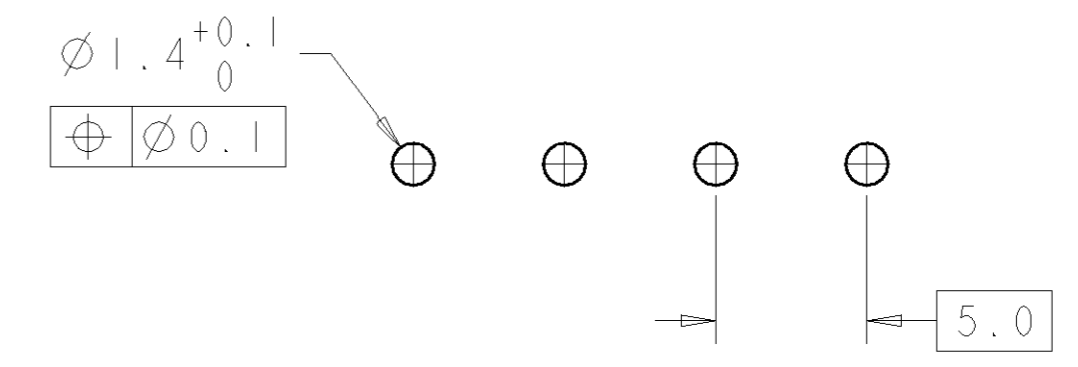
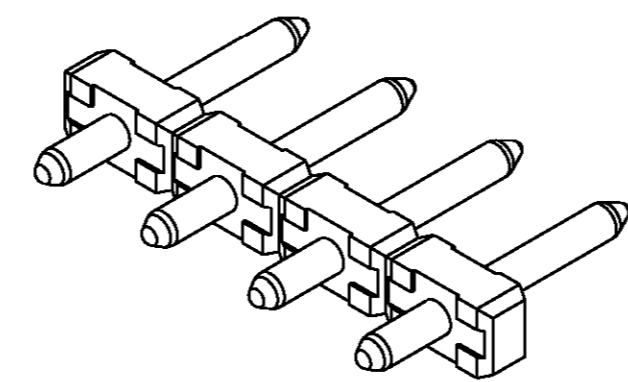
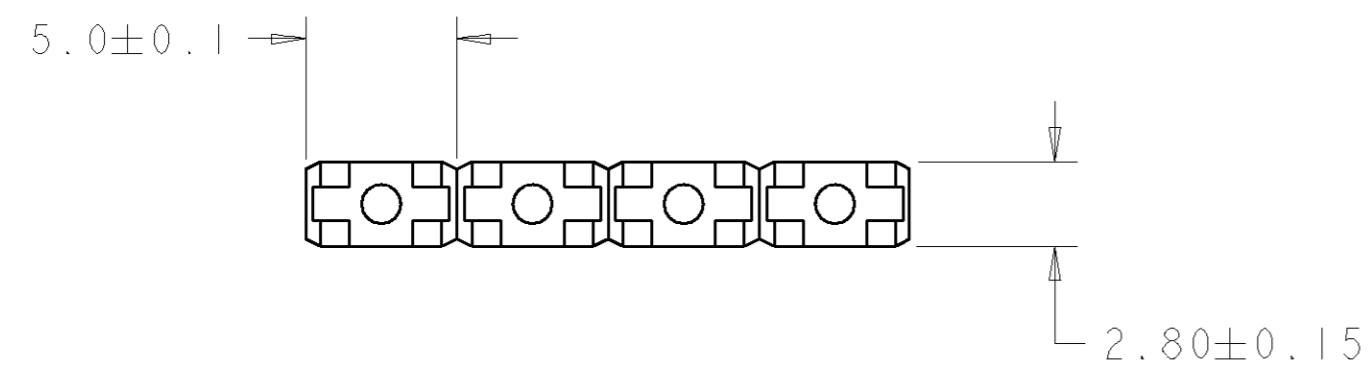


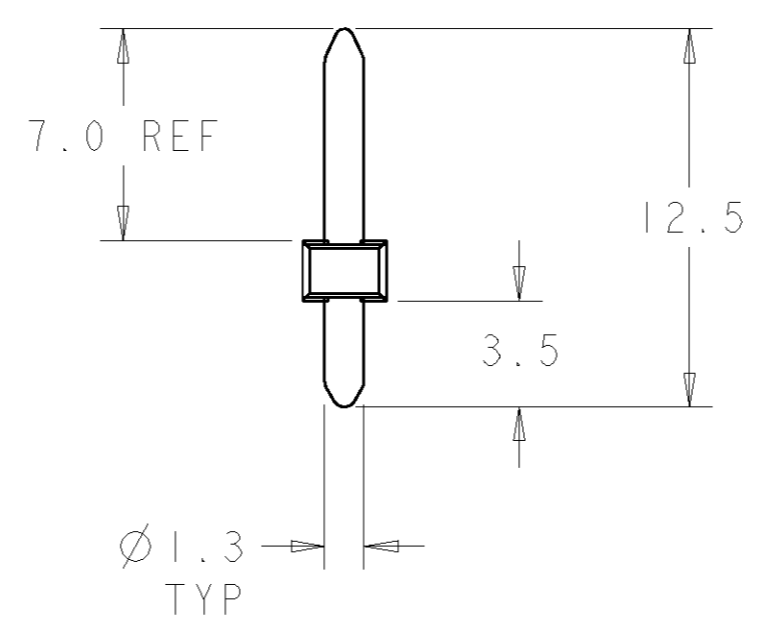
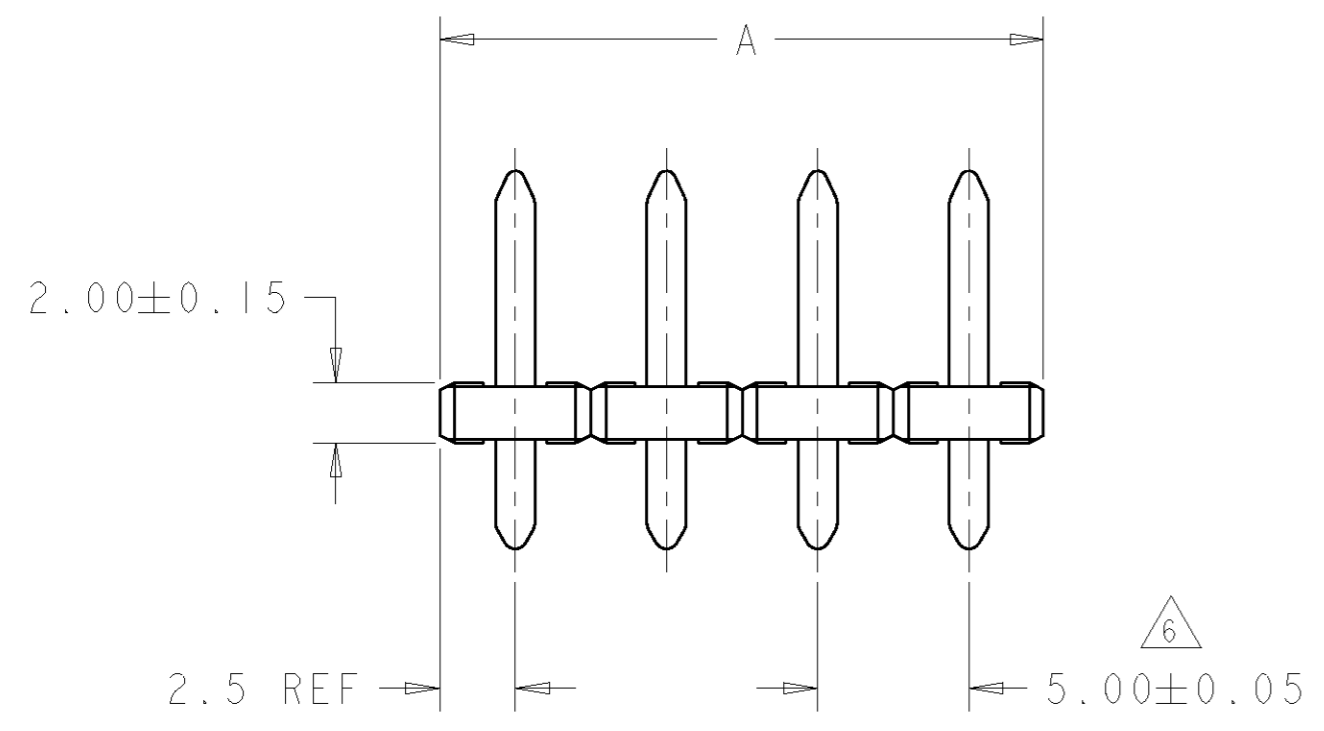
THIS DRAWING IS UNPUBLISHED. RELEASED FOR PUBLICATION 20
 © COPYRIGHT 20 BY TYCO ELECTRONICS CORPORATION. ALL RIGHTS RESERVED.

| LOC | DIST | REVISIONS | | | |
|-----|------|-------------|----------|-----------|-------|
| P | LTR | DESCRIPTION | DATE | DWN | APVD |
| FT | 0 | 0 | RELEASED | 08JAN2003 | SW CR |



1546019-4 AS SHOWN

RECOMMENDED PC BOARD LAYOUT



| | | |
|-----|------------|-------------|
| 125 | 25 | 2-1546019-5 |
| 120 | 24 | 2-1546019-4 |
| 115 | 23 | 2-1546019-3 |
| 110 | 22 | 2-1546019-2 |
| 105 | 21 | 2-1546019-1 |
| 100 | 20 | 2-1546019-0 |
| 95 | 19 | 1-1546019-9 |
| 90 | 18 | 1-1546019-8 |
| 85 | 17 | 1-1546019-7 |
| 80 | 16 | 1-1546019-6 |
| 75 | 15 | 1-1546019-5 |
| 70 | 14 | 1-1546019-4 |
| 65 | 13 | 1-1546019-3 |
| 60 | 12 | 1-1546019-2 |
| 55 | 11 | 1-1546019-1 |
| 50 | 10 | 1-1546019-0 |
| 45 | 9 | 1546019-9 |
| 40 | 8 | 1546019-8 |
| 35 | 7 | 1546019-7 |
| 30 | 6 | 1546019-6 |
| 25 | 5 | 1546019-5 |
| 20 | 4 | 1546019-4 |
| 15 | 3 | 1546019-3 |
| 10 | 2 | 1546019-2 |
| A | NO OF POSN | PART NUMBER |

- △ MATERIALS AND FINISH:
 HOUSING: PA 6-6, UL 94-V0, COLOR: BLACK.
 TERMINAL: BRASS, TIN PLATED.
- SUITABLE FOR 1,6-2,4mm PC BOARD THICKNESS.
 - END-TO-END STACKABLE WITHOUT LOSS OF CENTERLINE SPACING.
 - RECOGNIZED UNDER THE COMPONENT PROGRAM OF UNDERWRITERS LABORATORIES INC. FILE N° E60677.
 - IMQ CERTIFICATE WITH SURVEILLANCE IN CONFORMITY WITH IEC 998-1/998-2-1.
- △ NOT CUMULATIVE TOLERANCE.

| | | | | |
|--|--|---------------------------------|---|--------------------|
| THIS DRAWING IS A CONTROLLED DOCUMENT FOR TYCO ELECTRONICS CORPORATION IT IS SUBJECT TO CHANGE AND THE CONTROLLING ENGINEERING ORGANIZATION SHOULD BE CONTACTED FOR THE LATEST REVISION. | | DWN S. WELDON 08JAN2003 | Tyco Electronics Harrisburg, PA 17105-3608 | |
| DIMENSIONS: mm | | CHK C. RICHARD 08JAN2003 | NAME TERMINAL BLOCK PIN HEADER UNSHROUDED 5.0 mm PITCH | |
| TOLERANCES UNLESS OTHERWISE SPECIFIED: 0 PLC ±.3 1 PLC ±.25 2 PLC ±.25 3 PLC ±. 4 PLC ±. ANGLES ±° | | APVD C. RICHARD 08JAN2003 | | |
| MATERIAL | | PRODUCT SPEC 108-20166 | SIZE A2 | CAGE CODE 00779 |
| FINISH | | APPLICATION SPEC 114-20079 | DRAWING NO 1546019 | RESTRICTED TO - |
| △ - | | WEIGHT - | CUSTOMER DRAWING | |
| | | SCALE 4:1 | SHEET 1 | REV 0 |

X-ON Electronics

Largest Supplier of Electrical and Electronic Components

Click to view similar products for [Pluggable Terminal Blocks](#) category:

Click to view products by [TE Connectivity](#) manufacturer:

Other Similar products are found below :

[57.404.7553](#) [57.504.0053.7](#) [57.510.0053](#) [57.910.6153](#) [01.112.1453](#) [CTB932VE/6](#) [MC 1.5/ 6-ST-3.5 GY AU](#) [ET02015000J0G](#) [734-104](#) [734-302](#) [734-304](#) [8-141-P](#) [FKCT 2.5/ 3-ST KMGY](#) [860505](#) [860508](#) [860516](#) [860810](#) [861908](#) [GBPACX-12](#) [93.731.4953.0](#) [PV05-5,08-K](#) [PVP02-5,00](#) [PVP04-3,50](#) [PVS02-5,00](#) [1-1986160-3](#) [H-10](#) [1546228-5](#) [ELFH09150](#) [ELFH16150](#) [ELFP03110](#) [ELFT06250](#) [ELFT07250](#) [ELVF09400](#) [ELVP03100](#) [ELXH03100](#) [ELXH071G0E](#) [ELXP041G0](#) [ELXT046G0](#) [1700101](#) [1700410](#) [1700425](#) [1703176](#) [1705229](#) [1710175](#) [1714537](#) [1717806](#) [1719600](#) [1729386](#) [1734692](#) [1734795](#)