

INDUSTRIAL GRADE CERAMIC RESONATOR



Size Varies

AWCR-MD

Pb in ceramic
(exempt per RoHS 2002/95/EC Annex (7))

**RoHS
Compliant**

FEATURES:

- Excellent environmental resistance
- Industrial Grade
- Built-in capacitors save space & components
- Low cost timing solution
- Small size, Light weight

APPLICATIONS:

- Electric appliances
- Remote controls
- Microprocessor clocks
- Industrial controllers
- General timing

STANDARD SPECIFICATIONS:

Part Number (XX.XX denotes frequency in MHz)	Frequency Tolerance at 25°C	Frequency Stability at -40°C to +85°C	Aging in 10 years	IC Tested	Vdd	Total
AWCR-XX.XXMD 2.000 MHz - 6.00 MHz	± 0.5%	± 0.5%	±0.2%	MC14069UBP	5V	±0.9%
AWCR-XX.XXMD 6.01 MHz - 8.00 MHz	± 0.5%	± 0.5%	±0.2%	MC14069UBP	5V	±1.2%
AWCR-XX.XXMD 8.01 MHz - 13.49 MHz	± 0.5%	± 0.5%	±0.3%	MC14069UBP	12V	±1.2%
AWCR-XX.XXMD 13.50 MHz - 50.00 MHz	± 0.5%	± 0.5%	±0.2%	TC74HCU04	5V	±1.0%

ITEM	SPECIFICATION
Storage temperature:	-40°C to +125°C
Oscillation Frequency Range	± 0.3% max.
Capacitance Change	± 20% max.

FREQ (MHz)	H (max.)	C1=C2 (pF) ±20% built in
2.00 ~ 6.00	8.0	30.0
6.01 ~ 8.00	8.0	30.0
8.01 ~ 13.00	10.0	22.0
13.01 ~ 20.00	10.0	15.0
20.01 ~ 25.99	10.0	15.0
26.00 ~ 50.00	10.0	5.0

MARKING:

XX.XXMZY
 - XX.XX (Frequency in MHz)
 (First 3 digits of frequency) Ex: 4.00, 3.57, 2.44, 32.0;
 Z Month (A to L); Y Year 2 for 2002

OPTIONS AND PART IDENTIFICATION:

(Left blank if standard)

AWCR - XX.XXMD - CXX - Packaging

XX.XX: Freq in MHz

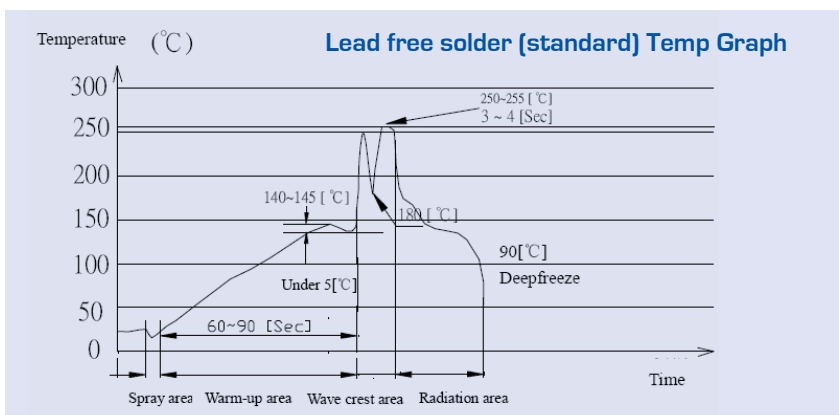
C Option:

Specify Cap value in pF

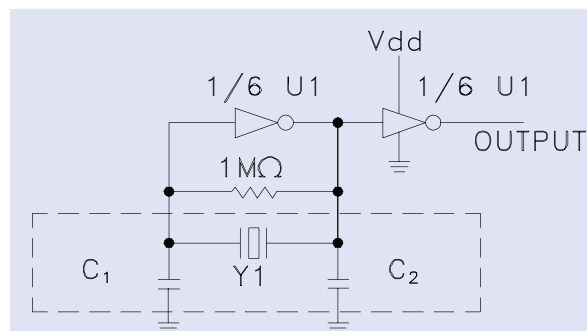
Packaging option:

Ammo for ammo packing

WAVE PEAK SOLDER PROFILE:



TEST CIRCUIT:



U1: CD4069UB
74HCU04

Y1: RESONATOR

Dimensions: inch (mm)

ABRACON IS
ISO 9001 / QS 9000
CERTIFIED



Visit www.abracon.com for Terms & Conditions of Sale **Revised: 07.16.07**
 30332 Esperanza, Rancho Santa Margarita, California 92688
 tel 949-546-8000 | fax 949-546-8001 | www.abracon.com

INDUSTRIAL GRADE CERAMIC RESONATOR



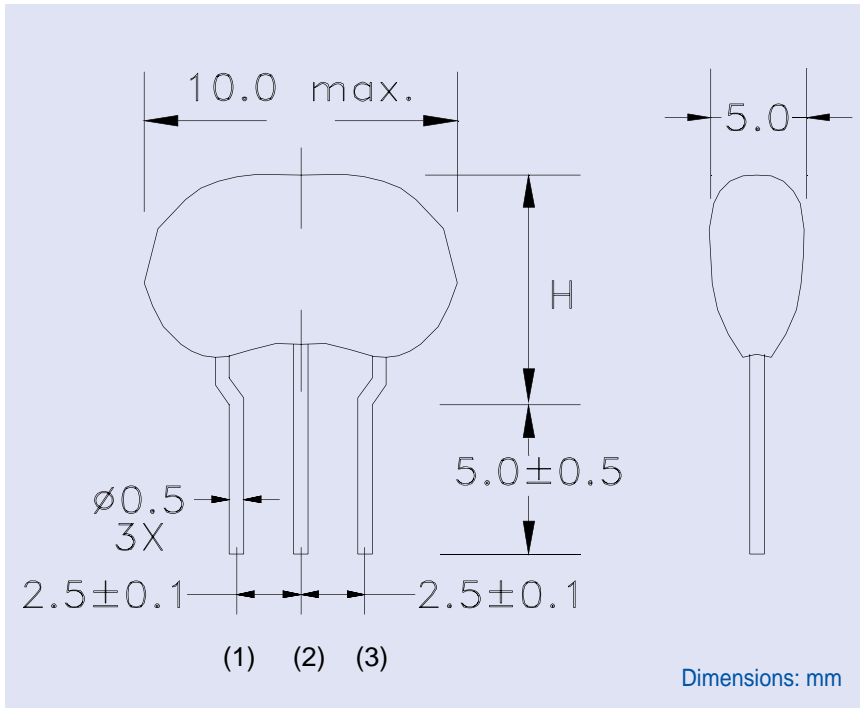
Size Varies

AWCR-MD

Pb in ceramic
(exempt per RoHS 2002/95/EC Annex (7))

RoHS
Compliant

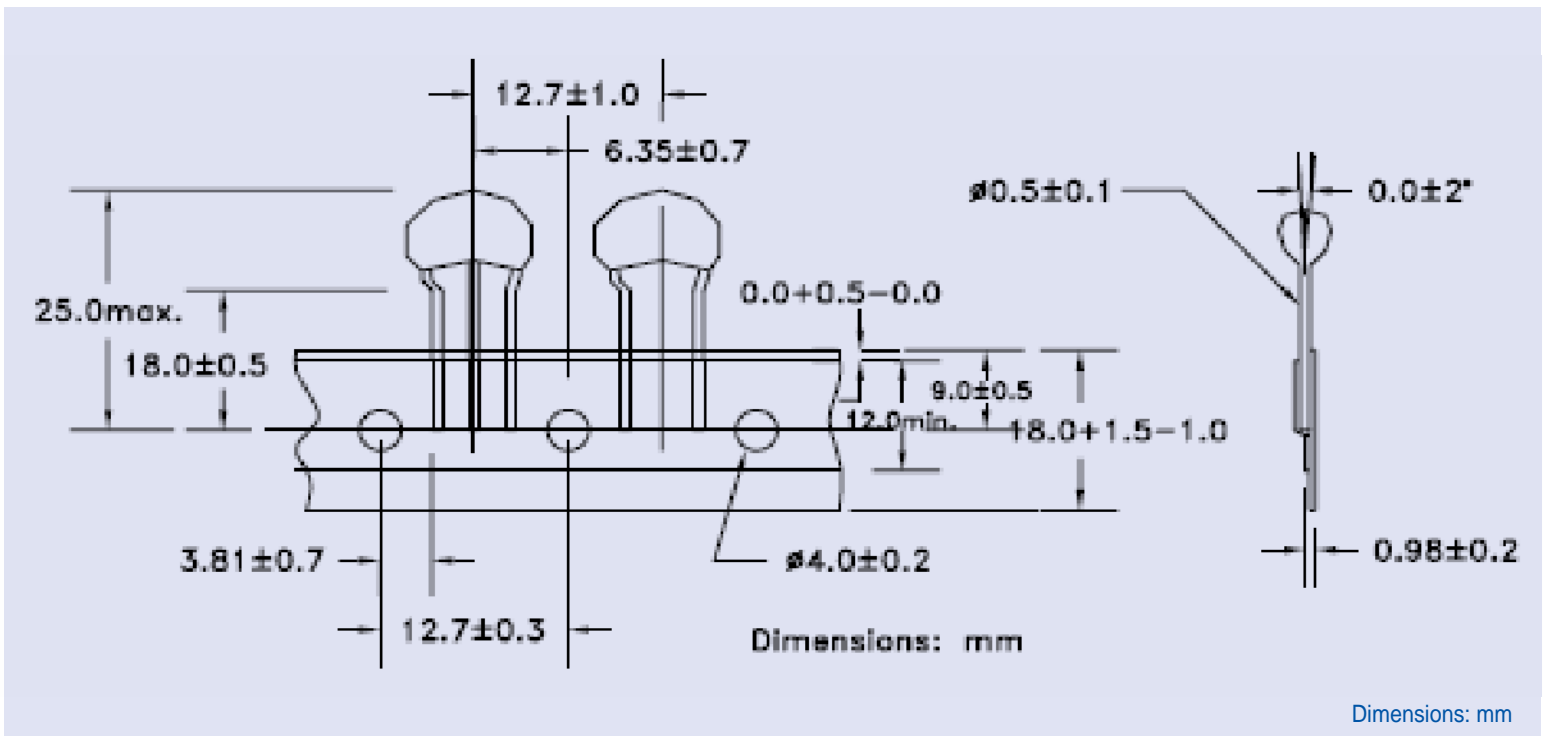
OUTLINE DRAWING:



pin	function
1	Input/Output
2	Ground
3	Output/Input

Frequency (MHz)	H (max.)	C1=C2 (pF) ±20% built in
2.00 ~ 6.00	8.0	30.0
6.01 ~ 8.00	8.0	30.0
8.01 ~ 13.00	10.0	22.0
13.01 ~ 20.00	10.0	15.0
20.01 ~ 25.99	10.0	15.0
26.00 ~ 50.00	10.0	5.0

TAPE & REEL: T = Tape and reel 1,000pcs/reel



X-ON Electronics

Largest Supplier of Electrical and Electronic Components

Click to view similar products for [Resonators](#) category:

Click to view products by [ABRACON](#) manufacturer:

Other Similar products are found below :

[B39431R820H210](#) [CSAC2.00MGCM-TC](#) [ECS-HFR-40.00-B-TR](#) [CSTLS4M00G53Z-A0](#) [ZTB455E](#) [ECS-CR2-16.00-A-TR](#) [ECS-HFR-20.00-B-TR](#) [ECS-CR2-20.00-A-TR](#) [RO3164E-3](#) [ASR418S2-T](#) [CSTNE10M0G520000R0](#) [CSTLS8M00G53093-A0](#) [CSTNE12M0G52A000R0](#) [CSTLS18M4X54-A0](#) [CSTLS16M9X53Z-B0](#) [CSTLS24M0X51-A0](#) [CSTLS25M0X51-B0](#) [CSTLS18M0X51-B0](#) [CSTLS4M00G53093-A0](#) [CSTLS18M4X53-A0](#) [CSTNE16M0V510000R0](#) [CSTLS30M0X53-B0](#) [CSTLS33M8X53-B0](#) [CSTLS16M9X53-A0](#) [CSTLS6M40G56-B0](#) [CSTLS6M25G56-A0](#) [CSTNE14M7V510000R0](#) [CSTLS18M4X53-B0](#) [CSTLS33M0X51-B0](#) [CSTLS5M50G56-B0](#) [7B008000I01](#) [7D038400I01](#) [TAXM24M2ILDBET2T](#) [TAXM26M2IHDBET2T](#) [146-32.768-12.5-20-20/A](#) [3225-24.00-12-10-10/A](#) [7B009843M01](#) [CF4016M00009T8188042](#) [S32400001B0730D1JB](#) [X252016MLB4SI](#) [Q24FA20H00389](#) [CSTLS16M0X54-B0](#) [CSTLS4M19G56-B0](#) [9AC04194152080D2JB](#) [CST3.58MGW](#) [CSTCR4M91G55B-R0](#) [CSTLS3M68G56-B0](#) [S2100327072090](#) [FC-12M32.768KHZ9PF20PPM](#) [7Y032768NW2](#)