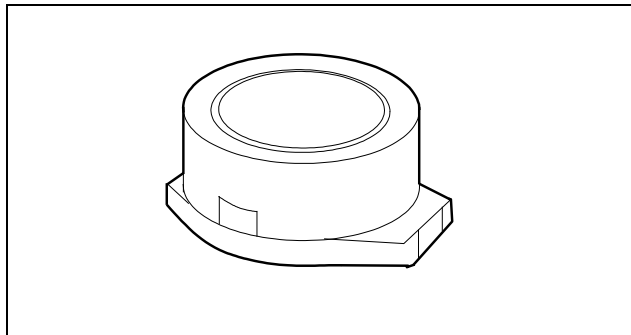


OUTLINE DIMENSIONS/RECOMMENDED PCB LAYOUT (inch/mm)



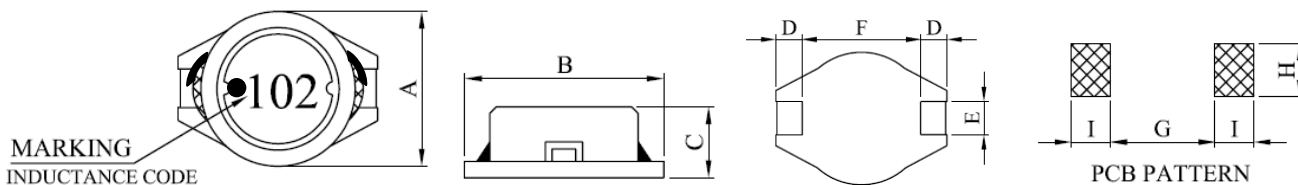
OUTLINE

Slim type.
Self shielded.
Height: 6mm Max.
Low resistance.
Excellent DC current characteristics.

APPLICATIONS

Laptop and Notebook computers and PDAs.
DC/DC converters.
Inductor for general purpose use.

Part No.	A	B	C	D	E	F	G	H	I
AX1005-102K	0.394 10.00	0.500 12.70	0.193 4.90	0.095 2.40	0.087 2.20	0.299 7.60	0.287 7.30	0.110 2.80	0.118 3.00



SPECIFICATIONS

Part Number	Inductance (uH± 10%) (Note 1)	Q REF	SRF (MHZ) TYP.	DC Resistance (Ωmax)	Rated Current(Amp) (Note 2)
AX1005-102K	1000.0	70	2.0	3.20	0.22

Note:1.Inductance measured at 1V, 100.0KHz without DC current.

2.Rated DC current is the approximate current at which inductance will be decreased by 10% from its initial (zero DC) value or the DC current at which $\Delta T=40^{\circ}\text{C}$, whichever is lower.

Storage Temp: -40 to 125°C

Operating Temp: -40 to 85°C

Resistance to Solder Heat: 260°C for 10 sec. Max

RoHS Compliance: As of manufacturing date February 2005, all standard products meet the requirements of 2011/65/EU, known as the RoHS initiative.

* Upon printing, this document is considered "uncontrolled". Please contact Triad Magnetics' website for the most current version

X-ON Electronics

Largest Supplier of Electrical and Electronic Components

Click to view similar products for [Fixed Inductors](#) category:

Click to view products by [Triad](#) manufacturer:

Other Similar products are found below :

[MLZ1608M6R8WTD25](#) [MLZ1608N6R8LT000](#) [MLZ1608N3R3LTD25](#) [MLZ1608N3R3LT000](#) [MLZ1608N150LT000](#)
[MLZ1608M150WTD25](#) [MLZ1608M3R3WTD25](#) [MLZ1608M3R3WT000](#) [MLZ1608M150WT000](#) [MLZ1608A1R5WT000](#)
[MLZ1608N1R5LT000](#) [B82432C1333K000](#) [PCMB053T-1R0MS](#) [PCMB053T-1R5MS](#) [PCMB104T-1R5MS](#) [CR32NP-100KC](#) [CR32NP-151KC](#) [CR32NP-180KC](#) [CR32NP-181KC](#) [CR32NP-1R5MC](#) [CR32NP-390KC](#) [CR32NP-3R9MC](#) [CR32NP-680KC](#) [CR32NP-820KC](#)
[CR32NP-8R2MC](#) [CR43NP-390KC](#) [CR43NP-560KC](#) [CR43NP-680KC](#) [CR54NP-181KC](#) [CR54NP-470LC](#) [CR54NP-820KC](#) [CR54NP-8R5MC](#)
[MGDQ4-00004-P](#) [MGDU1-00016-P](#) [MHL1ECTTP18NJ](#) [MHL1JCTTD12NJ](#) [PE-51506NL](#) [PE-53601NL](#) [PE-53630NL](#) [PE-53824SNLT](#) [PE-62892NL](#) [PE-92100NL](#) [PG0434.801NLT](#) [PG0936.113NLT](#) [PM06-2N7](#) [PM06-39NJ](#) [HC2LP-R47-R](#) [HC2-R47-R](#) [HC3-2R2-R](#) [HC8-1R2-R](#)