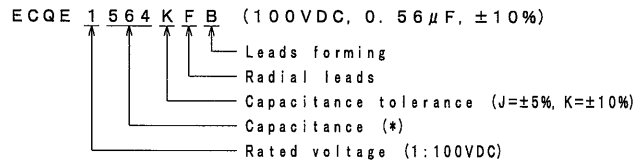


THIRD ANGLE PROJECTION

ITEM CODE	RATED VOLTAGE	CAP. μF ( * )	DIMENSIONS					MARKING STYLE	FORMING TYPE
			L	T	H	S	d		
ECQE1564 ( ) FB	100VDC	0.56 (564)	12.0	5.5	10.9	10.0	0.6	1	D
" 1684 ( ) FB	"	0.68 (684)	"	6.0	11.9	"	"	"	"
" 1824 ( ) FB	"	0.82 (824)	"	"	13.5	"	"	"	"
" 1105 ( ) FB	"	1.0 (105)	"	6.7	14.0	"	"	"	"
" 1125 ( ) FB	"	1.2 (125)	18.5	5.5	12.8	"	"	2	B
" 1155 ( ) FB	"	1.5 (155)	"	6.0	13.4	"	0.8	"	"
" 1185 ( ) FB	"	1.8 (185)	"	6.5	14.4	"	"	"	"
" 1225 ( ) FB	"	2.2 (225)	"	7.0	15.0	"	"	"	"
" 1275 ( ) FB	"	2.7 (275)	"	8.0	15.8	"	"	"	"
" 1335 ( ) FB	"	3.3 (335)	"	8.5	16.5	"	"	"	"
" 1395 ( ) FB	"	3.9 (395)	26.0	7.0	16.4	15.0	"	"	"
" 1475 ( ) FB	"	4.7 (475)	"	7.5	17.0	"	"	"	"
" 1565 ( ) FB	"	5.6 (565)	"	8.3	17.5	"	"	"	"
" 1685 ( ) FB	"	6.8 (685)	"	9.0	18.5	"	"	"	"
" 1825 ( ) FB	"	8.2 (825)	"	10.0	20.0	"	"	"	"
" 1106 ( ) FB	"	10.0 (106)	"	11.5	21.0	"	"	"	"

TOL. SYMBOL (J or K)

ITEM CODE NUMBER STRUCTURE



CONSTRUCTION

The capacitor is of non-inductive construction, wound with metallized polyester film dielectric.  
The capacitor is enclosed in non-combustible epoxy resin and has two leads.

MARKING

Marking comprises capacitance, capacitance tolerance, rated voltage, manufacturer's trademark (STYLE 2 only) and date code.

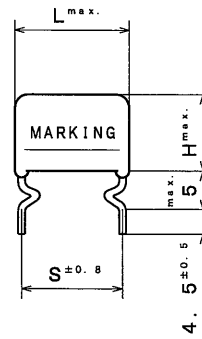
PROPERTIES

Capacitance : See table at 1kHz  
 Capacitance tolerance : ±5% (J), ±10% (K) at 1kHz  
 Rated voltage : 100VDC  $\Delta\Delta$  (Derating of rated voltage by 1.25%/°C at more than 85°C)  
 Withstand voltage : 100VDCX150% for 60s  
 Insulation resistance :  $\geq 3000\Omega \cdot \mu F$  at 100VDC, 20°C for 60s  
 Dissipation factor :  $\leq 1.0\%$  at 1kHz, 20°C  
 Category temperature range :  $\Delta$  From -40°C to +105°C (including temperature rise on unit surface)

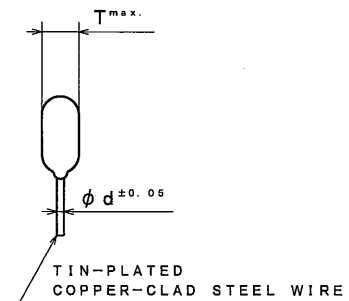
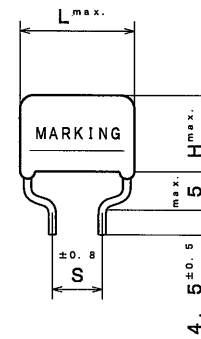
ALTERATION		
ISSUE	DESCRIPTION	DATE
$\Delta$	Company name changed	Apr. 1 2006
$\Delta$	Correction: category temperature range (-40°C~+85°C~-40°C~+105°C) Addition: rated voltage (Derating of rated voltage by 1.25%/C at more than 85°C)	Jan. 22 2008
$\Delta$	Company name changed Error correction	Apr. 1 2008
$\Delta$	Company name changed	Apr. 1 2012
$\Delta$	Company name changed	Apr. 1 2013
$\Delta$	Company name changed	Apr. 1 2015

SPECIFICATIONS No.  
TEB7174H

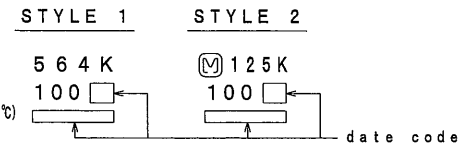
TYPE D



TYPE B



MARKING EXAMPLE



Reference

DESIGN	<i>M. Inohara</i>
CHECKED	<i>K. Osaki</i>
APPROVAL	<i>Y. Takata</i>
ESTABLISHMENT	Dec. 5. 2005
TYPE NAME	
ECQE1*** ( ) FB	
NAME Metallized Polyester Film Capacitor	
DRAWING NAME	
PRODUCT DRAWING	
DRAWING No.	
5076M-J-E (1/1)	

Toyama-Matsue Plant  
Device Solutions Business Division  
Panasonic Corporation

## X-ON Electronics

Largest Supplier of Electrical and Electronic Components

*Click to view similar products for [Film Capacitors](#) category:*

*Click to view products by [Panasonic](#) manufacturer:*

Other Similar products are found below :

[F339X134748MIP2T0](#) [F450KG153J250ALH0J](#) [750-1018](#) [FKP1-1500160010P15](#) [FKP1R031007D00JYSD](#) [FKP1R031507E00JYSD](#)  
[FKP1U024707E00KYSD](#) [82DC4100CK60J](#) [82EC1100DQ50K](#) [PFR5101J100J11L16.5TA18](#) [PME261JB5220KR19T0](#) [A451GK223M040A](#)  
[A561ED221M450A](#) [QXJ2E474KTPT](#) [QXL2B333KTPT](#) [R49AN347000A1K](#) [EEC2G505HQA406](#) [B25668A6676A375](#) [B25673A4282E140](#)  
[BFC233868148](#) [BFC2370GC222](#) [C3B2AD44400B20K](#) [C4ASWBU3220A3EK](#) [CB027C0473J--](#) [CB177I0184J--](#) [CB182K0184J--](#) [23PW210](#)  
[950CQW5H-F](#) [SBDC3470AA10J](#) [SCD105K122A3-22](#) [2N3155](#) [A571EH331M450A](#) [FKP1-2202KV5P15](#) [FKS3-680040010P10](#)  
[QXL2E473KTPT](#) [445450-1](#) [B25669A3996J375](#) [46KI322000M1M](#) [46KR415050M1K](#) [4BSNBX4100ZBFJ](#) [MKP383510063JKP2T0](#)  
[MKPY2-.02230020P15](#) [MKT 1813-368-015](#) [4055292001](#) [46KN410000N1K](#) [EEC2E106HQA405](#) [EEC2G205HQA402](#) [EEC2G805HQA415](#)  
[P409CP224M250AH470](#) [82EC2150DQ50K](#)