


# CAMBLOCK

## 5.08mm Pitch Pluggable Rising Clamp Terminal

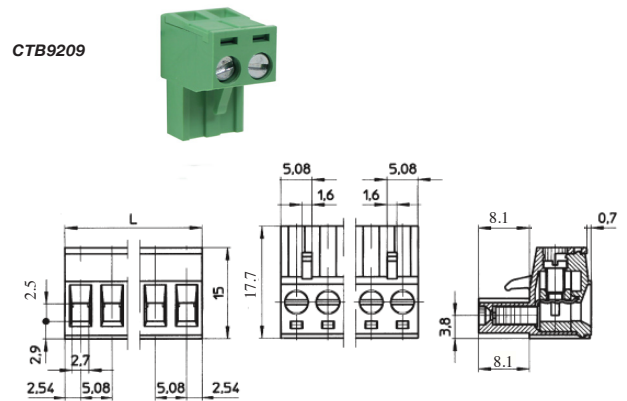
- 2-24 pole solid block
- Pluggable male-female connectors
- Open & closed headers
- Horizontal & vertical female plug styles
- Polarised mouldings
- Moulded in green UL94-V0 flame retardant PA66
- Professional rising clamp terminals
- 0.33-2mm<sup>2</sup> (22-14AWG) solid & stranded cable
- Captive screws
- Guided pin alignment
-  us approved

### SPECIFICATION

Rating	15A 300V
Insulation resistance	1000MΩ/1000V
Withstand Voltage	AC1500V/1min
Contact Resistance	20mΩ
Working Temperature	-40°C to +105°C
Mouldings	UL94-V0 flame retardant PA66
Pin/Terminal	Tin plated brass
Screw/Torque	M2.5 Steel, Nickel Plated 0.4Nm
Recommended PCB hole size	ø1.7mm

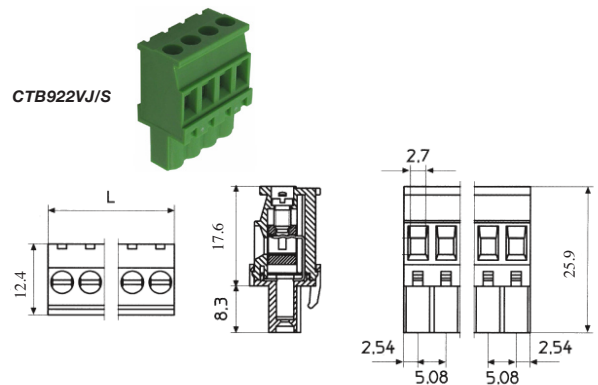
### Female connector

TYPE NO.	POLES	LENGTH	TYPE NO.	POLES	LENGTH
CTB9209/2	2	10.2mm	CTB9209/14	14	71.1mm
CTB9209/3	3	15.2mm	CTB9209/15	15	76.2mm
CTB9209/4	4	20.3mm	CTB9209/16	16	81.3mm
CTB9209/5	5	25.4mm	CTB9209/17	17	86.4mm
CTB9209/6	6	30.5mm	CTB9209/18	18	91.4mm
CTB9209/7	7	35.6mm	CTB9209/19	19	96.5mm
CTB9209/8	8	40.6mm	CTB9209/20	20	101.6mm
CTB9209/9	9	45.7mm	CTB9209/21	21	106.7mm
CTB9209/10	10	50.8mm	CTB9209/22	22	111.8mm
CTB9209/11	11	55.9mm	CTB9209/23	23	116.8mm
CTB9209/12	12	61mm	CTB9209/24	24	121.9mm
CTB9209/13	13	66mm			



### Female connector vertical (standard)

TYPE NO.	POLES	LENGTH	TYPE NO.	POLES	LENGTH
CTB922VJ/2S	2	10.2mm	CTB922VJ/14S	14	71.1mm
CTB922VJ/3S	3	15.2mm	CTB922VJ/15S	15	76.2mm
CTB922VJ/4S	4	20.3mm	CTB922VJ/16S	16	81.3mm
CTB922VJ/5S	5	25.4mm	CTB922VJ/17S	17	86.4mm
CTB922VJ/6S	6	30.5mm	CTB922VJ/18S	18	91.4mm
CTB922VJ/7S	7	35.6mm	CTB922VJ/19S	19	96.5mm
CTB922VJ/8S	8	40.6mm	CTB922VJ/20S	20	101.6mm
CTB922VJ/9S	9	45.7mm	CTB922VJ/21S	21	106.7mm
CTB922VJ/10S	10	50.8mm	CTB922VJ/22S	22	111.8mm
CTB922VJ/11S	11	55.9mm	CTB922VJ/23S	23	116.8mm
CTB922VJ/12S	12	61mm	CTB922VJ/24S	24	121.9mm
CTB922VJ/13S	13	66mm			



## X-ON Electronics

Largest Supplier of Electrical and Electronic Components

*Click to view similar products for [Pluggable Terminal Blocks](#) category:*

*Click to view products by [Camden](#) manufacturer:*

Other Similar products are found below :

[57.404.7553](#) [57.504.0053.7](#) [57.510.0053](#) [57.910.6153](#) [01.112.1453](#) [CTB932VE/6](#) [MC 1.5/ 6-ST-3.5 GY AU](#) [ET02015000J0G](#) [734-104](#) [734-302](#) [734-304](#) [8-141-P](#) [FKCT 2.5/ 3-ST KMGY](#) [860505](#) [860508](#) [860516](#) [860810](#) [861908](#) [GBPACX-12](#) [93.731.4953.0](#) [PV05-5,08-K](#) [PVP02-5,00](#) [PVP04-3,50](#) [PVS02-5,00](#) [1-1986160-3](#) [H-10](#) [1546228-5](#) [ELFH09150](#) [ELFH16150](#) [ELFP03110](#) [ELFT06250](#) [ELFT07250](#) [ELVF09400](#) [ELVP03100](#) [ELXH03100](#) [ELXH071G0E](#) [ELXP041G0](#) [ELXT046G0](#) [1700101](#) [1700410](#) [1700425](#) [1703176](#) [1705229](#) [1710175](#) [1714537](#) [1717806](#) [1719600](#) [1729386](#) [1734692](#) [1734795](#)