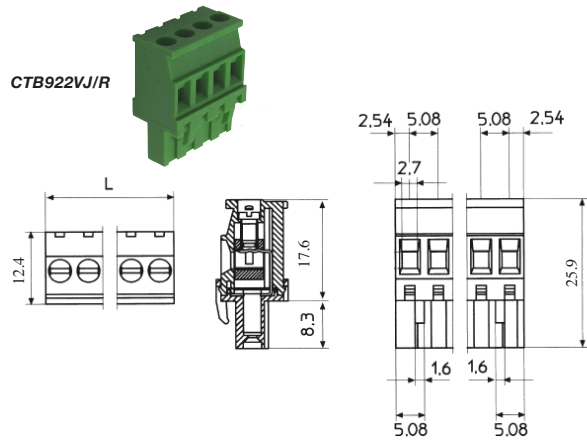


# CAMBLOCK

## Female connector vertical (reversed)

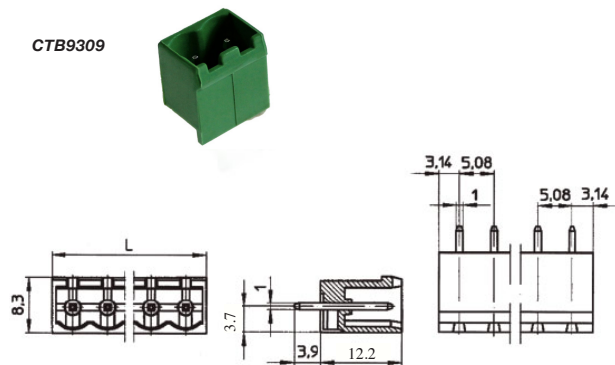
PCB  
TERMINAL  
BLOCKS

TYPE NO.	POLES	LENGTH	TYPE NO.	POLES	LENGTH
CTB922VJ/2R	2	10.2mm	CTB922VJ/14R	14	71.1mm
CTB922VJ/3R	3	15.2mm	CTB922VJ/15R	15	76.2mm
CTB922VJ/4R	4	20.3mm	CTB922VJ/16R	16	81.3mm
CTB922VJ/5R	5	25.4mm	CTB922VJ/17R	17	86.4mm
CTB922VJ/6R	6	30.5mm	CTB922VJ/18R	18	91.4mm
CTB922VJ/7R	7	35.6mm	CTB922VJ/19R	19	96.5mm
CTB922VJ/8R	8	40.6mm	CTB922VJ/20R	20	101.6mm
CTB922VJ/9R	9	45.7mm	CTB922VJ/21R	21	106.7mm
CTB922VJ/10R	10	50.8mm	CTB922VJ/22R	22	111.8mm
CTB922VJ/11R	11	55.9mm	CTB922VJ/23R	23	116.8mm
CTB922VJ/12R	12	61mm	CTB922VJ/24R	24	121.9mm
CTB922VJ/13R	13	66mm			



## PCB mounting male vertical (closed end)

TYPE NO.	POLES	LENGTH	TYPE NO.	POLES	LENGTH
CTB9309/2	2	11.4mm	CTB9309/14	14	72.3mm
CTB9309/3	3	16.4mm	CTB9309/15	15	77.4mm
CTB9309/4	4	21.5mm	CTB9309/16	16	82.5mm
CTB9309/5	5	26.6mm	CTB9309/17	17	87.6mm
CTB9309/6	6	31.7mm	CTB9309/18	18	92.6mm
CTB9309/7	7	36.78mm	CTB9309/19	19	97.7mm
CTB9309/8	8	41.8mm	CTB9309/20	20	102.8mm
CTB9309/9	9	46.9mm	CTB9309/21	21	107.9mm
CTB9309/10	10	52mm	CTB9309/22	22	113mm
CTB9309/11	11	57.1mm	CTB9309/23	23	118mm
CTB9309/12	12	62.3mm	CTB9309/24	24	123.1mm
CTB9309/13	13	67.2mm			



## X-ON Electronics

Largest Supplier of Electrical and Electronic Components

*Click to view similar products for [Pluggable Terminal Blocks](#) category:*

*Click to view products by [Camden](#) manufacturer:*

Other Similar products are found below :

[57.404.7553](#) [57.504.0053.7](#) [57.510.0053](#) [57.910.6153](#) [01.112.1453](#) [CTB932VE/6](#) [MC 1.5/ 6-ST-3.5 GY AU](#) [ET02015000J0G](#) [734-104](#) [734-302](#) [734-304](#) [8-141-P](#) [FKCT 2.5/ 3-ST KMGY](#) [860505](#) [860508](#) [860516](#) [860810](#) [861908](#) [GBPACX-12](#) [93.731.4953.0](#) [PV05-5,08-K](#) [PVP02-5,00](#) [PVP04-3,50](#) [PVS02-5,00](#) [1-1986160-3](#) [H-10](#) [1546228-5](#) [ELFH09150](#) [ELFH16150](#) [ELFP03110](#) [ELFT06250](#) [ELFT07250](#) [ELVF09400](#) [ELVP03100](#) [ELXH03100](#) [ELXH071G0E](#) [ELXP041G0](#) [ELXT046G0](#) [1700101](#) [1700410](#) [1700425](#) [1703176](#) [1705229](#) [1710175](#) [1714537](#) [1717806](#) [1719600](#) [1729386](#) [1734692](#) [1734795](#)