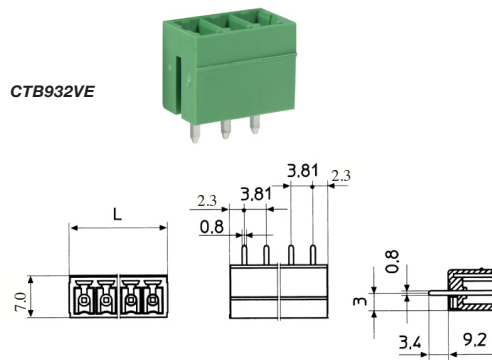


# CAMBLOCK

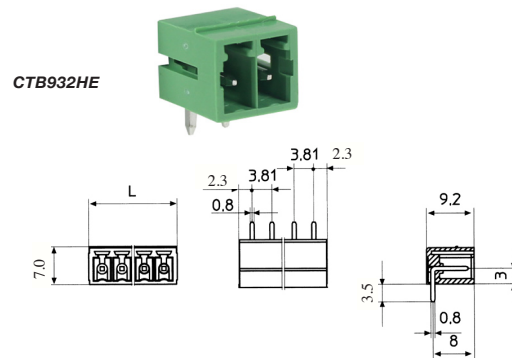
## PCB mounting male vertical (closed ended)

TYPE NO.	POLES	LENGTH	TYPE NO.	POLES	LENGTH
CTB932VE/2	2	8.41mm	CTB932VE/12	12	46.51mm
CTB932VE/3	3	12.22mm	CTB932VE/13	13	50.32mm
CTB932VE/4	4	16.03mm	CTB932VE/14	14	54.13mm
CTB932VE/5	5	19.84mm	CTB932VE/15	15	57.84mm
CTB932VE/6	6	23.65mm	CTB932VE/16	16	61.75mm
CTB932VE/7	7	27.46mm	CTB932VE/17	17	65.56mm
CTB932VE/8	8	31.27mm	CTB932VE/18	18	69.37mm
CTB932VE/9	9	35.08mm	CTB932VE/19	19	73.18mm
CTB932VE/10	10	38.89mm	CTB932VE/20	20	76.99mm
CTB932VE/11	11	42.7mm			



## PCB mounting male horizontal (closed ended)

TYPE NO.	POLES	LENGTH	TYPE NO.	POLES	LENGTH
CTB932HE/2	2	8.41mm	CTB932HE/12	12	46.51mm
CTB932HE/3	3	12.22mm	CTB932HE/13	13	50.32mm
CTB932HE/4	4	16.03mm	CTB932HE/14	14	54.13mm
CTB932HE/5	5	19.84mm	CTB932HE/15	15	57.84mm
CTB932HE/6	6	23.65mm	CTB932HE/16	16	61.75mm
CTB932HE/7	7	27.46mm	CTB932HE/17	17	65.56mm
CTB932HE/8	8	31.27mm	CTB932HE/18	18	69.37mm
CTB932HE/9	9	35.08mm	CTB932HE/19	19	73.18mm
CTB932HE/10	10	38.89mm	CTB932HE/20	20	76.99mm
CTB932HE/11	11	42.7mm			



PCB  
TERMINAL  
BLOCKS

## X-ON Electronics

Largest Supplier of Electrical and Electronic Components

*Click to view similar products for [camden manufacturer](#):*

Other Similar products are found below :

[412689X](#) [CTBP92VE/12R](#) [CTBP9350/12](#) [IND515205-240-T/GRN](#) [IND515205-240-T/RD](#) [IND5032405-240-T/GRN](#) [CE10.00.EI](#)  
[C192SHAND](#) [CNMB/6ST/2](#) [CNMB/4ST/2](#) [CSACST004](#) [CTBP9200/9](#) [CIME/M/BE2250SS](#) [CHH64E1BL](#) [CIM/15W-DMFS](#) [CHHBAT2GY](#)  
[CFTBN/2](#) [CCB2S1/04](#) [CHDX6-221C](#) [CHDX8-224](#) [CHDASMP29](#) [CHDASMP34](#) [CHDX810DD](#) [CHDX811DD](#) [CCTTM40LR](#)  
[CTBP92VJ/5S](#) [CTBP92VJ/8R](#) [CTSN431/12/M](#) [CTSN433/12/M](#) [CUABOX006](#) [CE10.00.FM](#) [CBRPH-BLK](#) [BIM2003/13-WH/WH](#)  
[RX2008/S-5-WH](#) [CBARD-CAR](#) [CRDCG0007](#) [CNMB/4/KIT](#) [CTB5050/5](#) [CTBP92HE/11](#) [CTBP9358/10AO](#) [CHH66C2GY](#) [CHH456PBK](#)  
[CHH451ABK](#) [CIM/9W-DMFS](#) [CIM/25W-DMFS](#) [RTM5006/16-NC-BLK](#) [IND5032405-125-T/AMB](#) [CCB1S1/03](#) [CCD2S1/04](#) [CCE1S1/05](#)