

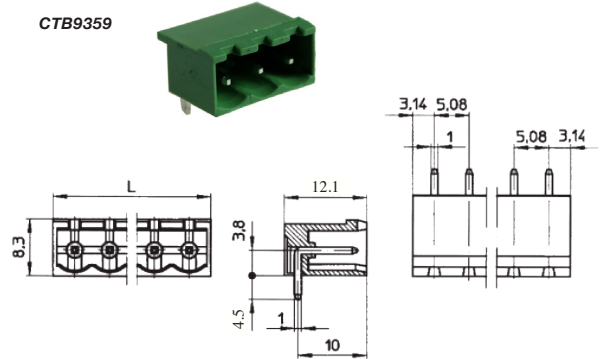
CAMBLOCK

PCB mounting male horizontal (closed end)

TYPE NO.	POLES	LENGTH
CTB9359/2	2	11.4mm
CTB9359/3	3	16.4mm
CTB9359/4	4	21.5mm
CTB9359/5	5	26.6mm
CTB9359/6	6	31.7mm
CTB9359/7	7	36.78mm
CTB9359/8	8	41.8mm
CTB9359/9	9	46.9mm
CTB9359/10	10	52mm
CTB9359/11	11	57.1mm
CTB9359/12	12	62.3mm
CTB9359/13	13	67.2mm

TYPE NO.	POLES	LENGTH
CTB9359/14	14	72.3mm
CTB9359/15	15	77.4mm
CTB9359/16	16	82.5mm
CTB9359/17	17	87.6mm
CTB9359/18	18	92.6mm
CTB9359/19	19	97.7mm
CTB9359/20	20	102.8mm
CTB9359/21	21	107.9mm
CTB9359/22	22	113mm
CTB9359/23	23	118mm
CTB9359/24	24	123.1mm

CTB9359

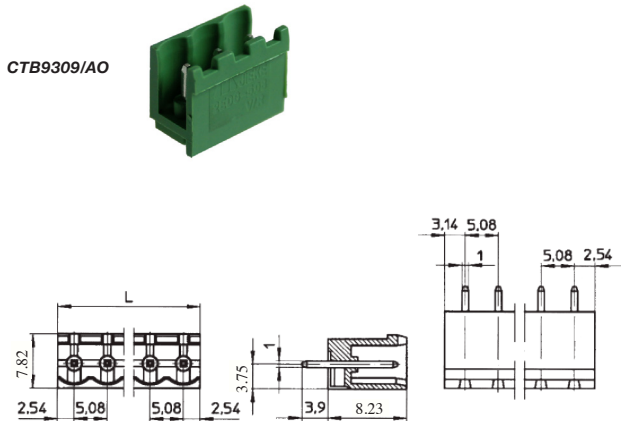


PCB mounting male vertical (open ended)

TYPE NO.	POLES	LENGTH
CTB9309/2AO	2	10.2mm
CTB9309/3AO	3	15.2mm
CTB9309/4AO	4	20.3mm
CTB9309/5AO	5	25.4mm
CTB9309/6AO	6	30.5mm
CTB9309/7AO	7	35.6mm
CTB9309/8AO	8	40.6mm
CTB9309/9AO	9	45.7mm
CTB9309/10AO	10	50.8mm
CTB9309/11AO	11	55.9mm
CTB9309/12AO	12	61mm
CTB9309/13AO	13	66mm

TYPE NO.	POLES	LENGTH
CTB9309/14AO	14	71.1mm
CTB9309/15AO	15	76.2mm
CTB9309/16AO	16	81.3mm
CTB9309/17AO	17	86.4mm
CTB9309/18AO	18	91.4mm
CTB9309/19AO	19	96.5mm
CTB9309/20AO	20	101.6mm
CTB9309/21AO	21	106.7mm
CTB9309/22AO	22	111.7mm
CTB9309/23AO	23	116.8mm
CTB9309/24AO	24	121.9mm

CTB9309/AO



X-ON Electronics

Largest Supplier of Electrical and Electronic Components

Click to view similar products for [Pluggable Terminal Blocks](#) category:

Click to view products by [Camden](#) manufacturer:

Other Similar products are found below :

[57.404.7553](#) [57.504.0053.7](#) [57.510.0053](#) [57.910.6153](#) [01.112.1453](#) [CTB932VE/6](#) [MC 1.5/ 6-ST-3.5 GY AU](#) [ET02015000J0G](#) [734-104](#) [734-302](#) [734-304](#) [8-141-P](#) [FKCT 2.5/ 3-ST KMGY](#) [860505](#) [860508](#) [860516](#) [860810](#) [861908](#) [GBPACX-12](#) [93.731.4953.0](#) [PV05-5,08-K](#) [PVP02-5,00](#) [PVP04-3,50](#) [PVS02-5,00](#) [1-1986160-3](#) [H-10](#) [1546228-5](#) [ELFH09150](#) [ELFH16150](#) [ELFP03110](#) [ELFT06250](#) [ELFT07250](#) [ELVF09400](#) [ELVP03100](#) [ELXH03100](#) [ELXH071G0E](#) [ELXP041G0](#) [ELXT046G0](#) [1700101](#) [1700410](#) [1700425](#) [1703176](#) [1705229](#) [1710175](#) [1714537](#) [1717806](#) [1719600](#) [1729386](#) [1734692](#) [1734795](#)