

CRYSTAL TEST & BURN IN SOCKET

AXS-3225-04-04

Precision test socket for 3.2 x 2.5mm,
4 pad crystal packages.



RoHS
Compliant



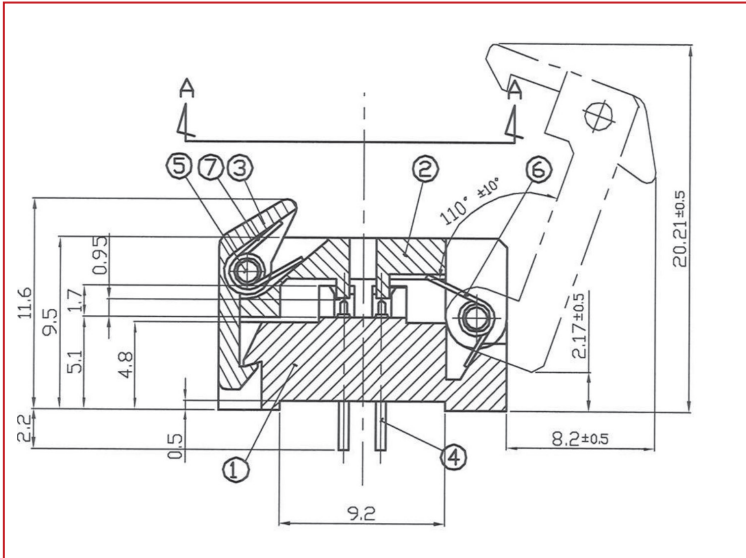
FEATURES:

- Accurate and reliable testing of frequency control devices
- Contact force ideal for avoiding measurement error
- Highest quality socket available
- Clam shell design for easy open and close
- Reliable gold plated POGO pins
- Suitable for high temperature burn-in test
- Operating Temperature: -30 ~ +150°C

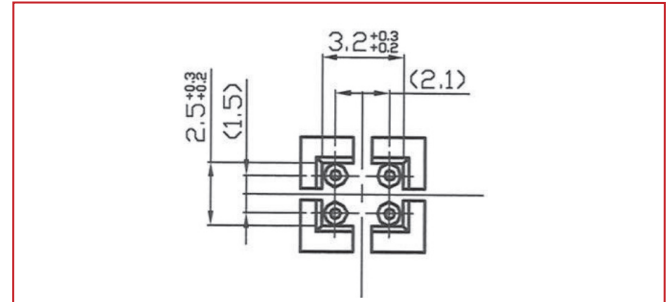
APPLICATIONS:

- Design stage component engineering evaluation
- Supplier comparison tests
- High temperature burn-in board testing
- Prototyping

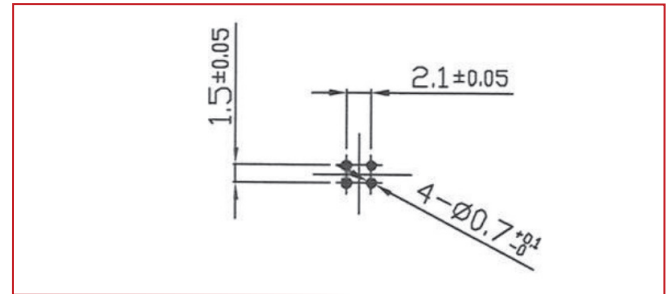
SIDE VIEW (OPEN):



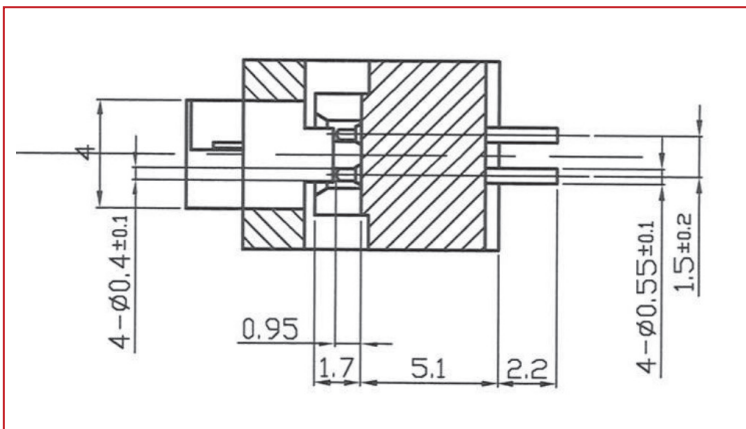
POCKET TOP VIEW:



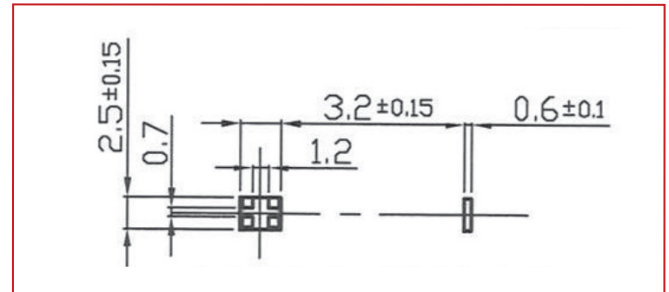
PIN DIMENSIONS:



END VIEW:



SUITABLE CRYSTAL PACKAGE DIMENSIONS:



Dimensions: mm

ORDERING INFORMATION:

When ordering, please refer to part number

AXS-3225-04-04

COMPATIBLE ABRACON SURFACE MOUNT CRYSTAL:

ABM81 (for a pdf download go to www.abracon.com/Resonators/abm81.pdf)

ABM82 (for a pdf download go to www.abracon.com/Resonators/abm82.pdf)

* ABRACON test and burn in sockets are compatible with all industry standard frequency control packages.

RECOMMENDED FOR USE WITH DEVICE PACKAGE DIMENSIONS

3.2 x 2.5 x 0.6mm

ABRACON IS
ISO9001:2008
CERTIFIED

ABRACON[®]
The Power of Linking Together

2 Faraday, Suite# B | Irvine | CA 92618 **Revised: 02.15.16**
Ph. 949.546.8000 | Fax. 949.546.8001
Visit www.abracon.com for Terms and Conditions of Sale

X-ON Electronics

Largest Supplier of Electrical and Electronic Components

Click to view similar products for [Test Sockets](#) category:

Click to view products by [ABRACON](#) manufacturer:

Other Similar products are found below :

[AXS-5032-04-02](#) [AXS-3225-04-06](#) [AXS-7050-04-12](#) [5662](#) [BP30-10-B](#) [BP30GNN-1 PKG](#) [BP30-10Y-1 PKG](#) [AXS-7050-04-01](#) [AXS-5032-04-06](#) [AXS-2520-04-01](#) [AXS-5032-04-04](#) [930308101](#) [931714101](#) [15.0084-21](#) [563-0500](#) [20.1020-21](#) [20-313137](#) [20-313139](#) [20-313144](#) [20-313140](#) [20-313143](#) [22.1042](#) [+ 22.2370-22](#) [23.1010-23, 24, 25, 26, 27](#) [23.3060-23](#) [24.0160-1+25.0035](#) [24.0160-4+25.0035](#) [24.116-22](#) [5281](#) [5279](#) [450-3704-01-06-00](#) [AXS-3225-04-04](#) [AXS-3225-04-10](#) [AXS-7550-06-03](#) [AXS-7550-06-05](#) [269RB](#) [2713BB](#) [BP30BN-1 PKG](#) [BP30RN-1 PKG](#) [571-0200](#) [450-3422-01-06-00](#) [450-3888-01-04-00](#) [BP30GP10](#) [571-0400](#) [571-0600](#) [66.9131-23](#) [66.9427-22](#) [BP21-2BRN-B](#) [PKG](#) [930058104](#) [930103102](#) [930103188](#)