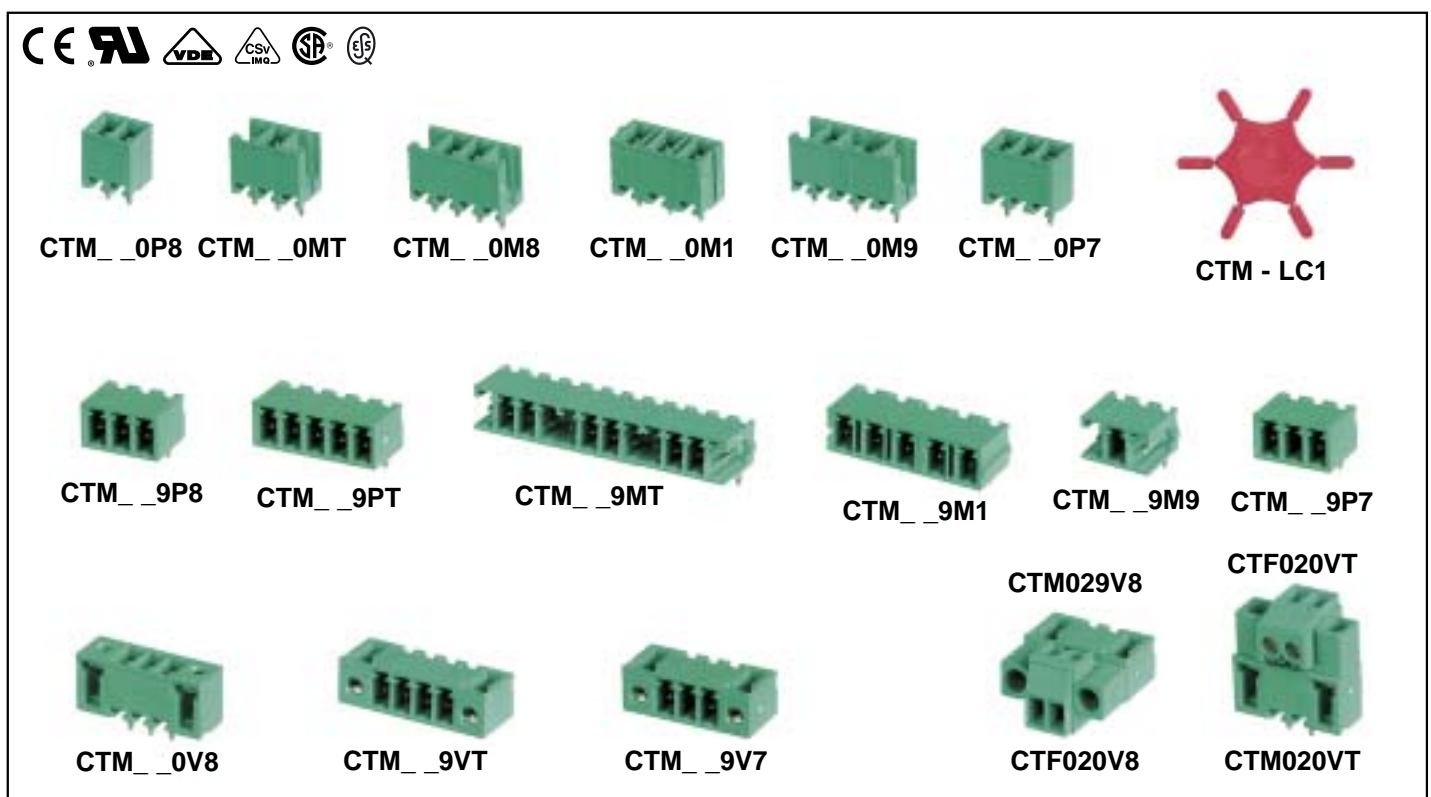




Dimensional Class: LOW
Standard Color: GREEN
Mated Connectors Height: see page 188
Versions: Modular, Side Stackable
 Polarized, Locking Screw Flanges
Single Mold Poles: from 2 to 25 (Modular-Side Stackable)
 from 2 to 25 (Polarized), from 2 to 23 (Locking Screw Flanges)
Metric Pitches: .138 in (3.5 mm), .197 in (5 mm), .276 in (7 mm)
Imperial Pitches: .15 in (3.81 mm), .2 in (5.08 mm), .3 in (7.62 mm)

Classe Dimensionnelle: BASSE
Couleur Standard: VERT
Hauteur Connecteur jumelé: voir page 190
Versions: Juxtaposable, Modulaire
 Détrompé, avec Oreilles de Fixation
Pièces monolithiques: de 2 à 25 (Modulaire-Juxtaposable)
 de 2 à 25 (Détrompé), de 2 à 23 (avec Oreilles de Fixation)
Pas Métriques: 3,5 mm, 5 mm, 7 mm
Pas en Pouces: 3,81mm, 5,08 mm, 7,62 mm



The CT connector Series for printed circuit boards can be polarized both by means of the plastic housing and by the use of CTM-LC1 and CTF-SC1 Coding Splines and Clips.

For further details please refer to page 186.

The CTM connector Series satisfies the user's mounting needs with the following possibilities:

- mating with CTF female connectors;
- using individual single mold connectors from 2 to 25 poles;
- combining Modular connectors from 2 to 25 poles to obtain any number of poles;
- minimizing the stock by storing only selected connectors (ex. 2 - 3... 25 poles) to enable combinations as described above;
- using a custom Kit package to simplify the product management (part-number reduction), to minimize the stock, to improve the assembly and to reduce production errors.

Les connecteurs pour C.I. de la Série CT peuvent être détrompés soit par le biais du boîtier en plastique, soit à l'aide de Profilés ou Cavaliers de détrompage CTM-LC1 et CTF-SC1.

Pour plus d'informations, se reporter à la page 186 du catalogue.

Les connecteurs de la Série CTM répondent aux exigences des utilisateurs en offrant les possibilités suivantes:

- le jumelage avec le connecteur femelle CTF;
- l'utilisation singulière des connecteurs à base monolithique de 2 à 25 pôles;
- l'assemblage des connecteurs Modulaires de 2 à 25 pôles afin d'obtenir le nombre de pôles désirés;
- la gestion d'un stock minimum de connecteurs (ex. 2 - 3... 25 pôles) afin d'obtenir le cas de figure voulu;
- l'utilisation d'emballages en Kit qui simplifie la gestion interne du produit (réduction du nombre des code-articles), du stock, de l'assemblage et qui permet également une réduction des risques d'erreurs de montage.

M2 nickel-plated Copper Alloy Screw.		Vis M2 en Alliage de Cuivre nickelée.
Nickel-plated Copper Alloy Cage Clamp.		Cage en Alliage de Cuivre nickelée.
PA 6.6 Polyamide Housing. Standard Color: GREEN. V-0 Self-extinguishing According to UL 94. Chlorinated solvents resistant, with no Phosphor, Dioxin or detrimental to health Halogens.		Boîtier en Polyamide PA 6.6. Couleur Standard: VERT. Autoextinguible Classe V-0 selon UL 94. Résistant aux solvants chlorés, sans Phosphore, Dioxine ou Halogènes dangereux pour la santé.
Leadfree tin-plated Phosphorous Bronze spring.		Ressort en Bronze phosphoreux étamé sans plomb .
Easy-to-solder leadfree tin-plated Phosphorous Bronze Pin.		Picot en Bronze phosphoreux étamé sans plomb , facile à souder.

Mechanical Characteristics

Insertion force per pole:	max. .674 lb (max. 3 N)
Withdrawal force per pole:	min. .337 lb (min. 1.5 N)
PCB thickness:	max. .094 in (max. 2.4 mm)
PCB hole diameter:	min. .043 in (min. 1.1 mm)
Operating temperature range:	-40 °F ÷ +230 °F (-40 °C ÷ +110 °C)
Climatic category:	40/110/21 According to IEC 68-1

Electrical Characteristics

Rated voltage:	.138 in (3.5 mm) and .150 in (3.81 mm) pitch 300 V (UL, CSA)* .197 in (5 mm) and .200 in (5.08 mm) pitch 300 V (UL, CSA)* .276 in (7 mm) and .300 in (7.62 mm) pitch 750 V (IMQ)*
Rated current:	13.5 A (IMQ)*
Contact resistance:	<15 mΩ
Insulation resistance:	>10 ⁹ Ω (500V DC)

*All the a.m. data refer to the highest values amongst the certificated ones (). **V** voltage, **I** current values and tightening torque are related to the norms to be applied to the product and to its use.

Caractéristiques Mécaniques

Force d'insertion par pôle:	max. 3 N
Force de désinsertion par pôle:	min. 1,5 N
Epaisseur du C.I.:	max. 2,4 mm
Diamètre de perçage:	min. 1,1 mm
Echelle de températures:	-40 °C ÷ +110 °C
Catégorie climatique:	40/110/21 Selon CEI 68-1

Caractéristiques Electriques

Tension nominale:	pas de 3,5 mm et 3,81 mm 300 V (UL, CSA)* pas de 5 mm et 5,08 mm 300 V (UL, CSA)* pas de 7 mm et 7,62 mm 750 V (IMQ)*
Intensité nominale:	13,5 A (IMQ)*
Résistance de contact:	<15 mΩ
Résistance d'isolement:	>10 ⁹ Ω (500V CC)

*Pour chacune des caractéristiques reportées, les données indiquées se réfèrent aux valeurs maximales des certifications relatives (). Les valeurs de tension **V** et de courant **I**, ainsi que le couple de serrage se reportent aux normes applicables aux produits et à leur type d'utilisation.

Approvals

(see also "Certifications", page 22)

VDE:	Reg. N. 134066 ÜG
	130 V - 11 A - T 95 - 1 mm ² for 3.5 mm and 3.81 mm pitch 250 V - 11 A - T 95 - 1 mm ² for 5 mm and 5.08 mm pitch 450 V - 11 A - T 95 - 1 mm ² for 7 mm and 7.62 mm pitch

IMQ:	Certificate with Surveillance CA02.00901
ESS:	130 V - T 110 - 13.5 A - 1.5 mm ² solid (11 A - 1 mm ² stranded) for 3.5 mm and 3.81 mm pitch 250 V - T 110 - 13.5 A - 1.5 mm ² solid (11 A - 1 mm ² stranded) for 5 mm and 5.08 mm pitch 750 V - T 110 - 13.5 A - 1.5 mm ² solid (11 A - 1 mm ² stranded) for 7 mm and 7.62 mm pitch

CSA:	File LR 102896-2
	300 V - 11 A for 3.5 mm, 3.81 mm, 5 mm and 5.08 mm pitch 450 V - 11 A for 7 mm and 7.62 mm pitch

UL:	File E 167473
	300 V - 11 A for 3.5 mm, 3.81 mm, 5 mm, 5.08 mm, 7 mm and 7.62 mm pitch Application values for end-use equipment have to be in accordance to UL norms and applicable to it.

Homologations

(Cf également la rubrique "Homologations", page 22)

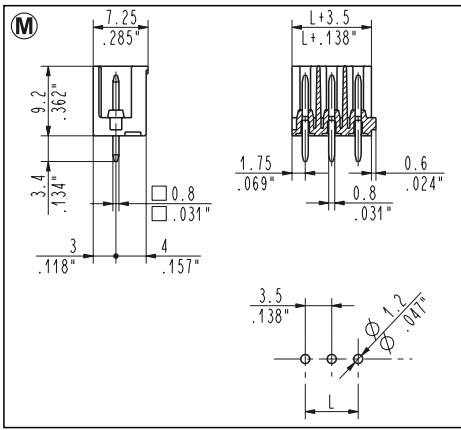


VDE:	Reg. N. 134066 ÜG
	130 V - 11 A - T 95 - 1 mm ² pour les pas de 3,5 mm et 3,81 mm 250 V - 11 A - T 95 - 1 mm ² pour les pas de 5 mm et 5,08 mm 450 V - 11 A - T 95 - 1 mm ² pour les pas de 7 mm et 7,62 mm

IMQ:	Certificat sous Surveillance CA02.00901
ESS:	130 V - T 110 - 13,5 A - 1,5 mm ² rigide (11 A - 1 mm ² flexible) pour les pas de 3,5 mm et 3,81 mm 250 V - T 110 - 13,5 A - 1,5 mm ² rigide (11 A - 1 mm ² flexible) pour les pas de 5 mm et 5,08 mm 750 V - T 110 - 13,5 A - 1,5 mm ² rigide (11 A - 1 mm ² flexible) pour les pas de 7 mm et 7,62 mm

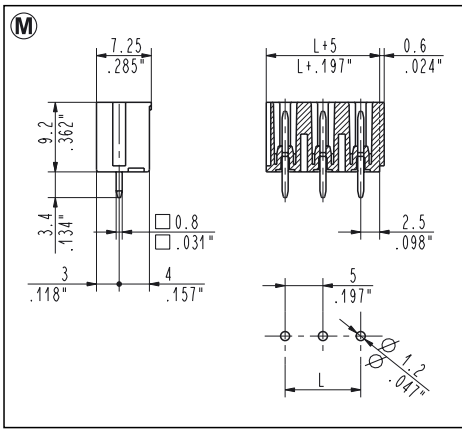
CSA:	File LR 102896-2
	300 V - 11 A pour les pas de 3,5 mm, 3,81 mm, 5 mm et 5,08 mm 450 V - 11 A pour les pas de 7 mm et 7,62 mm

UL:	File E 167473
	300 V - 11 A pour les pas de 3,5 mm, 3,81 mm, 5 mm, 5,08 mm, 7 mm et 7,62 mm Les valeurs d'utilisation pour l'appareillage final doivent être en conformité avec les caractéristiques de la norme UL et y être applicables.



CTM_OM8 Straight, Modular-Side Stackable Male
3.5 mm / .138" Pitch Weight per pole: 0.21 g

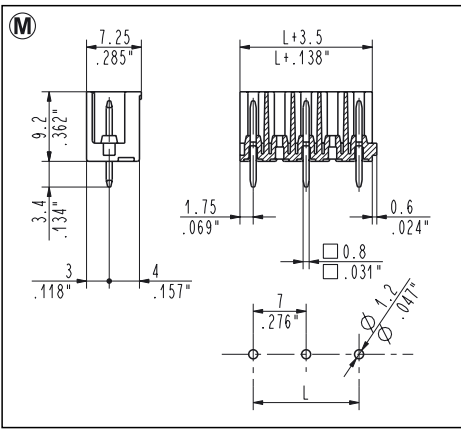
Poles	STD Code	L [mm]	L [inch]	Pcs/pack.	W [kg]
02	CTM020M8	3.50	0.138	500	0.21
03	CTM030M8	7.00	0.276	400	0.25
04	CTM040M8	10.50	0.413	300	0.25
05	CTM050M8	14.00	0.551	250	0.26
06	CTM060M8	17.50	0.689	200	0.25
07	CTM070M8	21.00	0.827	175	0.25
08	CTM080M8	24.50	0.965	125	0.25
09	CTM090M8	28.00	1.102	125	0.23
10	CTM100M8	31.50	1.240	100	0.21
11	CTM110M8	35.00	1.378	100	0.23
12	CTM120M8	38.50	1.516	75	0.19
13	CTM130M8	42.00	1.654	75	0.20
14	CTM140M8	45.50	1.791	100	0.22
15	CTM150M8	49.00	1.929	100	0.23
16	CTM160M8	52.50	2.067	100	0.25
17	CTM170M8	56.00	2.205	50	0.18
18	CTM180M8	59.50	2.343	50	0.19
19	CTM190M8	63.00	2.480	50	0.20
20	CTM200M8	66.50	2.618	50	0.21
21	CTM210M8	70.00	2.756	50	0.22
22	CTM220M8	73.50	2.894	50	0.23
23	CTM230M8	77.00	3.031	50	0.24
24	CTM240M8	80.50	3.169	50	0.25
25	CTM250M8	84.00	3.307	50	0.26



CTM_OM1 Straight, Modular-Side Stackable Male
5 mm / .197" Pitch Weight per pole: 0.29 g

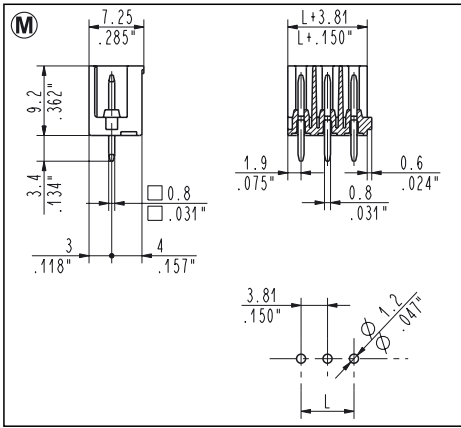
Poles	STD Code	L [mm]	L [inch]	Pcs/pack.	W [kg]
02	CTM020M1	5.00	0.197	400	0.23
03	CTM030M1	10.00	0.394	250	0.22

More poles are obtainable by combining modular connectors



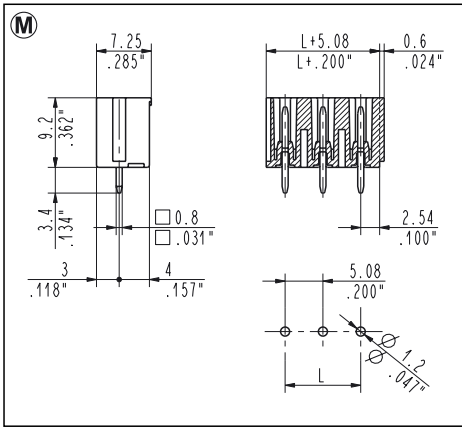
CTM_OM9 Straight, Modular-Side Stackable Male
7 mm / .275" Pitch Weight per pole: 0.26 g

Poles	STD Code	L [mm]	L [inch]	Pcs/pack.	W [kg]
02	CTM020M9	7.00	0.276	400	0.21
03	CTM030M9	14.00	0.551	250	0.20
04	CTM040M9	21.00	0.827	175	0.18
05	CTM050M9	28.00	1.102	125	0.16
06	CTM060M9	35.00	1.378	100	0.16
07	CTM070M9	42.00	1.654	100	0.14
08	CTM080M9	49.00	1.929	100	0.16
09	CTM090M9	56.00	2.205	50	0.12
10	CTM100M9	63.00	2.480	50	0.13
11	CTM110M9	70.00	2.756	50	0.14
12	CTM120M9	77.00	3.031	50	0.16
13	CTM130M9	84.00	3.307	50	0.17



CTM_OMT Straight, Modular-Side Stackable Male
3.81 mm / .150" Pitch Weight per pole: 0.21 g

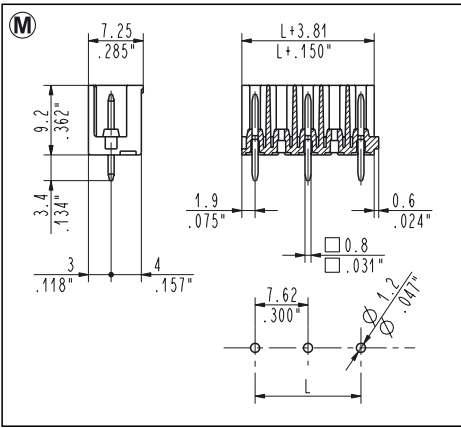
Poles	STD Code	L [mm]	L [inch]	Pcs/pack.	W [kg]
02	CTM020MT	3.81	0.150	500	0.21
03	CTM030MT	7.62	0.300	400	0.25
04	CTM040MT	11.43	0.450	300	0.25
05	CTM050MT	15.24	0.600	250	0.26
06	CTM060MT	19.05	0.750	200	0.25
07	CTM070MT	22.86	0.900	175	0.25
08	CTM080MT	26.67	1.050	125	0.25
09	CTM090MT	30.48	1.200	125	0.23
10	CTM100MT	34.29	1.350	100	0.21
11	CTM110MT	38.10	1.500	100	0.23
12	CTM120MT	41.91	1.650	75	0.19
13	CTM130MT	45.72	1.800	75	0.20
14	CTM140MT	49.53	1.950	100	0.22
15	CTM150MT	53.34	2.100	100	0.23
16	CTM160MT	57.15	2.250	100	0.25
17	CTM170MT	60.96	2.400	50	0.18
18	CTM180MT	64.77	2.550	50	0.19
19	CTM190MT	68.58	2.700	50	0.20
20	CTM200MT	72.39	2.850	50	0.21
21	CTM210MT	76.20	3.000	50	0.22
22	CTM220MT	80.01	3.150	50	0.23
23	CTM230MT	83.82	3.300	50	0.24
24	CTM240MT	87.63	3.450	50	0.25
25	CTM250MT	91.44	3.600	50	0.26



CTM_OM5 Straight, Modular-Side Stackable Male
5.08 mm / .200" Pitch Weight per pole: 0.29 g

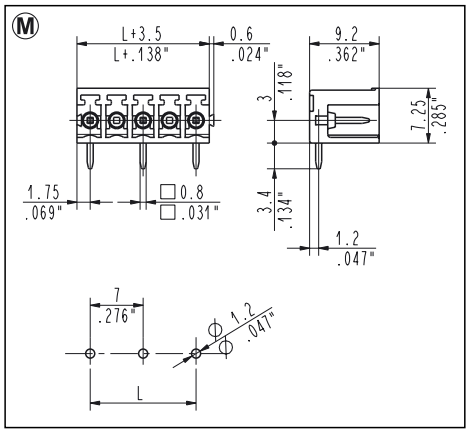
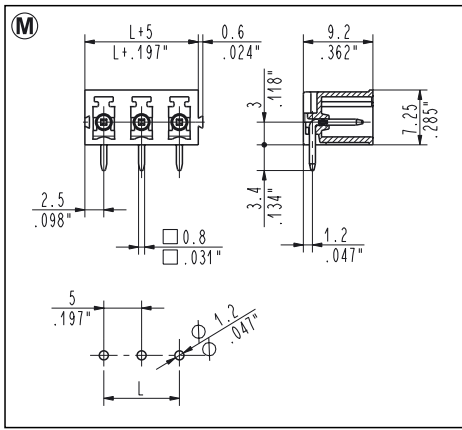
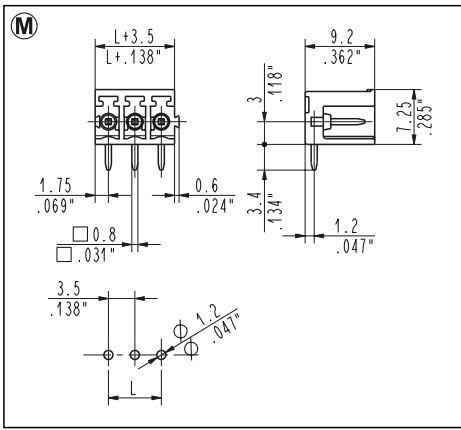
Poles	STD Code	L [mm]	L [inch]	Pcs/pack.	W [kg]
02	CTM020M5	5.08	0.200	400	0.23
03	CTM030M5	10.16	0.400	250	0.22

More poles are obtainable by combining modular connectors



CTM_OM7 Straight, Modular-Side Stackable Male
7.62 mm / .300" Pitch Weight per pole: 0.26 g

Poles	STD Code	L [mm]	L [inch]	Pcs/pack.	W [kg]
02	CTM020M7	7.62	0.300	400	0.21
03	CTM030M7	15.24	0.600	250	0.20
04	CTM040M7	22.86	0.900	175	0.18
05	CTM050M7	30.48	1.200	125	0.16
06	CTM060M7	38.10	1.500	100	0.16
07	CTM070M7	45.72	1.800	100	0.14
08	CTM080M7	53.34	2.100	100	0.16
09	CTM090M7	60.96	2.400	50	0.12
10	CTM100M7	68.58	2.700	50	0.13
11	CTM110M7	76.20	3.000	50	0.14
12	CTM120M7	83.82	3.300	50	0.16
13	CTM130M7	91.44	3.600	50	0.17



CTM 9M8 90°, Modular-Side Stackable Male
3.5 mm / .138" Pitch Weight per pole: 0.21 g

Poles	STD Code	L [mm]	L [inch]	Pcs/pack.	W [kg]
02	CTM029M8	3.50	0.138	500	0.21
03	CTM039M8	7.00	0.276	400	0.25
04	CTM049M8	10.50	0.413	300	0.25
05	CTM059M8	14.00	0.551	250	0.26
06	CTM069M8	17.50	0.689	200	0.25
07	CTM079M8	21.00	0.827	175	0.25
08	CTM089M8	24.50	0.965	125	0.25
09	CTM099M8	28.00	1.102	125	0.23
10	CTM109M8	31.50	1.240	100	0.21
11	CTM119M8	35.00	1.378	100	0.23
12	CTM129M8	38.50	1.516	75	0.19
13	CTM139M8	42.00	1.654	75	0.20
14	CTM149M8	45.50	1.791	100	0.22
15	CTM159M8	49.00	1.929	100	0.23
16	CTM169M8	52.50	2.067	100	0.25
17	CTM179M8	56.00	2.205	50	0.18
18	CTM189M8	59.50	2.343	50	0.19
19	CTM199M8	63.00	2.480	50	0.20
20	CTM209M8	66.50	2.618	50	0.21
21	CTM219M8	70.00	2.756	50	0.22
22	CTM229M8	73.50	2.894	50	0.23
23	CTM239M8	77.00	3.031	50	0.24
24	CTM249M8	80.50	3.169	50	0.25
25	CTM259M8	84.00	3.307	50	0.26

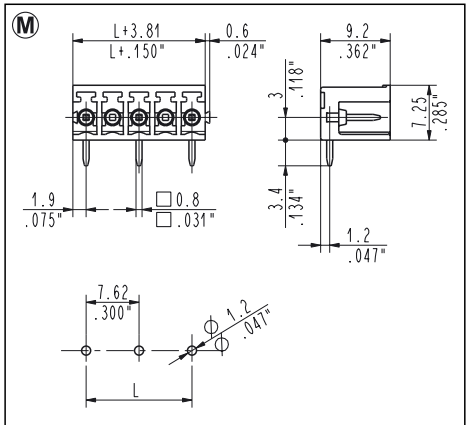
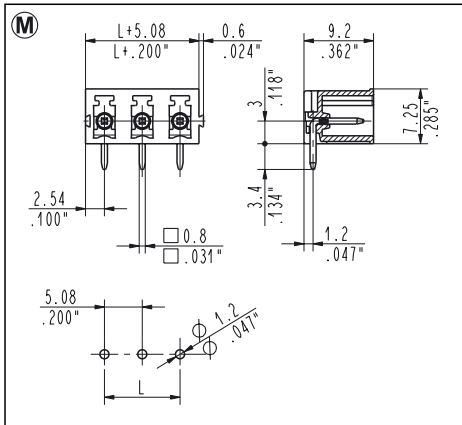
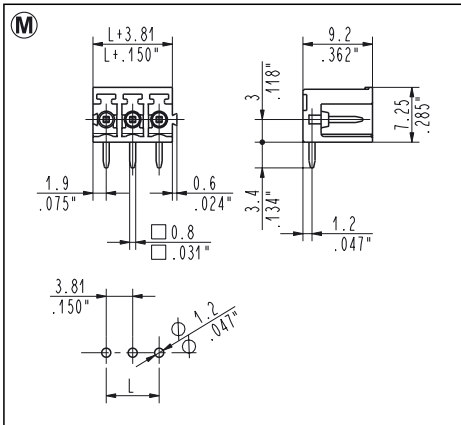
CTM 9M1 90°, Modular-Side Stackable Male
5 mm / .197" Pitch Weight per pole: 0.29 g

Poles	STD Code	L [mm]	L [inch]	Pcs/pack.	W [kg]
02	CTM029M1	5.00	0.197	400	0.23
03	CTM039M1	10.00	0.394	250	0.22

More poles are obtainable by combining modular connectors

CTM 9M9 90°, Modular-Side Stackable Male
7 mm / .275" Pitch Weight per pole: 0.26 g

Poles	STD Code	L [mm]	L [inch]	Pcs/pack.	W [kg]
02	CTM029M9	7.00	0.276	400	0.21
03	CTM039M9	14.00	0.551	250	0.20
04	CTM049M9	21.00	0.827	175	0.18
05	CTM059M9	28.00	1.102	125	0.16
06	CTM069M9	35.00	1.378	100	0.16
07	CTM079M9	42.00	1.654	100	0.14
08	CTM089M9	49.00	1.929	100	0.16
09	CTM099M9	56.00	2.205	50	0.12
10	CTM109M9	63.00	2.480	50	0.13
11	CTM119M9	70.00	2.756	50	0.14
12	CTM129M9	77.00	3.031	50	0.16
13	CTM139M9	84.00	3.307	50	0.17



CTM 9MT 90°, Modular-Side Stackable Male
3.81 mm / .150" Pitch Weight per pole: 0.21 g

Poles	STD Code	L [mm]	L [inch]	Pcs/pack.	W [kg]
02	CTM029MT	3.81	0.150	500	0.21
03	CTM039MT	7.62	0.300	400	0.25
04	CTM049MT	11.43	0.450	300	0.25
05	CTM059MT	15.24	0.600	250	0.26
06	CTM069MT	19.05	0.750	200	0.25
07	CTM079MT	22.86	0.900	175	0.25
08	CTM089MT	26.67	1.050	125	0.25
09	CTM099MT	30.48	1.200	125	0.23
10	CTM109MT	34.29	1.350	100	0.21
11	CTM119MT	38.10	1.500	100	0.23
12	CTM129MT	41.91	1.650	75	0.19
13	CTM139MT	45.72	1.800	75	0.20
14	CTM149MT	49.53	1.950	100	0.22
15	CTM159MT	53.34	2.100	100	0.23
16	CTM169MT	57.15	2.250	100	0.25
17	CTM179MT	60.96	2.400	50	0.18
18	CTM189MT	64.77	2.550	50	0.19
19	CTM199MT	68.58	2.700	50	0.20
20	CTM209MT	72.39	2.850	50	0.21
21	CTM219MT	76.20	3.000	50	0.22
22	CTM229MT	80.01	3.150	50	0.23
23	CTM239MT	83.82	3.300	50	0.24
24	CTM249MT	87.63	3.450	50	0.25
25	CTM259MT	91.44	3.600	50	0.26

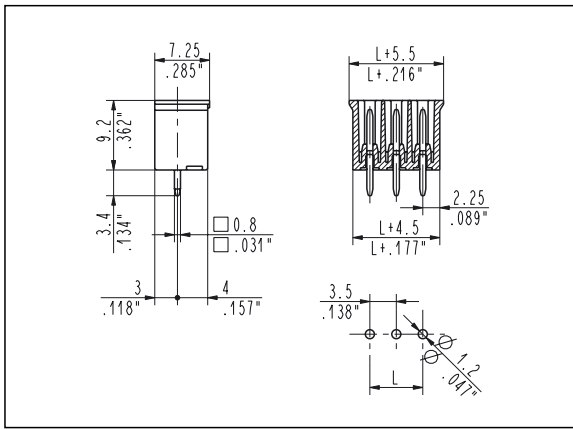
CTM 9M5 90°, Modular-Side Stackable Male
5.08 mm / .200" Pitch Weight per pole: 0.29 g

Poles	STD Code	L [mm]	L [inch]	Pcs/pack.	W [kg]
02	CTM029M5	5.08	0.200	400	0.23
03	CTM039M5	10.16	0.400	250	0.22

More poles are obtainable by combining modular connectors

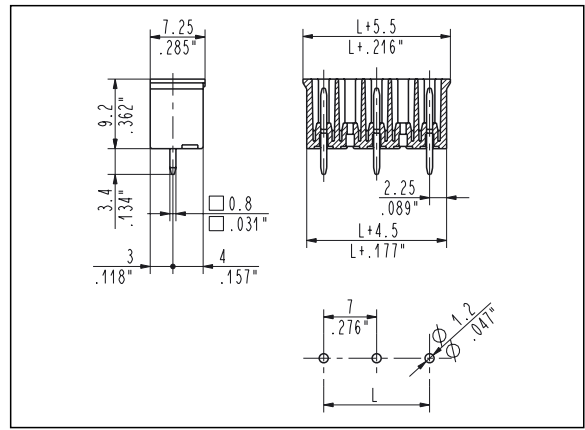
CTM 9M7 90°, Modular-Side Stackable Male
7.62 mm / .300" Pitch Weight per pole: 0.26 g

Poles	STD Code	L [mm]	L [inch]	Pcs/pack.	W [kg]
02	CTM029M7	7.62	0.300	400	0.21
03	CTM039M7	15.24	0.600	250	0.20
04	CTM049M7	22.86	0.900	175	0.18
05	CTM059M7	30.48	1.200	125	0.16
06	CTM069M7	38.10	1.500	100	0.16
07	CTM079M7	45.72	1.800	100	0.14
08	CTM089M7	53.34	2.100	100	0.16
09	CTM099M7	60.96	2.400	50	0.12
10	CTM109M7	68.58	2.700	50	0.13
11	CTM119M7	76.20	3.000	50	0.14
12	CTM129M7	83.82	3.300	50	0.16
13	CTM139M7	91.44	3.600	50	0.17



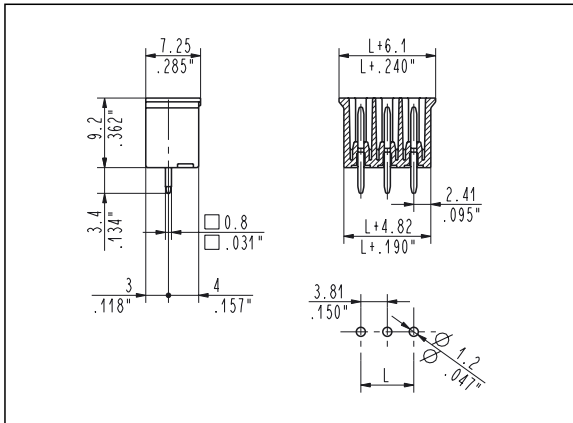
CTM_0P8 Straight, Polarized Male
3.5 mm / .138" Pitch Weight per pole: 0.26 g

Poles	STD Code	L [mm]	L [inch]	Pcs/pack.	W [kg]
02	CTM020P8	3.50	0.138	500	0.26
03	CTM030P8	7.00	0.276	400	0.31
04	CTM040P8	10.50	0.413	300	0.31
05	CTM050P8	14.00	0.551	250	0.33
06	CTM060P8	17.50	0.689	200	0.31
07	CTM070P8	21.00	0.827	175	0.32
08	CTM080P8	24.50	0.965	125	0.31
09	CTM090P8	28.00	1.102	125	0.29
10	CTM100P8	31.50	1.240	100	0.26
11	CTM110P8	35.00	1.378	100	0.29
12	CTM120P8	38.50	1.516	75	0.23
13	CTM130P8	42.00	1.654	75	0.25
14	CTM140P8	45.50	1.791	100	0.27
15	CTM150P8	49.00	1.929	100	0.29
16	CTM160P8	52.50	2.067	100	0.31
17	CTM170P8	56.00	2.205	50	0.22
18	CTM180P8	59.50	2.343	50	0.23
19	CTM190P8	63.00	2.480	50	0.25
20	CTM200P8	66.50	2.618	50	0.26
21	CTM210P8	70.00	2.756	50	0.27
22	CTM220P8	73.50	2.894	50	0.29
23	CTM230P8	77.00	3.031	50	0.30
24	CTM240P8	80.50	3.169	50	0.31
25	CTM250P8	84.00	3.307	50	0.33



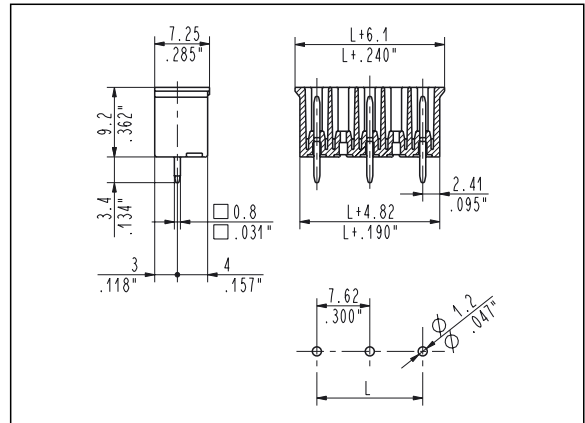
CTM_0P9 Straight, Polarized Male
7 mm / .275" Pitch Weight per pole: 0.31 g

Poles	STD Code	L [mm]	L [inch]	Pcs/pack.	W [kg]
02	CTM020P9	7.00	0.276	400	0.25
03	CTM030P9	14.00	0.551	250	0.23
04	CTM040P9	21.00	0.827	175	0.22
05	CTM050P9	28.00	1.102	125	0.20
06	CTM060P9	35.00	1.378	100	0.19
07	CTM070P9	42.00	1.654	100	0.16
08	CTM080P9	49.00	1.929	100	0.19
09	CTM090P9	56.00	2.205	50	0.14
10	CTM100P9	63.00	2.480	50	0.16
11	CTM110P9	70.00	2.756	50	0.17
12	CTM120P9	77.00	3.031	50	0.19
13	CTM130P9	84.00	3.307	50	0.20



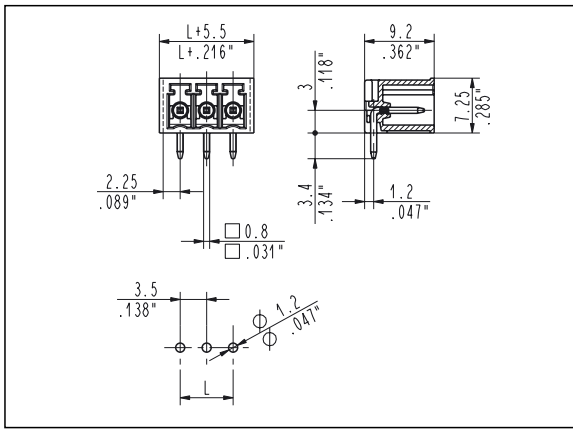
CTM_0PT Straight, Polarized Male
3.81 mm / .150" Pitch Weight per pole: 0.26 g

Poles	STD Code	L [mm]	L [inch]	Pcs/pack.	W [kg]
02	CTM020PT	3.81	0.150	500	0.26
03	CTM030PT	7.62	0.300	400	0.31
04	CTM040PT	11.43	0.450	300	0.31
05	CTM050PT	15.24	0.600	250	0.33
06	CTM060PT	19.05	0.750	200	0.31
07	CTM070PT	22.86	0.900	175	0.32
08	CTM080PT	26.67	1.050	125	0.31
09	CTM090PT	30.48	1.200	125	0.29
10	CTM100PT	34.29	1.350	100	0.26
11	CTM110PT	38.10	1.500	100	0.29
12	CTM120PT	41.91	1.650	75	0.23
13	CTM130PT	45.72	1.800	75	0.25
14	CTM140PT	49.53	1.950	100	0.27
15	CTM150PT	53.34	2.100	100	0.29
16	CTM160PT	57.15	2.250	100	0.31
17	CTM170PT	60.96	2.400	50	0.22
18	CTM180PT	64.77	2.550	50	0.23
19	CTM190PT	68.58	2.700	50	0.25
20	CTM200PT	72.39	2.850	50	0.26
21	CTM210PT	76.20	3.000	50	0.27
22	CTM220PT	80.01	3.150	50	0.29
23	CTM230PT	83.82	3.300	50	0.30
24	CTM240PT	87.63	3.450	50	0.31
25	CTM250PT	91.44	3.600	50	0.33



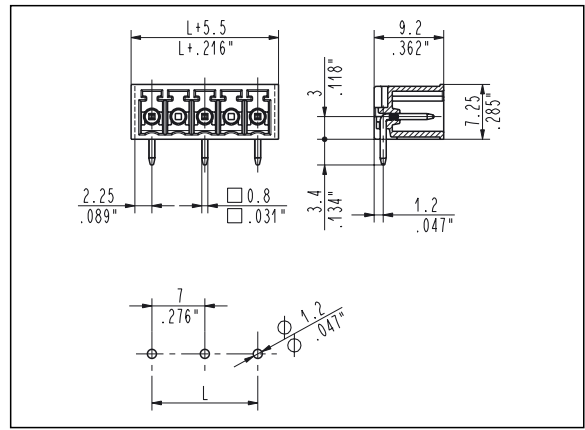
CTM_0P7 Straight, Polarized Male
7.62 mm / .300" Pitch Weight per pole: 0.31 g

Poles	STD Code	L [mm]	L [inch]	Pcs/pack.	W [kg]
02	CTM020P7	7.62	0.300	400	0.25
03	CTM030P7	15.24	0.600	250	0.23
04	CTM040P7	22.86	0.900	175	0.22
05	CTM050P7	30.48	1.200	125	0.20
06	CTM060P7	38.10	1.500	100	0.19
07	CTM070P7	45.72	1.800	100	0.16
08	CTM080P7	53.34	2.100	100	0.19
09	CTM090P7	60.96	2.400	50	0.14
10	CTM100P7	68.58	2.700	50	0.16
11	CTM110P7	76.20	3.000	50	0.17
12	CTM120P7	83.82	3.300	50	0.19
13	CTM130P7	91.44	3.600	50	0.20



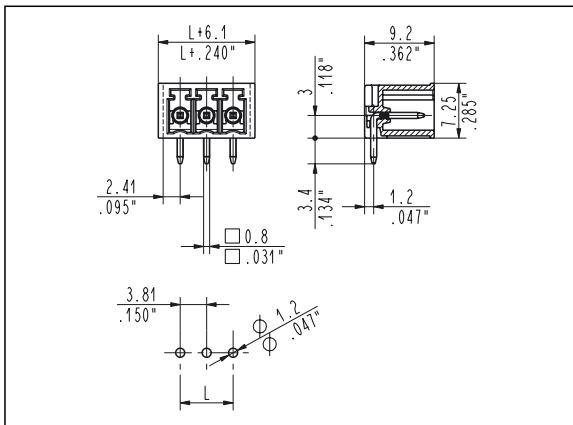
CTM_9P8 90°, Polarized Male
3.5 mm / .138" Pitch Weight per pole: 0.26 g

Poles	STD Code	L [mm]	L [inch]	Pcs/pack.	W [kg]
02	CTM029P8	3.50	0.138	500	0.26
03	CTM039P8	7.00	0.276	400	0.31
04	CTM049P8	10.50	0.413	300	0.31
05	CTM059P8	14.00	0.551	250	0.33
06	CTM069P8	17.50	0.689	200	0.31
07	CTM079P8	21.00	0.827	175	0.32
08	CTM089P8	24.50	0.965	125	0.31
09	CTM099P8	28.00	1.102	125	0.29
10	CTM109P8	31.50	1.240	100	0.26
11	CTM119P8	35.00	1.378	100	0.29
12	CTM129P8	38.50	1.516	75	0.23
13	CTM139P8	42.00	1.654	75	0.25
14	CTM149P8	45.50	1.791	100	0.27
15	CTM159P8	49.00	1.929	100	0.29
16	CTM169P8	52.50	2.067	100	0.31
17	CTM179P8	56.00	2.205	50	0.22
18	CTM189P8	59.50	2.343	50	0.23
19	CTM199P8	63.00	2.480	50	0.25
20	CTM209P8	66.50	2.618	50	0.26
21	CTM219P8	70.00	2.756	50	0.27
22	CTM229P8	73.50	2.894	50	0.29
23	CTM239P8	77.00	3.031	50	0.30
24	CTM249P8	80.50	3.169	50	0.31
25	CTM259P8	84.00	3.307	50	0.33



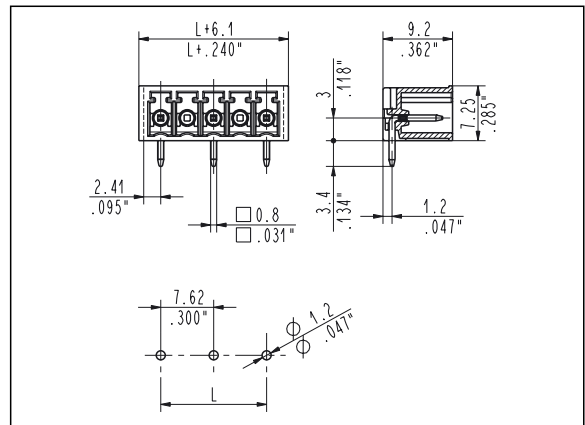
CTM_9P9 90°, Polarized Male
7 mm / .275" Pitch Weight per pole: 0.31 g

Poles	STD Code	L [mm]	L [inch]	Pcs/pack.	W [kg]
02	CTM029P9	7.00	0.276	400	0.25
03	CTM039P9	14.00	0.551	250	0.23
04	CTM049P9	21.00	0.827	175	0.22
05	CTM059P9	28.00	1.102	125	0.20
06	CTM069P9	35.00	1.378	100	0.19
07	CTM079P9	42.00	1.654	100	0.16
08	CTM089P9	49.00	1.929	100	0.19
09	CTM099P9	56.00	2.205	50	0.14
10	CTM109P9	63.00	2.480	50	0.16
11	CTM119P9	70.00	2.756	50	0.17
12	CTM129P9	77.00	3.031	50	0.19
13	CTM139P9	84.00	3.307	50	0.20



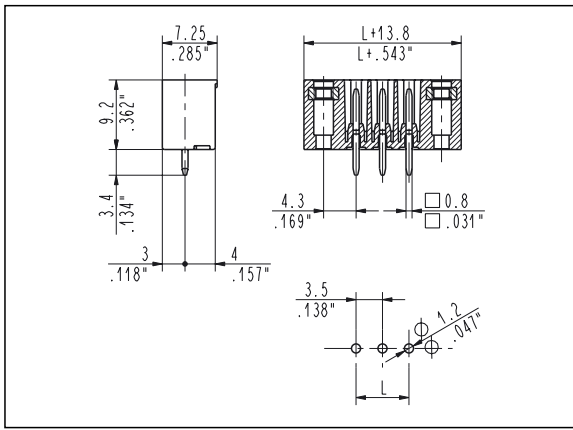
CTM_9PT 90°, Polarized Male
3.81 mm / .150" Pitch Weight per pole: 0.26 g

Poles	STD Code	L [mm]	L [inch]	Pcs/pack.	W [kg]
02	CTM029PT	3.81	0.150	500	0.26
03	CTM039PT	7.62	0.300	400	0.31
04	CTM049PT	11.43	0.450	300	0.31
05	CTM059PT	15.24	0.600	250	0.33
06	CTM069PT	19.05	0.750	200	0.31
07	CTM079PT	22.86	0.900	175	0.32
08	CTM089PT	26.67	1.050	125	0.31
09	CTM099PT	30.48	1.200	125	0.29
10	CTM109PT	34.29	1.350	100	0.26
11	CTM119PT	38.10	1.500	100	0.29
12	CTM129PT	41.91	1.650	75	0.23
13	CTM139PT	45.72	1.800	75	0.25
14	CTM149PT	49.53	1.950	100	0.27
15	CTM159PT	53.34	2.100	100	0.29
16	CTM169PT	57.15	2.250	100	0.31
17	CTM179PT	60.96	2.400	50	0.22
18	CTM189PT	64.77	2.550	50	0.23
19	CTM199PT	68.58	2.700	50	0.25
20	CTM209PT	72.39	2.850	50	0.26
21	CTM219PT	76.20	3.000	50	0.27
22	CTM229PT	80.01	3.150	50	0.29
23	CTM239PT	83.82	3.300	50	0.30
24	CTM249PT	87.63	3.450	50	0.31
25	CTM259PT	91.44	3.600	50	0.33



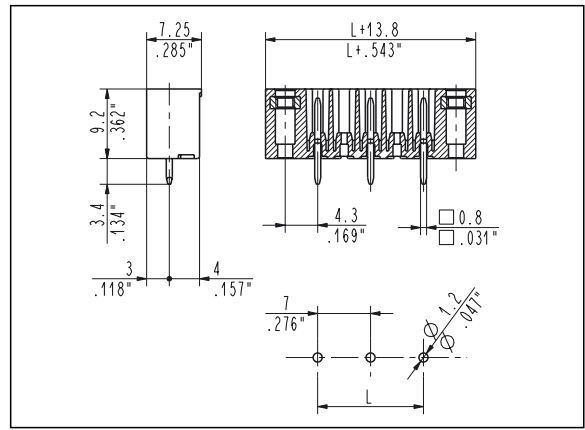
CTM_9P7 90°, Polarized Male
7.62 mm / .300" Pitch Weight per pole: 0.31 g

Poles	STD Code	L [mm]	L [inch]	Pcs/pack.	W [kg]
02	CTM029P7	7.62	0.300	400	0.25
03	CTM039P7	15.24	0.600	250	0.23
04	CTM049P7	22.86	0.900	175	0.22
05	CTM059P7	30.48	1.200	125	0.20
06	CTM069P7	38.10	1.500	100	0.19
07	CTM079P7	45.72	1.800	100	0.16
08	CTM089P7	53.34	2.100	100	0.19
09	CTM099P7	60.96	2.400	50	0.14
10	CTM109P7	68.58	2.700	50	0.16
11	CTM119P7	76.20	3.000	50	0.17
12	CTM129P7	83.82	3.300	50	0.19
13	CTM139P7	91.44	3.600	50	0.20



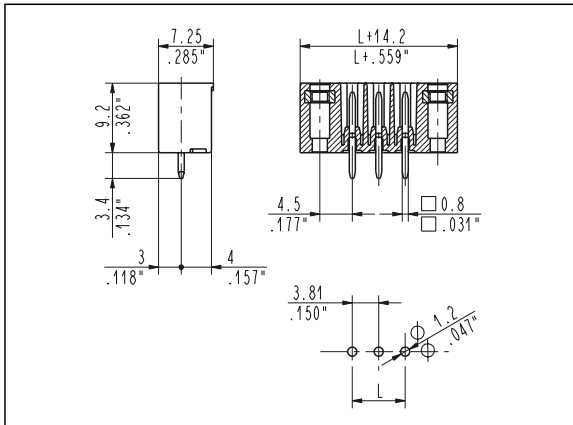
CTM_0V8 Straight, Locking Screw Flanges Male
3.5 mm / .138" Pitch Weight per pole: 0.52 g

Poles	STD Code	L [mm]	L [inch]	Pcs/pack.	W [kg]
02	CTM020V8	3.50	0.138	250	0.26
03	CTM030V8	7.00	0.276	200	0.31
04	CTM040V8	10.50	0.413	175	0.36
05	CTM050V8	14.00	0.551	150	0.39
06	CTM060V8	17.50	0.689	125	0.39
07	CTM070V8	21.00	0.827	100	0.36
08	CTM080V8	24.50	0.965	100	0.42
09	CTM090V8	28.00	1.102	75	0.35
10	CTM100V8	31.50	1.240	75	0.39
11	CTM110V8	35.00	1.378	75	0.43
12	CTM120V8	38.50	1.516	75	0.47
13	CTM130V8	42.00	1.654	75	0.51
14	CTM140V8	45.50	1.791	50	0.36
15	CTM150V8	49.00	1.929	50	0.39
16	CTM160V8	52.50	2.067	50	0.42
17	CTM170V8	56.00	2.205	50	0.44
18	CTM180V8	59.50	2.343	50	0.47
19	CTM190V8	63.00	2.480	50	0.49
20	CTM200V8	66.50	2.618	50	0.52
21	CTM210V8	70.00	2.756	50	0.55
22	CTM220V8	73.50	2.894	50	0.57
23	CTM230V8	77.00	3.031	50	0.60



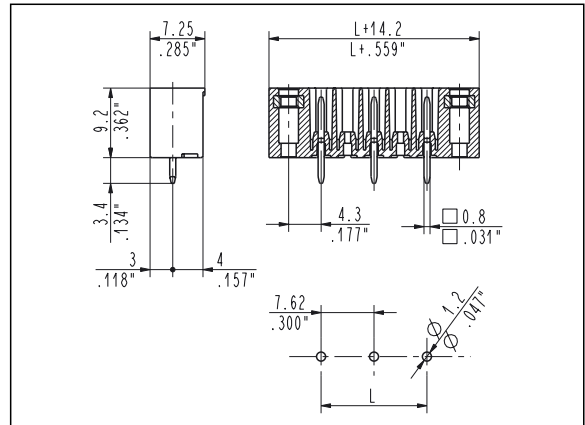
CTM_0V9 Straight, Locking Screw Flanges Male
7 mm / .275" Pitch Weight per pole: 0.55 g

Poles	STD Code	L [mm]	L [inch]	Pcs/pack.	W [kg]
02	CTM020V9	7.00	0.276	200	0.22
03	CTM030V9	14.00	0.551	150	0.25
04	CTM040V9	21.00	0.827	100	0.22
05	CTM050V9	28.00	1.102	75	0.21
06	CTM060V9	35.00	1.378	75	0.25
07	CTM070V9	42.00	1.654	75	0.29
08	CTM080V9	49.00	1.929	50	0.22
09	CTM090V9	56.00	2.205	50	0.25
10	CTM100V9	63.00	2.480	50	0.28
11	CTM110V9	70.00	2.756	50	0.31
12	CTM120V9	77.00	3.031	50	0.34



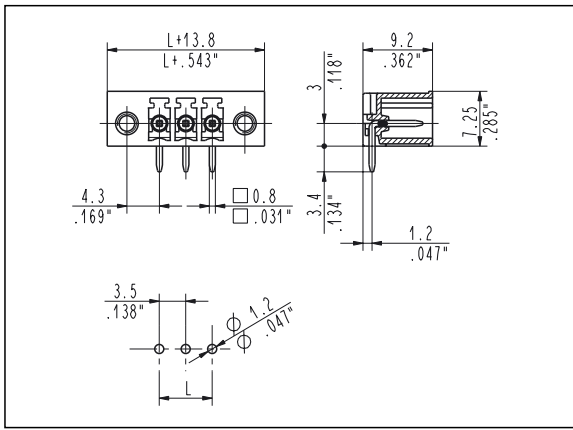
CTM_0VT Straight, Locking Screw Flanges Male
3.81 mm / .150" Pitch Weight per pole: 0.52 g

Poles	STD Code	L [mm]	L [inch]	Pcs/pack.	W [kg]
02	CTM020VT	3.81	0.150	250	0.26
03	CTM030VT	7.62	0.300	200	0.31
04	CTM040VT	11.43	0.450	175	0.36
05	CTM050VT	15.24	0.600	150	0.39
06	CTM060VT	19.05	0.750	125	0.39
07	CTM070VT	22.86	0.900	100	0.36
08	CTM080VT	26.67	1.050	100	0.42
09	CTM090VT	30.48	1.200	75	0.35
10	CTM100VT	34.29	1.350	75	0.39
11	CTM110VT	38.10	1.500	75	0.43
12	CTM120VT	41.91	1.650	75	0.47
13	CTM130VT	45.72	1.800	75	0.51
14	CTM140VT	49.53	1.950	50	0.36
15	CTM150VT	53.34	2.100	50	0.39
16	CTM160VT	57.15	2.250	50	0.42
17	CTM170VT	60.96	2.400	50	0.44
18	CTM180VT	64.77	2.550	50	0.47
19	CTM190VT	68.58	2.700	50	0.49
20	CTM200VT	72.39	2.850	50	0.52
21	CTM210VT	76.20	3.000	50	0.55
22	CTM220VT	80.01	3.150	50	0.57
23	CTM230VT	83.82	3.300	50	0.60



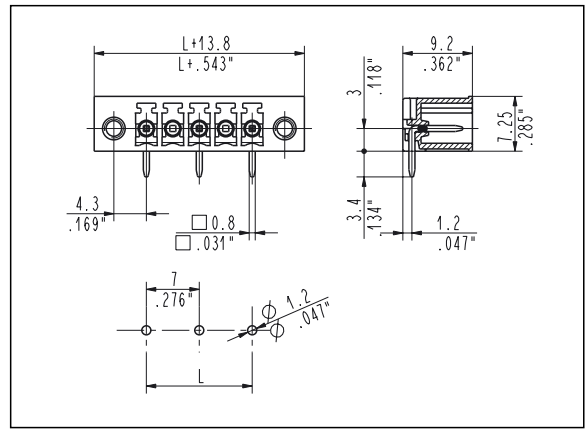
CTM_0V7 Straight, Locking Screw Flanges Male
7.62 mm / .300" Pitch Weight per pole: 0.55 g

Poles	STD Code	L [mm]	L [inch]	Pcs/pack.	W [kg]
02	CTM020V7	7.62	0.300	200	0.22
03	CTM030V7	15.24	0.600	150	0.25
04	CTM040V7	22.86	0.900	100	0.22
05	CTM050V7	30.48	1.200	75	0.21
06	CTM060V7	38.10	1.500	75	0.25
07	CTM070V7	45.72	1.800	75	0.29
08	CTM080V7	53.34	2.100	50	0.22
09	CTM090V7	60.96	2.400	50	0.25
10	CTM100V7	68.58	2.700	50	0.28
11	CTM110V7	76.20	3.000	50	0.31
12	CTM120V7	83.82	3.300	50	0.34



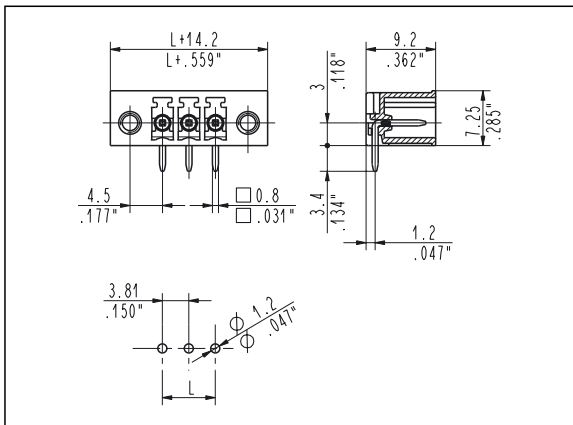
CTM_9V8 90°, Locking Screw Flanges Male
3.5 mm / .138" Pitch Weight per pole: 0.52 g

Poles	STD Code	L [mm]	L [inch]	Pcs/pack.	W [kg]
02	CTM029V8	3.50	0.138	250	0.26
03	CTM039V8	7.00	0.276	200	0.31
04	CTM049V8	10.50	0.413	175	0.36
05	CTM059V8	14.00	0.551	150	0.39
06	CTM069V8	17.50	0.689	125	0.39
07	CTM079V8	21.00	0.827	100	0.36
08	CTM089V8	24.50	0.965	100	0.42
09	CTM099V8	28.00	1.102	75	0.35
10	CTM109V8	31.50	1.240	75	0.39
11	CTM119V8	35.00	1.378	75	0.43
12	CTM129V8	38.50	1.516	75	0.47
13	CTM139V8	42.00	1.654	75	0.51
14	CTM149V8	45.50	1.791	50	0.36
15	CTM159V8	49.00	1.929	50	0.39
16	CTM169V8	52.50	2.067	50	0.42
17	CTM179V8	56.00	2.205	50	0.44
18	CTM189V8	59.50	2.343	50	0.47
19	CTM199V8	63.00	2.480	50	0.49
20	CTM209V8	66.50	2.618	50	0.52
21	CTM219V8	70.00	2.756	50	0.55
22	CTM229V8	73.50	2.894	50	0.57
23	CTM239V8	77.00	3.031	50	0.60



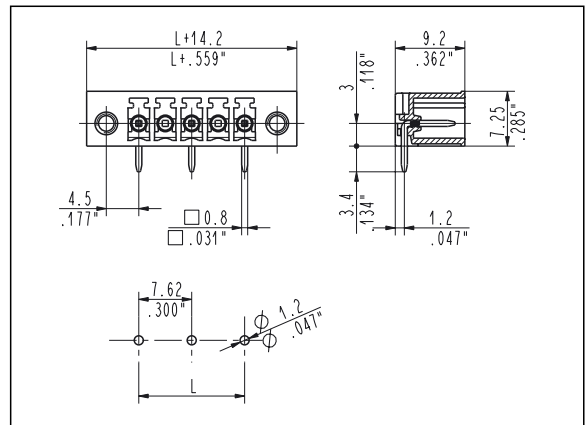
CTM_9V9 90°, Locking Screw Flanges Male
7 mm / .275" Pitch Weight per pole: 0.55 g

Poles	STD Code	L [mm]	L [inch]	Pcs/pack.	W [kg]
02	CTM029V9	7.00	0.276	200	0.22
03	CTM039V9	14.00	0.551	150	0.25
04	CTM049V9	21.00	0.827	100	0.22
05	CTM059V9	28.00	1.102	75	0.21
06	CTM069V9	35.00	1.378	75	0.25
07	CTM079V9	42.00	1.654	75	0.29
08	CTM089V9	49.00	1.929	50	0.22
09	CTM099V9	56.00	2.205	50	0.25
10	CTM109V9	63.00	2.480	50	0.28
11	CTM119V9	70.00	2.756	50	0.31
12	CTM129V9	77.00	3.031	50	0.34



CTM_9VT 90°, Locking Screw Flanges Male
3.81 mm / .150" Pitch Weight per pole: 0.52 g

Poles	STD Code	L [mm]	L [inch]	Pcs/pack.	W [kg]
02	CTM029VT	3.81	0.150	250	0.26
03	CTM039VT	7.62	0.300	200	0.31
04	CTM049VT	11.43	0.450	175	0.36
05	CTM059VT	15.24	0.600	150	0.39
06	CTM069VT	19.05	0.750	125	0.39
07	CTM079VT	22.86	0.900	100	0.36
08	CTM089VT	26.67	1.050	100	0.42
09	CTM099VT	30.48	1.200	75	0.35
10	CTM109VT	34.29	1.350	75	0.39
11	CTM119VT	38.10	1.500	75	0.43
12	CTM129VT	41.91	1.650	75	0.47
13	CTM139VT	45.72	1.800	75	0.51
14	CTM149VT	49.53	1.950	50	0.36
15	CTM159VT	53.34	2.100	50	0.39
16	CTM169VT	57.15	2.250	50	0.42
17	CTM179VT	60.96	2.400	50	0.44
18	CTM189VT	64.77	2.550	50	0.47
19	CTM199VT	68.58	2.700	50	0.49
20	CTM209VT	72.39	2.850	50	0.52
21	CTM219VT	76.20	3.000	50	0.55
22	CTM229VT	80.01	3.150	50	0.57
23	CTM239VT	83.82	3.300	50	0.60



CTM_9V7 90°, Locking Screw Flanges Male
7.62 mm / .300" Pitch Weight per pole: 0.55 g

Poles	STD Code	L [mm]	L [inch]	Pcs/pack.	W [kg]
02	CTM029V7	7.62	0.300	200	0.22
03	CTM039V7	15.24	0.600	150	0.25
04	CTM049V7	22.86	0.900	100	0.22
05	CTM059V7	30.48	1.200	75	0.21
06	CTM069V7	38.10	1.500	75	0.25
07	CTM079V7	45.72	1.800	75	0.29
08	CTM089V7	53.34	2.100	50	0.22
09	CTM099V7	60.96	2.400	50	0.25
10	CTM109V7	68.58	2.700	50	0.28
11	CTM119V7	76.20	3.000	50	0.31
12	CTM129V7	83.82	3.300	50	0.34

X-ON Electronics

Largest Supplier of Electrical and Electronic Components

Click to view similar products for [Headers & Wire Housings](#) category:

Click to view products by [Sauro](#) manufacturer:

Other Similar products are found below :

[95000-104TRLF](#) [10135584-644402LF](#) [DF62W-EP2022PCA](#) [95000-106TRLF](#) [DF62W-2022SCA](#) [DF62W-EP2022PC](#) [2203348](#) [DF62W-2022SC](#) [1084018](#) [1029039](#) [1084017](#) [802-10-012-10-002000](#) [1112640](#) [1112639](#) [891-007-9SS-BST1T](#) [000-34000](#) [0008550134](#) [0009482033](#) [0009507031](#) [57102-F02-18ULF](#) [57102-S06-03LF](#) [57202-S52-04LF](#) [PCN6-15S-2.5E](#) [0039019024](#) [58102-G61-06LF](#) [582553-1](#) [0009485154](#) [0009508121](#) [0022285053](#) [0050291907](#) [018731A](#) [LY20-4P-DT1-P1E-BR](#) [02.125.8002.8](#) [60101931](#) [60598-1 \(Cut Strip\)](#) [M1625-3R/100](#) [61062-3](#) [61082-181009](#) [CSU011177004](#) [636-1427](#) [638009-1](#) [641938-9](#) [641991-4](#) [644168-1](#) [644827-2](#) [647662-1](#) [65039-019ELF](#) [65692-001LF](#) [65781-018](#) [65781-047](#)