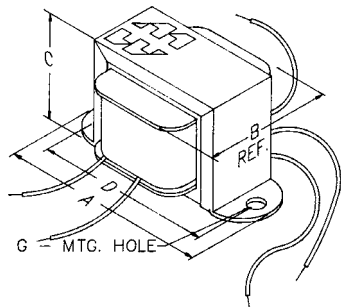
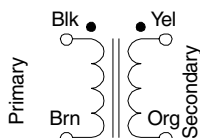


Chassis & P.C. Board Mount (612, 630-632 Series)

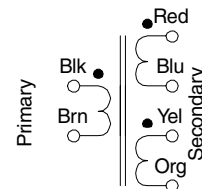


PULSE TRANSFORMERS

- Economical, open style, chassis mount.
- Mounting hole (G) - .187"
- Units are intended for pulse applications including thyristor/triac firing circuits.
- Flexible leads - 4" minimum.

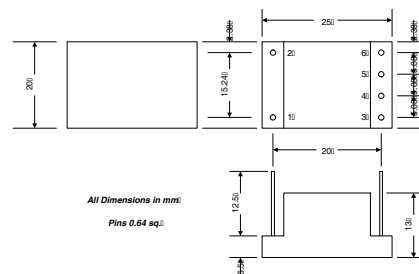
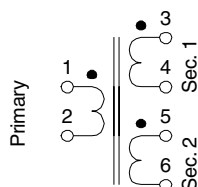


612G



612H

Part No.	Ratio	Circuit Max. Volts	Primary ET Constant V (uS)	Primary		D.C. Winding Resistance		Max. Primary or Secondary Peak Current		Insulation RMS (Volts)	Wt. Oz.	Dimensions (Inches)			
				Inductance mH (min.)	D.C. Res. (Ohms)	Sec. 1 (Ohms)	Sec. 2 (Ohms)	@ 10% Duty	@ 1% Duty			A	B	C	D
612G	1:01	600	4500	6.6	0.87	0.87	-	0.9 A	2.8 A	4000	8	2.06	1.25	1.19	1.75
612H	1:01	600	2300	1.5	0.45	0.42	0.49	0.9 A	2.8 A	4000	8	2.06	1.25	1.19	1.75



PULSE TRANSFORMERS

- These transformers are fully encapsulated in a high grade black molded case with a UL94V-O rating.
- They are intended mainly for thyristor / triac triggering applications.
- All units are voltage proof tested between windings at 2,500V RMS for 1 minute, for a working voltage rating maximum of 440V RMS.

Pulse

Part No.	Turns Ratio	Primary		Leakage Inductance uH (max)	Capacity pf. (max)	D.C. Winding Resistance			
		Inductance mH (min.)	ET Constant V uS			Pri. (Ohms)	Sec. 1 (Ohms)	Sec. 2 (Ohms)	Sec. 3 (Ohms)
630B	1:01	1	120	2	50	0.25	0.23	-	-
631B	1:01	1	120	3	40	0.25	0.22	0.28	-
632B	2:01	1	120	3.5	30	0.24	0.12	0.15	-
630C	1:01	4	240	5	55	0.86	0.83	-	-
631C	1:01	4	240	11	35	0.90	0.76	1.10	-
632C	2:01:01	4	240	11	35	0.84	0.38	0.50	-
630D	1:01:00	16.3	482	18	65	3.50	3.40	-	-
631D	1:01:01	16.3	482	40	40	3.60	3.10	4.20	-
632D	2:01:01	16.3	482	40	40	3.50	1.60	2.00	-



CANADA
Guelph, Ontario (519) 822-2960
St. Laurent, Quebec (514) 343-9010
USA
Cheektowaga, NY (716) 630-7030

www.hammondmfg.com



EUROPE
Basingstoke, UK 01256 812812

AUSTRALIA
Queenstown, Australia 61-8-8240-2244

X-ON Electronics

Largest Supplier of Electrical and Electronic Components

Click to view similar products for [Pulse Transformers](#) category:

Click to view products by [Hammond](#) manufacturer:

Other Similar products are found below :

[IF-18-0269-N](#) [PHT-068](#) [PT5010](#) [PE-65457NLT](#) [T60403-D4721-X088](#) [H1183NLT](#) [CTX33-18971-R](#) [HM2108NLT](#) [PA1825NLT](#)
[HM0068ANLT](#) [PE-6292](#) [P0584ANL](#) [CX2044LNL](#) [PG1427.001NLT](#) [750313723](#) [TGMR-512V6LF](#) [HM1331NL](#) [TGMR-430V8LF](#) [TGMR-](#)
[501V6LF](#) [76615/1C](#) [B82804A0304A225](#) [TGM-040P3RL](#) [TGMR-Q440V8LF](#) [TGM-450NFRL](#) [IT 238](#) [HM41-11210LF](#) [TGM-210NSRL](#)
[TGM-240NSRL](#) [TGM-240NSLF](#) [TGM-030P3RL](#) [CTX16-17360](#) [ITNA-0239-D202](#) [TGM-H280V8LF](#) [TGM-340NARL](#) [T60403-D4097-](#)
[X052](#) [ITRB-0239-D502](#) [TGM-H240V8LF](#) [78601/2JC-R](#) [TGAD-292NARL](#) [HX6096NLT](#) [78601/2MC-R](#) [T60403-D4215-X177](#) [78613/1JC](#)
[600PA](#) [H1183NL](#) [TGMR-502V6LF](#) [CTX02-13664](#) [TGMR-380V6LF](#) [T60403-F5046-X008](#) [TGM-H260V8LF](#)