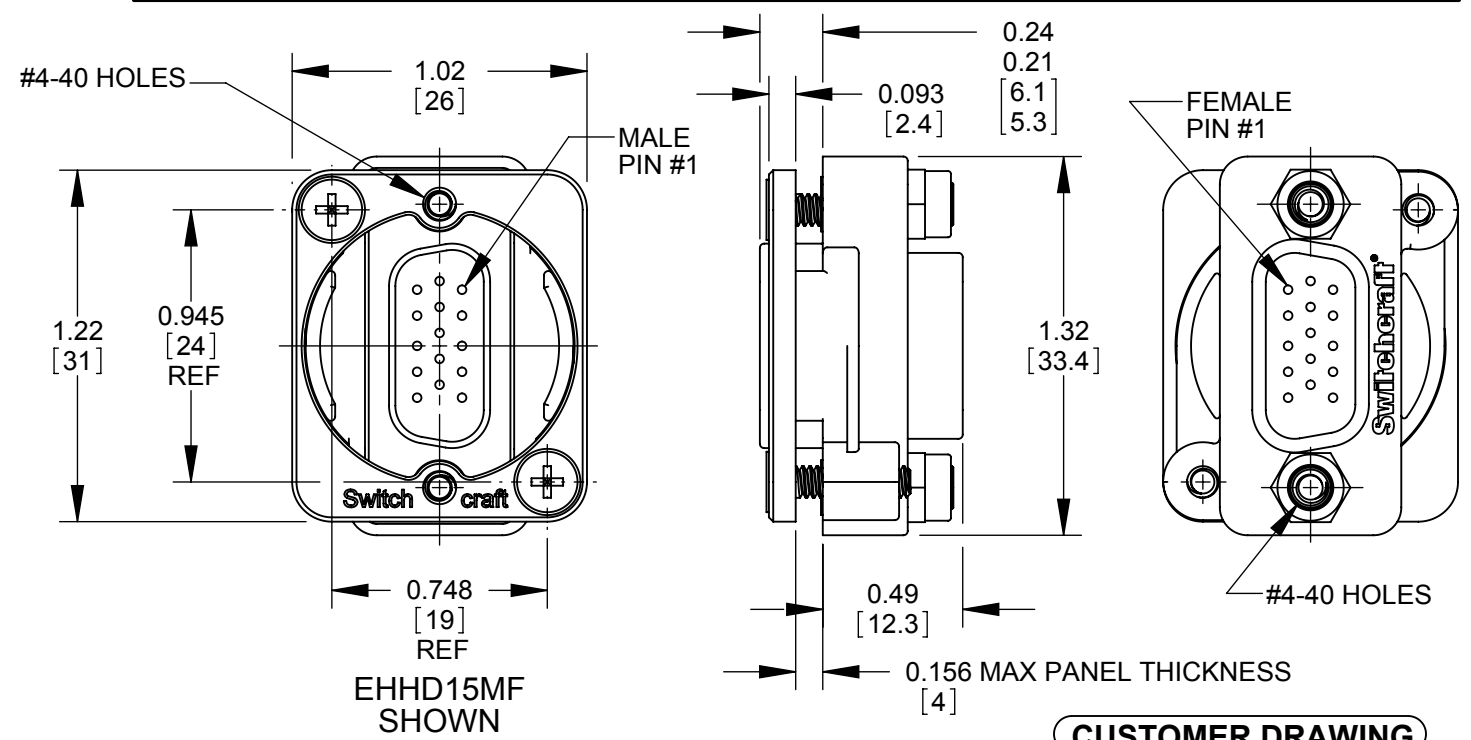
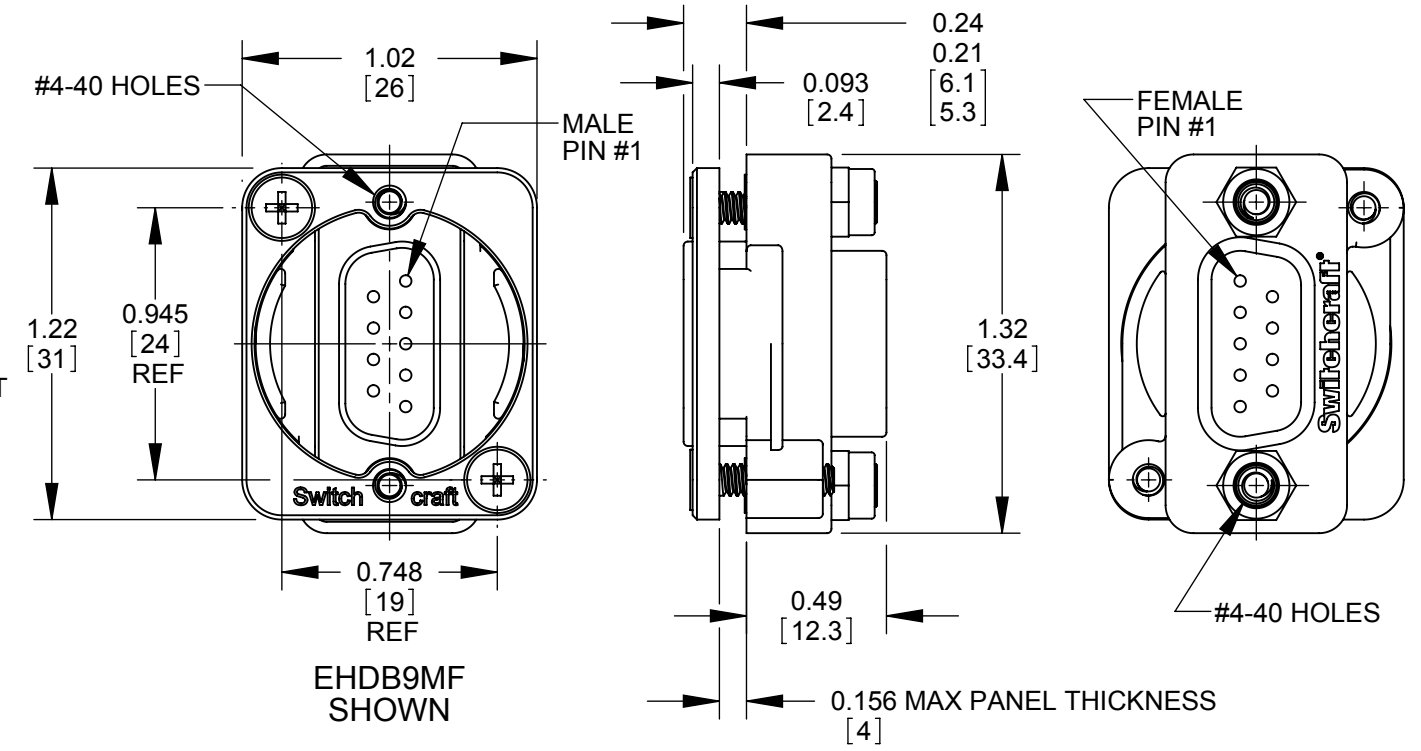


EH * * *

FINISH, FLANGE AND MOUNTING SCREW
BLANK - NICKEL
B - BLACK

GENDER
MM - MALE TO MALE
MF - MALE TO FEMALE
FF - FEMALE TO FEMALE

TYPE OF ADAPTER
DB9 - 9 PIN D-SUB
HD15 - 15 PIN HIGH DENSITY D-SUB



CUSTOMER DRAWING

NOTES:

- MATERIALS:
MOUNTING SCREWS - STEEL, NICKEL OR BLACK OXIDE FINISH.
FRONT FLANGE - BRASS, NICKEL OR BLACK CHROME FINISH.
D SUB ADAPTER:
INSULATOR - PBT GLASS FIBER REINFORCED
CONTACT - BRASS, GOLD PLATED OVER NICKEL
SHELL - NICKEL SILVER, TIN PLATED
HOUSING - PBT, 30% GLASS FIBER
JACKPOST - BRASS, NICKEL PLATED
- PARTS SHIPPED UNASSEMBLED.
- D-SUB CONNECTOR MAY BE ORIENTATED OPPOSITE AS SHOWN AND MALE-FEMALE MAY BE ASSEMBLED WITH THE FEMALE IN FRONT.
- THESE PRODUCTS ARE RoHS COMPLIANT.

REV	ECO NUMBER	DATE	BY	APVD
D	26941	4-12-12	TO	TJK
C	26494	1/22/10	RS	TJK
B	26415	7/17/09	RS	TJK
A	ECO 25822	7/23/08	BS	TJK
REVISIONS				

UNLESS OTHERWISE SPECIFIED

1. ALL DIMENSIONS IN INCHES
- TWO PLACE DECIMALS ±0.02
- THREE PLACE DECIMALS ±0.005

DO NOT SCALE DRAWING

THIS DRAWING DESCRIBES A DESIGN CONSIDERED PROPRIETARY IN NATURE, DEVELOPED AND MANUFACTURED BY SWITCHCRAFT INC. AND IS RELEASED ON A CONFIDENTIAL BASIS FOR IDENTIFICATION PURPOSES ONLY.									
SIZE	WIDTH	MULT	LBS/M	TEMPER					
FINISH SPEC No.					MATERIAL SPEC No.				
FIRST USED ON					SCALE 1.5:1				
DATE DRAWN	BY	CHKD	APVD	Switchcraft®					
9/28/06	JK	JK	JK	SHEET 1 OF 1					
NAME				E SERIES D-SUB CONNECTOR, RoHS			PART No.		REV
				EHDB9 & EHHD15 SERIES			D		

X-ON Electronics

Largest Supplier of Electrical and Electronic Components

Click to view similar products for [D-Sub High Density Connectors](#) category:

Click to view products by [Switchcraft](#) manufacturer:

Other Similar products are found below :

[1484349-1](#) [163A16769X](#) [163A16809X](#) [163A17089X](#) [164A17199X](#) [164A17209X](#) [164A17479X](#) [164A18209X](#) [17BH-044S-AA110](#) [K86X-AD-26S](#) [KF66X-A26P-NJ](#) [KF66X-E15P-N](#) [241A17320X](#) [242A18390X](#) [242A25740X](#) [L717HDB44POL2R210](#) [L717HDCH62POL2RM5](#) [L717HDEH15POL2](#) [L777HDE15P](#) [L77HDC62S](#) [L77HDE15SC309](#) [163A16779X](#) [163A16839X](#) [163A17049X](#) [163A17079X](#) [164A17309X](#) [164A17329X](#) [164A18219X](#) [241A16440X](#) [241A16550X](#) [241A16680X](#) [241A17390X](#) [241A20810X](#) [241A25740X](#) [CT25-44P](#) [K66X-E15S-N30](#) [K86X-BA-44S](#) [K86X-ED-15S-BR15](#) [K86X-ED-15SK](#) [L177HDE15SOL2RM23](#) [L177HRC62S](#) [L177HRC62SVFM](#) [L177HRCG62S](#) [L717HDBH44POL2RM5](#) [L717HDEG15POL2RM5](#) [L77HDA26SVF](#) [L77HDE15SD1CO](#) [L77HDEH15SOL2RM832](#) [DAMA-15S-WS](#)
[443895-3](#)