

1

2

3

4

A

B

C

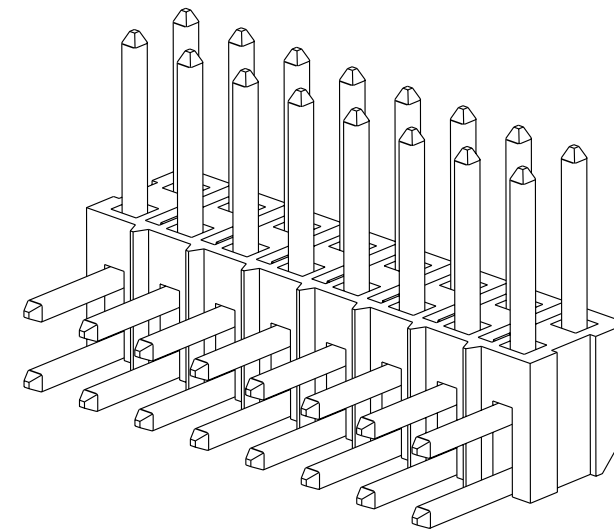
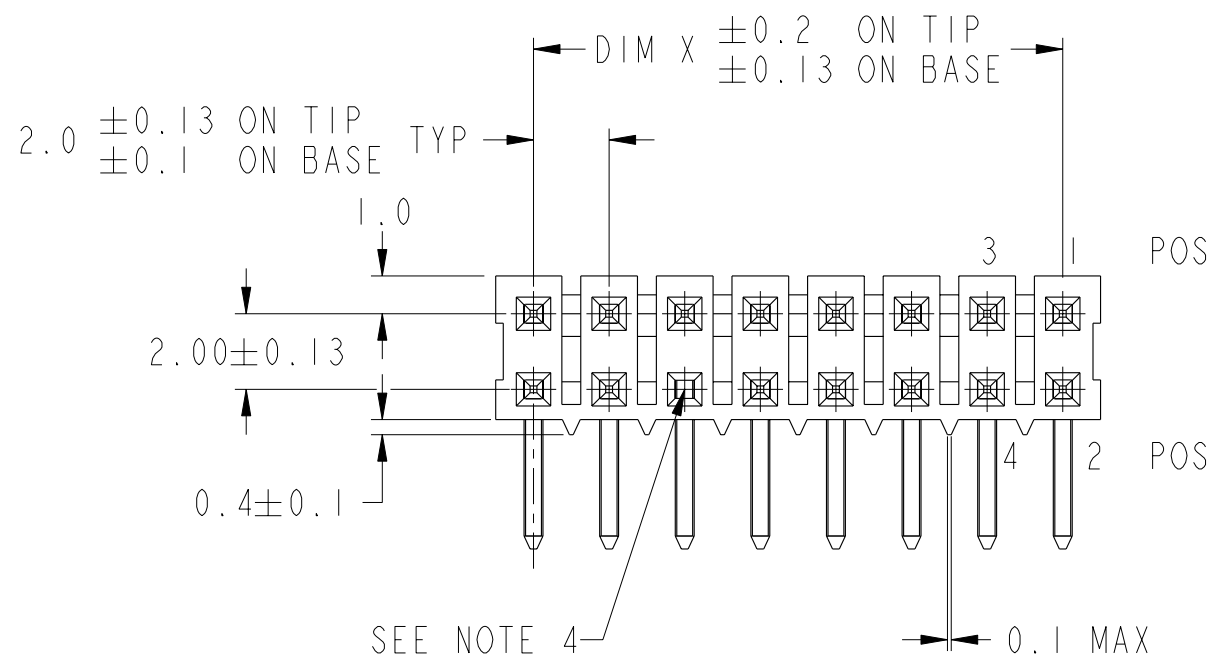
D

A

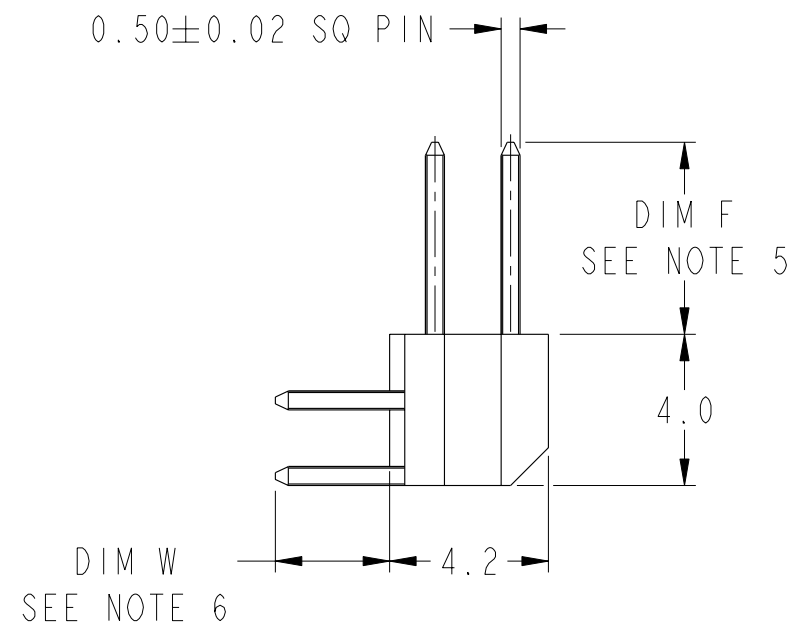
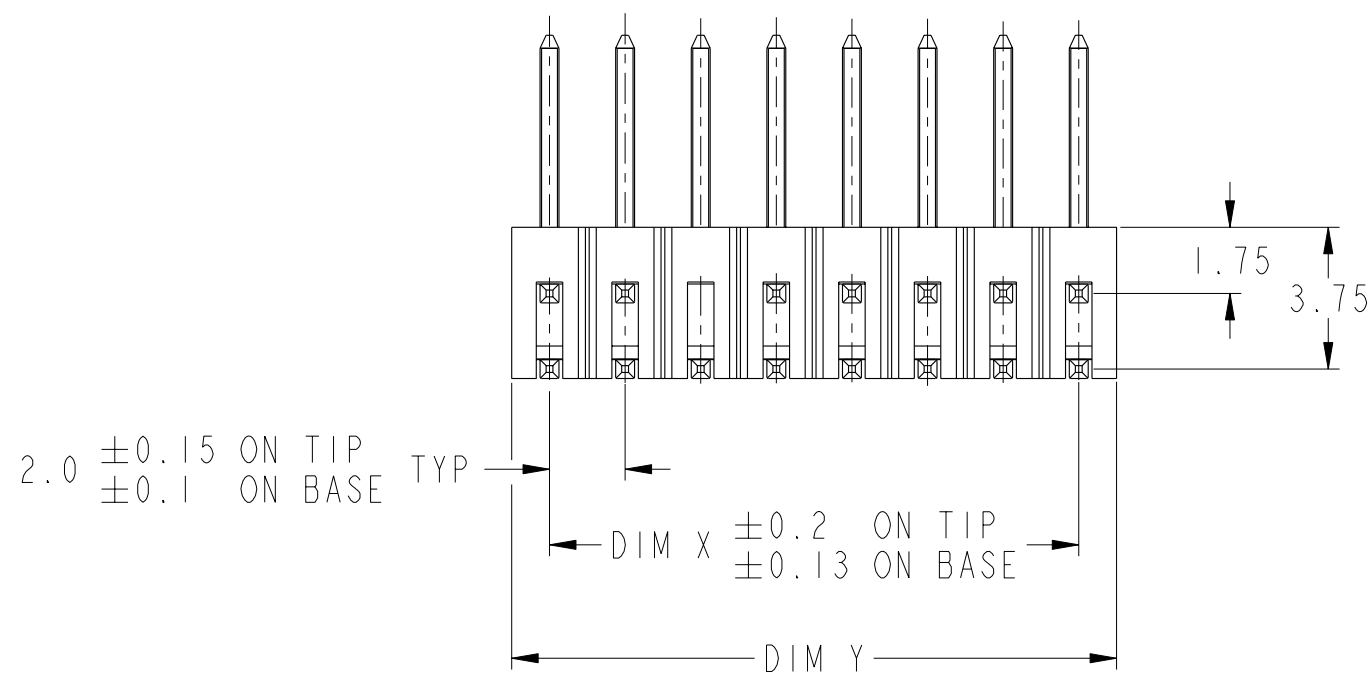
B

C

D



ISOMETRIC VIEW



CONFIDENTIAL

www.fciconnect.com		surface - <input checked="" type="checkbox"/> ISO 1302	tolerance std ISO 406 ISO 1101	projection	MM
TOLERANCES UNLESS OTHERWISE SPECIFIED					
Dr	BS LOW	1998-07-29	ANGULAR	x.X	±-
Eng	JPEH	2002-12-19	LINEAR	x.XX	±0.25
Chr	KH LEE	2010-02-04	0° ±°	x.XXX	±-
Appr	JOEY NG	2010-02-04	Product family	MINITEK	Spec ref -
FCI			title MINITEX II		Rev. E
			POL. R/A HEADER (SnPb S.T)		dwg no 63411
			catalog no -		CUSTOMER sheet 1 of 2

rev	ecn no	dr	date
A	S80194	BSL	1998-07-29
B	S20149	JPEH	2002-12-18
C	S04-0271	KBM	2004-12-20
D	S06-0236	KHL	2006-07-17
E	S10-0205	AK	2010-02-04
-	-	-	-
-	-	-	-

Copyright FCI.

1

2

3

4

PRODUCT NO	POS	POL.POS	DIM X	DIM Y	DIM "W"	DIM "F"
63411-X01	2 X 3	3	4	6	2.5	4.0
63411-X02	2 X 8	--	14	16	3.0	5.08

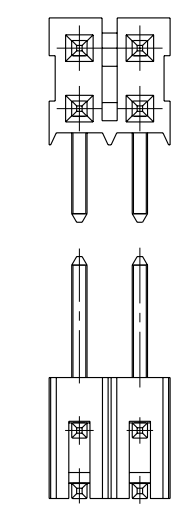
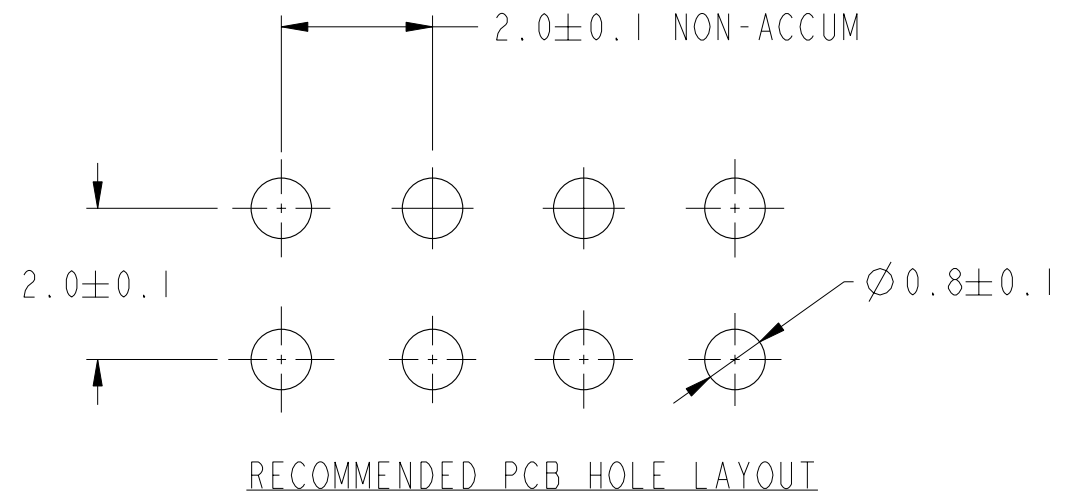


FIG. 1  
SEE NOTE 3

**NOTES**

- MATERIAL  
BODY : HIGH TEMPERATURE PLASTIC UL 94V-0 BLACK  
PIN : COPPER ALLOY
- TOLERANCE UNLESS OTHERWISE NOTED  $\pm 0.25$
- STAND-OFF DESIGN FOR 2X2 POS.(FIG. 1).
- POLARISED BY OMISSION OF PINS.  
REFER TABLE FOR POSITION.
- PLATING ON MATING LENGTH:  
-1XX --- 0.76 $\mu$ m Au OVER 1.27 $\mu$ m MIN Ni UNDERPLATE.  
-3XX --- 0.38 $\mu$ m Au OVER 1.27 $\mu$ m MIN Ni UNDERPLATE.  
-5XX --- 0.38 $\mu$ m PdNi WITH Au FLASH OVER 1.27 $\mu$ m MIN Ni UNDERPLATE.  
-6XX --- 0.76 $\mu$ m PdNi WITH Au FLASH OVER 1.27 $\mu$ m MIN Ni UNDERPLATE.
- SOLDER TAIL PLATING:  
a) 3.81 $\mu$ m MIN TIN/LEAD PLATING OVER 1.27 $\mu$ m MIN NICKEL UNDERPLATE FOR P/N: 63411-XXX.  
b) 2.54 $\mu$ m MIN 100% MATTE TIN PLATING OVER 1.27 $\mu$ m MIN NICKEL UNDERPLATE FOR P/N: 63411-XXXLF.
- STANDARD PACKAGING : POLY BAG
- PRODUCT DESCRIPTION CODE:  
XXXXX-XXXLF  
LEAD FREE (SEE NOTES 6b & 11)  
EXTENSION NUMBER  
BASE NUMBER
- THE HOUSING WILL WITHSTAND EXPOSURE TO 255°C PEAK TEMPERATURE FOR 10 SECONDS IN A CONVECTION, INFRA-RED OR VAPOR PHASE REFLOW OVEN.

- THE HOUSING WILL WITHSTAND EXPOSURE TO 260°C PEAK TEMPERATURE FOR 10 SECONDS IN A WAVE SOLDER APPLICATION WITH A 1.57MM MINIMUM THICK CIRCUIT BOARD.
- THIS PRODUCT MEETS EUROPEAN UNION DIRECTIVES AND OTHER COUNTRY REGULATIONS AS DESCRIBED IN GS-22-008.
- A  $\triangle E$  SYMBOL WILL BE NEXT TO ANY DIMENSION, VIEW OR NOTE WHICH HAS BEEN MODIFIED WITH THE CURRENT DRAWING REVISION.

Copyright FCI.

**CONFIDENTIAL**

www.fciconnect.com			surface <input checked="" type="checkbox"/> ISO 1302	tolerance std <input checked="" type="checkbox"/> ISO 406 <input checked="" type="checkbox"/> ISO 1101	projection	MM
TOLERANCES UNLESS OTHERWISE SPECIFIED						
Dr	BS LOW	1998-07-29	ANGULAR	LINEAR	x.x	±-
Eng	JPEH	2002-12-19			x.xx	±0.25
Chr	KH LEE	2010-02-04	0°	±°	x.xxx	±-
Appr	JOEY NG	2010-02-04	Product family		MINITEK	Spec ref -
			title		MINITEX II	Rev.
			dwg no		63411	E
			catalog no		-	sheet 2 of 2

## X-ON Electronics

Largest Supplier of Electrical and Electronic Components

*Click to view similar products for [Headers & Wire Housings](#) category:*

*Click to view products by [FCT Electronics](#) manufacturer:*

Other Similar products are found below :

[95000-104TRLF](#) [10135584-644402LF](#) [DF62W-EP2022PCA](#) [95000-106TRLF](#) [DF62W-2022SCA](#) [DF62W-EP2022PC](#) [2203348](#) [DF62W-2022SC](#) [1084018](#) [1029039](#) [1084017](#) [802-10-012-10-002000](#) [1112640](#) [1112639](#) [891-007-9SS-BST1T](#) [000-34000](#) [0008550134](#) [0009482033](#) [0009507031](#) [57102-F02-18ULF](#) [57102-S06-03LF](#) [57202-S52-04LF](#) [PCN6-15S-2.5E](#) [0039019024](#) [58102-G61-06LF](#) [582553-1](#) [0009485154](#) [0009508121](#) [0022285053](#) [0050291907](#) [018731A](#) [LY20-4P-DT1-P1E-BR](#) [02.125.8002.8](#) [60101931](#) [60598-1 \(Cut Strip\)](#) [M1625-3R/100](#) [61062-3](#) [61082-181009](#) [CSU011177004](#) [636-1427](#) [638009-1](#) [641938-9](#) [641991-4](#) [644168-1](#) [644827-2](#) [647662-1](#) [65039-019ELF](#) [65692-001LF](#) [65781-018](#) [65781-047](#)