

A	JEC 4/12/99	3730	JEC 4/12/99
B	JEC 11/9/99	3865	JEC 11/9/99
C	JEC 1/4/00	4295	JEC 1/4/00
D	ID 2/7/01	4711	ID 1/8/02
E	ID 1/8/02	4821	ID 4/4/02
F	ID 4/4/02	5071	ID 12/04/02
G	5071	H	5178

ELFH SERIES PART NUMBERING SCHEME

ELFH

TYPE (HEADER)

NUMBER OF POSITIONS

R/A, VERTICAL: 02-24  
MOUNTING EARS: 02-22

CENTERLINE SPACING

1=.197" (5MM)  
2=.200"

STYLE

RIGHT ANGLE

VERTICAL

- 1=CLOSED ENDS
- 2=OPEN ENDS
- 3=CLOSED ENDS; \* HIGH TEMP.
- 4=OPEN ENDS; \* HIGH TEMP.
- 5=CLOSED ENDS
- 6=OPEN ENDS
- 8=CLOSED ENDS; \* HIGH TEMP.
- 9=OPEN ENDS; \* HIGH TEMP.

CONSULT PCD FOR PART NO. AND AVAILABILITY OF FOLLOWING OPTIONS:

- CUSTOM COLORS
- CUSTOM MARKING
- CUSTOM KEYING
- SELECTIVE CONTACT LOADING

COLOR/PLATING  
0=BLACK, TIN-LEAD (STANDARD)  
1=BLACK, SELECTIVE GOLD  
G=GREEN, TIN-LEAD  
1G=GREEN, SEL. GOLD

MOUNTING EARS  
0E=FLUSH MOUNT BLACK, TIN-LEAD  
1E=FLUSH MOUNT BLACK, SEL. GOLD  
GE=FLUSH MOUNT GREEN, TIN-LEAD  
EG=FLUSH MOUNT GREEN, SEL. GOLD



RATINGS

CURRENT - 15A

VOLTAGE - 300V

U.L. FILE NO. E83421



RATINGS

CURRENT - 15A

VOLTAGE - 300V

CSA FILE NO. LR69703



DIN VDE 0627:1986

DIN VDE 0110-1:1989

EN 60947-1:1991

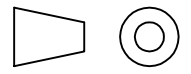
CURRENT - 15A

VOLTAGE - 300V

TUV FILE NO. 20396

DIMENSIONS  
ANSI Y14.5M  
UNITS: INCHES  
ACAD FILE

TOLERANCES  
.XX ±.01  
.XXX ±.005  
ANGLES ±2°



PROJECTION

**SPECIFICATION**  
ENGR J. WILKINSON 11/8/99  
CHKD A. PATRIE 12/4/98  
APPD J. CAHALY 12/11/98



ELFH SERIES  
HEADER ASSEMBLY

TITLE

ORIGINAL  
STAMPED  
IN RED

THIS DOCUMENT CONTAINS  
PROPRIETARY INFORMATION WHICH  
IS THE CONFIDENTIAL PROPERTY  
OF PCD, INC. PEABODY, MA, USA

CODE: 58982

SCALE: NONE

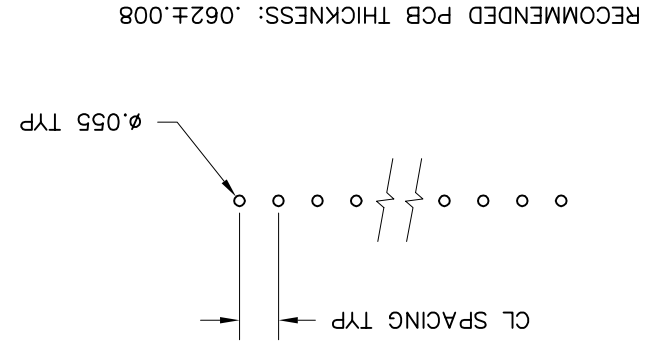
SHEET 1 OF 2

SIZE  
A

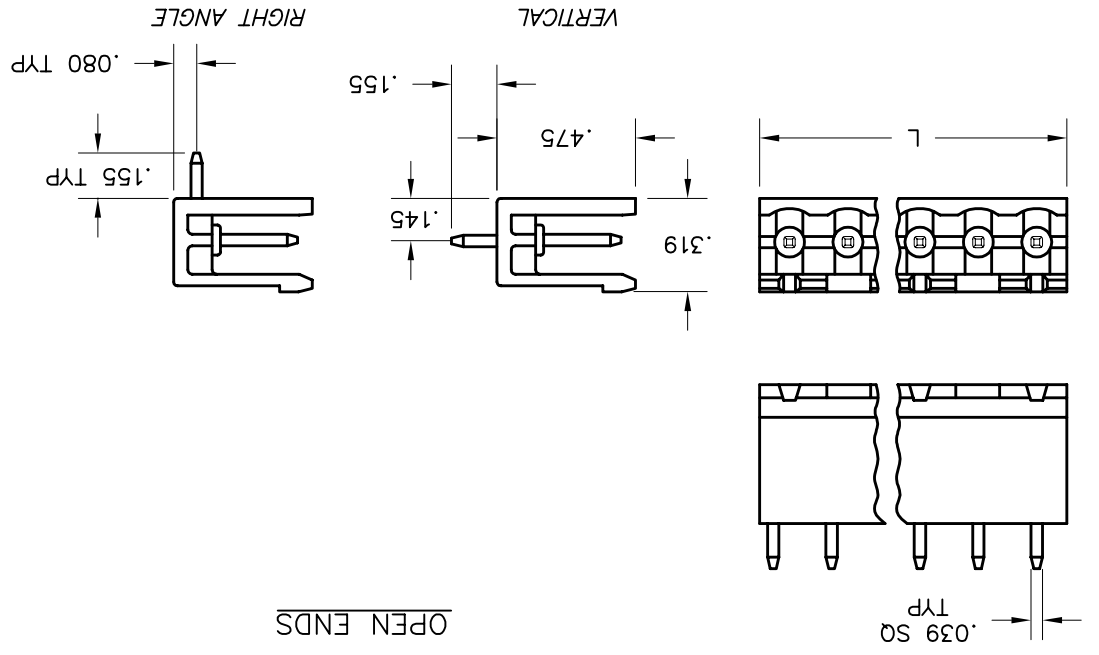
DWG NO.

ELFH02110

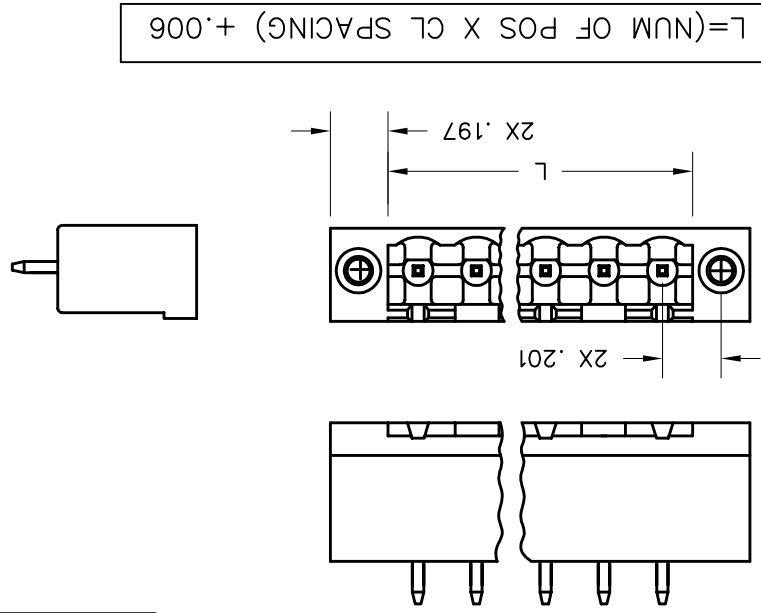
REV  
H



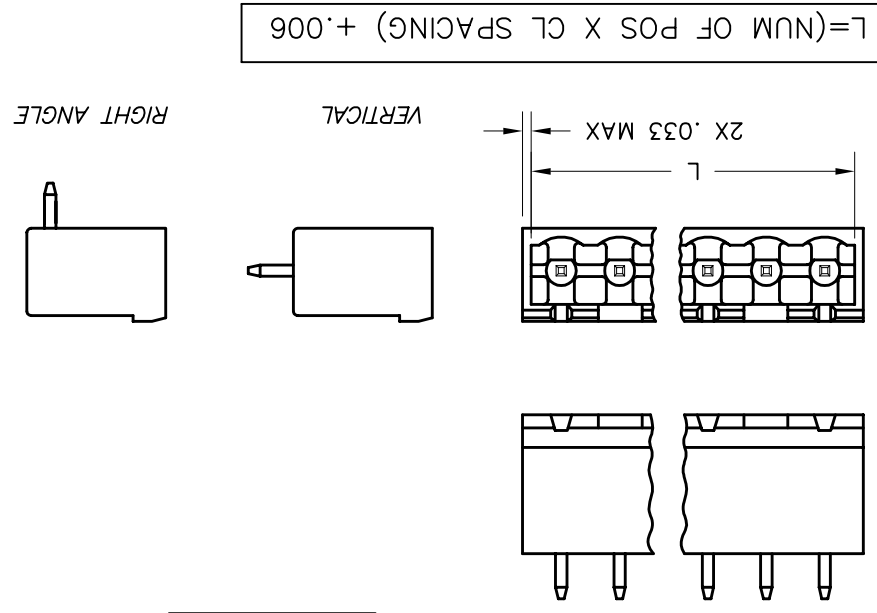
PRINTED CIRCUIT BOARD CONFIGURATION



MOUNTING EARS



CLOSED ENDS



## X-ON Electronics

Largest Supplier of Electrical and Electronic Components

*Click to view similar products for [Headers & Wire Housings](#) category:*

*Click to view products by [Amphenol](#) manufacturer:*

Other Similar products are found below :

[95000-104TRLF](#) [10135584-644402LF](#) [DF62W-EP2022PCA](#) [95000-106TRLF](#) [DF62W-2022SCA](#) [DF62W-EP2022PC](#) [2203348](#) [DF62W-2022SC](#) [1084018](#) [1029039](#) [1084017](#) [802-10-012-10-002000](#) [1112640](#) [1112639](#) [891-007-9SS-BST1T](#) [000-34000](#) [0008550134](#) [0009482033](#) [0009507031](#) [57102-F02-18ULF](#) [57102-S06-03LF](#) [57202-S52-04LF](#) [PCN6-15S-2.5E](#) [0039019024](#) [58102-G61-06LF](#) [582553-1](#) [0009485154](#) [0009508121](#) [0022285053](#) [0050291907](#) [018731A](#) [LY20-4P-DT1-P1E-BR](#) [02.125.8002.8](#) [60101931](#) [60598-1 \(Cut Strip\)](#) [M1625-3R/100](#) [61062-3](#) [61082-181009](#) [CSU011177004](#) [636-1427](#) [638009-1](#) [641938-9](#) [641991-4](#) [644168-1](#) [644827-2](#) [647662-1](#) [65039-019ELF](#) [65692-001LF](#) [65781-018](#) [65781-047](#)