

ELM SERIES PART NUMBERING SCHEME

REV	ECN	APPD
A	3891	JEC 12/22/99
B	5742	DN 12/28/05

ELM

NUMBER OF POSITIONS
(ASSEMBLIES COMPRISED OF TWO
AND/OR THREE POS MODULES)

STYLE
1=HORIZONTAL WIRE ENTRY
3=ANGLED WIRE ENTRY
9=VERTICAL WIRE ENTRY

CENTERLINE SPACING

1 = .197" (5MM)
2 = .200"
3 = .394" (10MM) W/ PLUG INSERT, CONTACT LEADING
4 = .400" W/ PLUG INSERT, CONTACT LEADING
5 = .394" (10MM) W/ PLUG INSERT, PLUG LEADING
6 = .400" W/ PLUG INSERT, PLUG LEADING

OPTIONS
00=BLACK (STANDARD)
0G=GREEN

CONSULT PCD FOR PART NO. AND
AVAILABILITY OF FOLLOWING OPTIONS:
- CUSTOM COLORS
- CUSTOM MARKING
- LOCK-DOWN EARS



RATINGS

CURRENT - 10A
VOLTAGE - 300V, 600V*
U.L. FILE NO. E83421



RATINGS

CURRENT - 10A
VOLTAGE - 300V, 600V*
CSA FILE NO. LR69703

DIN VDE 0627:1986
DIN VDE 0110-1:1989
EN 60947-1:1991
EN 60947-7-1:1992

CURRENT - N/A
VOLTAGE - N/A
TUV FILE NO. N/A

* PENDING
CL SPACING CODE:
3, 4, 5, 6

INSTALLATION
RECOMMENDATIONS:
WIRE RANGE: AWG #12-28
WIRE STRIP LENGTH: .250"
TIGHTENING TORQUE: 7 LB-IN.

MATERIALS:
HOUSING: PBT, UL 94 V-0
CONTACT: BRASS, TIN FINISH
SCREW: COPPER ALLOY, NICKEL FINISH
WIRE CLAMP: COPPER ALLOY, NICKEL FINISH

MAX OPERATING TEMPERATURE:
105°C

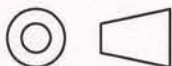
DIMENSIONS

ANSI Y14.5M
UNITS: INCHES
ACAD FILE

TOLERANCES

.XX ±.01
.XXX ±.005
ANGLES ±2°

PROJECTION



Amphenol Pcd

SPECIFICATION DRAWING

ENGR
J. WILKINSON 12/22/99

CHKD
A. PATRIE 12/8/98

APPD
J. CAHALY 12-11-98

TITLE

ELM SERIES
TERMINAL BLOCK
BOARD MOUNT

ORIGINAL
STAMPED
IN RED

*THIS DOCUMENT CONTAINS
PROPRIETARY INFORMATION WHICH
IS THE CONFIDENTIAL PROPERTY
OF AMPHENOL PCD INC. PEABODY, MA*

SIZE DWG NO.

A

ELM021100

REV

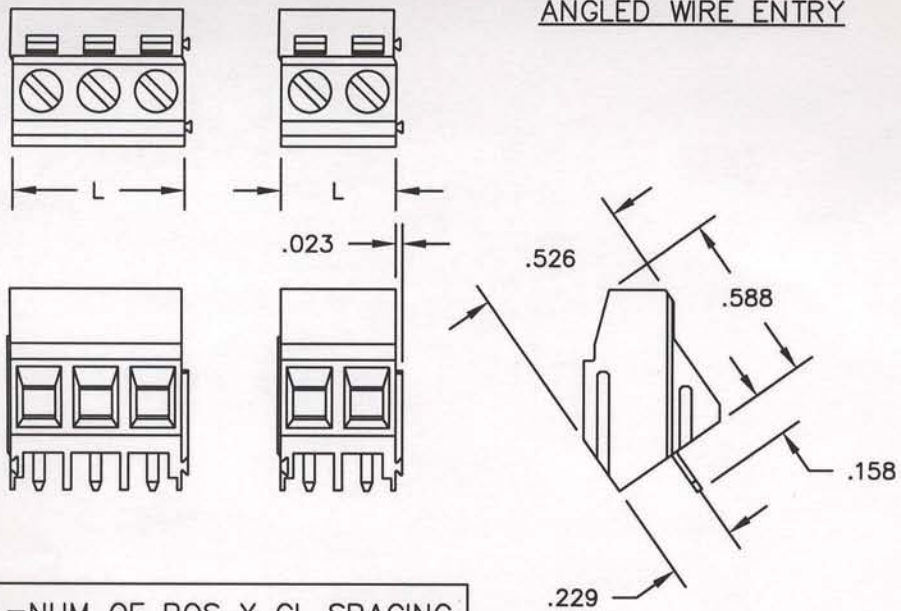
B

CODE: 58982

SCALE: NONE

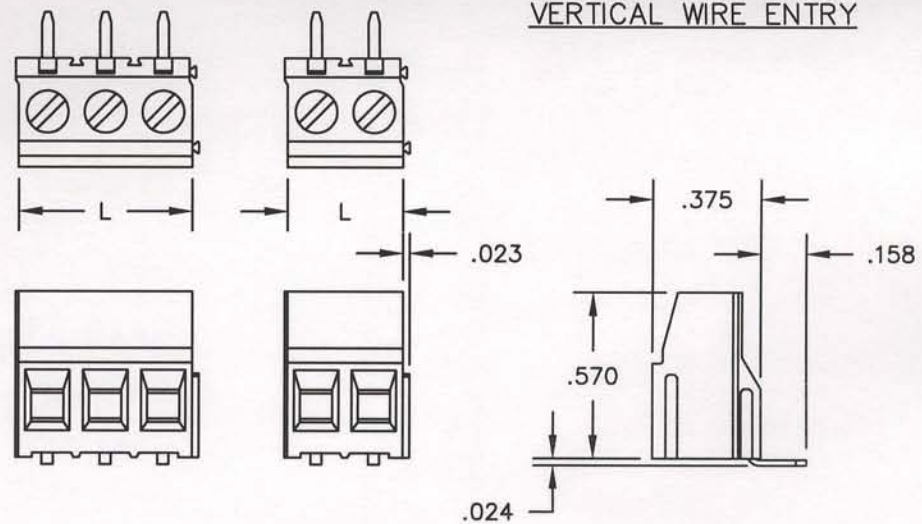
SHEET 1 OF 3

ANGLED WIRE ENTRY



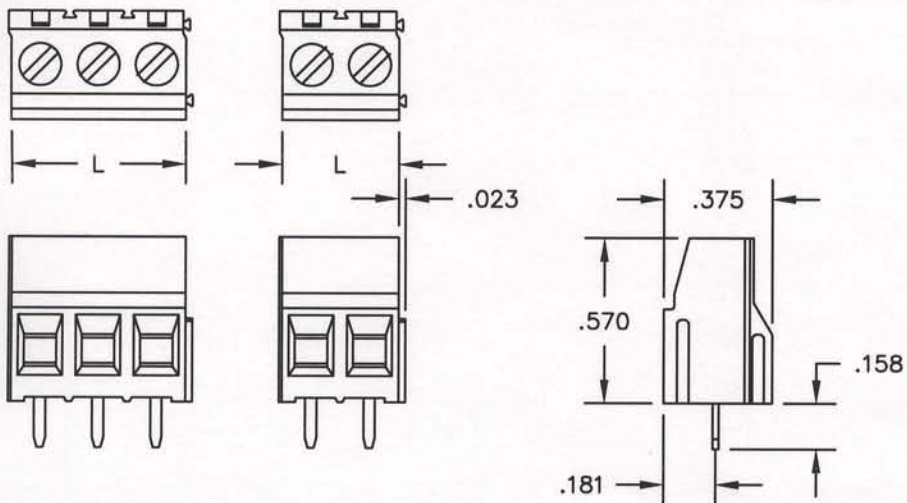
L=NUM OF POS X CL SPACING

VERTICAL WIRE ENTRY



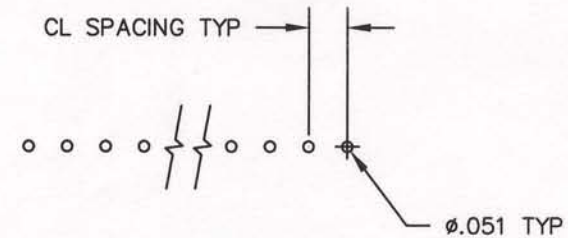
L=NUM OF POS X CL SPACING

HORIZONTAL WIRE ENTRY



L=NUM OF POS X CL SPACING

PRINTED CIRCUIT BOARD CONFIGURATION



RECOMMENDED PCB THICKNESS: .062±.008

SIZE

DWG NO.

REV

A

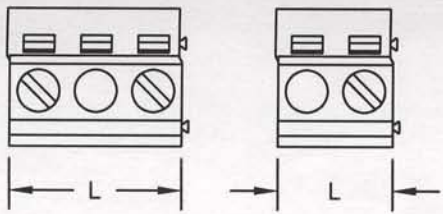
ELM021100

B

CODE: 58982

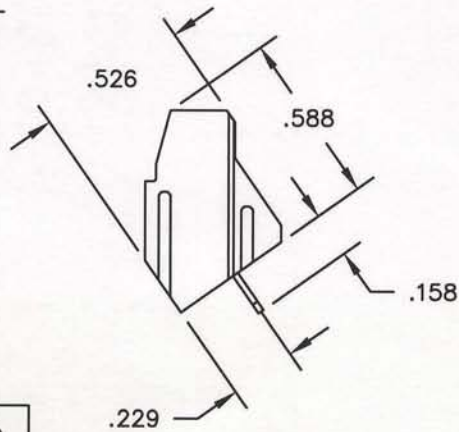
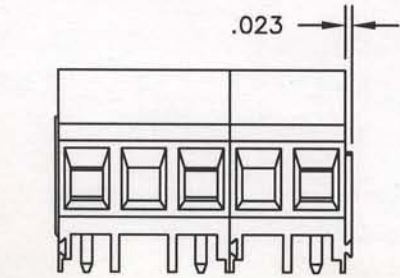
SCALE: NONE

SHEET 2 OF 3

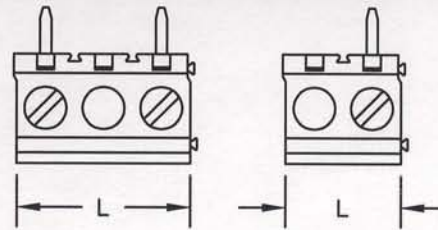


ANGLED WIRE ENTRY

.400" / 10MM CL

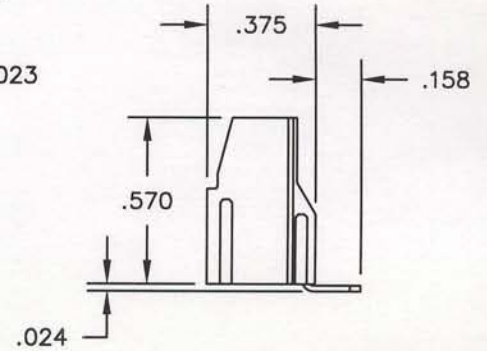
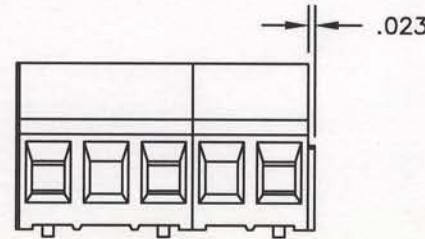


$L = \text{NUM OF POS} \times \text{CL} - \text{CL}/2$

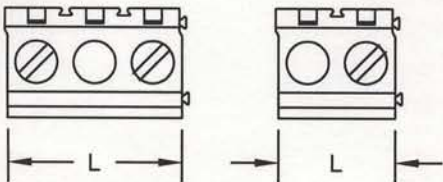


VERTICAL WIRE ENTRY

.400" / 10MM CL

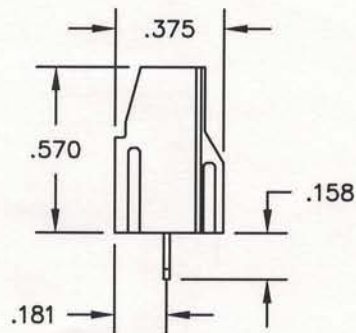
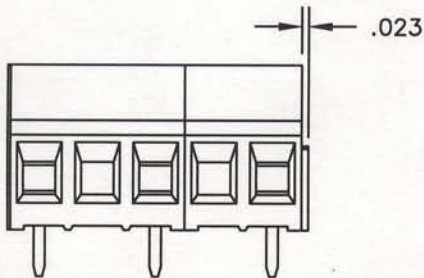


$L = \text{NUM OF POS} \times \text{CL} - \text{CL}/2$



HORIZONTAL WIRE ENTRY

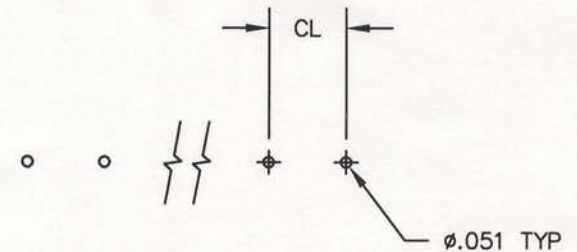
.400" / 10MM CL



$L = \text{NUM OF POS} \times \text{CL} - \text{CL}/2$

PRINTED CIRCUIT BOARD CONFIGURATION

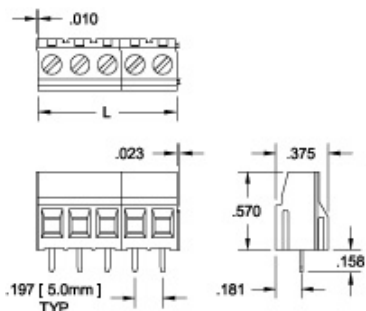
.400" / 10MM CL



RECOMMENDED PCB THICKNESS: .062±.008

SIZE	DWG NO.	REV
A	ELM021100	B
CODE: 58982	SCALE: NONE	SHEET 3 OF 3

5.0mm (.197") ELM Horizontal Assembled -to- Size



Download part [PDF File](#)

Download part [DXF File](#)

Pos	Catalog # Black	Catalog # Green	L (mm)
ELM Modules			
2	ELM021100	ELM02110G10.0	
3	ELM031100	ELM03110G15.0	
ELM Assemblies			
4	ELM041100	ELM04110G20.0	
5	ELM051100	ELM05110G25.0	
6	ELM061100	ELM06110G30.0	
7	ELM071100	ELM07110G35.0	
8	ELM081100	ELM08110G40.0	
9	ELM091100	ELM09110G45.0	
10	ELM101100	ELM10110G50.0	
11	ELM111100	ELM11110G 55.0	
12	ELM121100	ELM12110G60.0	
13	ELM131100	ELM13110G65.0	
14	ELM141100	ELM14110G70.0	
15	ELM151100	ELM15110G75.0	
16	ELM161100	ELM16110G80.0	
17	ELM171100	ELM17110G85.0	
18	ELM181100	ELM18110G90.0	
19	ELM191100	ELM19110G95.0	
20	ELM201100	ELM20110G100.0	

[Variations](#)

[Marking](#)

[Product Line Overview](#)

ELM 5.0mm spacing wire-to-board moving cage clamp terminal blocks are available in vertical, horizontal and angled wire entry variations.

Interlocking Modules

The ELM family consists of precision molded 2- and 3-position screw termination modules with interlocking dovetails. Modules can be joined without loss of pin spacing, giving users the option of purchasing and stocking only the 2- and 3-position modules—and assembling to size in-house—in order to minimize inventory and maintain flexibility; or ordering product already assembled to size.

Options and Variations

ELM terminations are available in black or green.

Contact Amphenol Pcd for information on marking, hold-down mounting ears and other application-specific variations.

SPECIFICATIONS:

Current Rating: 15A

Operating Voltage: 300V

Insulation Resistance: >105 Megohms

Dielectric Withstanding: <3000V

Wire Pullout Force:

Per UL 486E, Section 14

MATERIALS:

Housing: PBT, UL 94V-0, black or green

Contact: Brass, tin-lead finish

Clamp Screw: Copper alloy, nickel finish

Wire clamp: Copper alloy, nickel finish

INSTALLATION:

Wire Range: 12-28 AWG

Wire Strip Length: .250"

Recommended Tightening Torque:

7 lb-in. (0.79N-m)

Hole Diameter: .051 min.

APPROVALS:
TUV    CE

Consult factory for specific product
recognitions .

[Back to Home Page](#)

© Amphenol Pcd

X-ON Electronics

Largest Supplier of Electrical and Electronic Components

Click to view similar products for [Fixed Terminal Blocks](#) category:

Click to view products by [Amphenol](#) manufacturer:

Other Similar products are found below :

[00175550202](#) [MBE-1512](#) [MBE-1520](#) [MBE-154](#) [MBE-156](#) [MBES-1510](#) [MBES-153](#) [MBES-156](#) [MH-2512](#) [MHE-132](#) [MHE-133](#) [MHE-163](#)
[MI-254 \(35\)](#) [MI-272](#) [8739](#) [880507](#) [880508](#) [MPT-275](#) [1546551-6](#) [ELM023100](#) [ELM10110G](#) [ELVD12100](#) [BA311TU](#) [BA411SU](#) [MV-152](#)
[MV-253/NCNOC](#) [MV-254-D](#) [MV-255](#) [MV-462](#) [MV-472](#) [MV-493](#) [MVE-252](#) [MVE-253](#) [MVE-258](#) [MVE-273](#) [MVEB-153](#) [1700096](#)
[1702246](#) [1705142](#) [1712417](#) [1713020](#) [1713088](#) [1776118-2](#) [1790852](#) [1-796689-8](#) [1-796692-6](#) [1800001](#) [1800114](#) [1823215](#) [1838462](#)