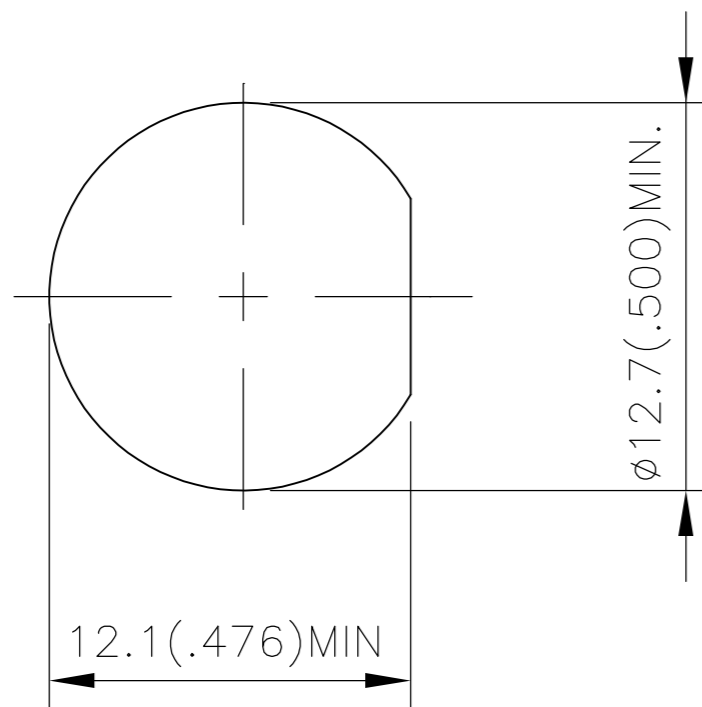
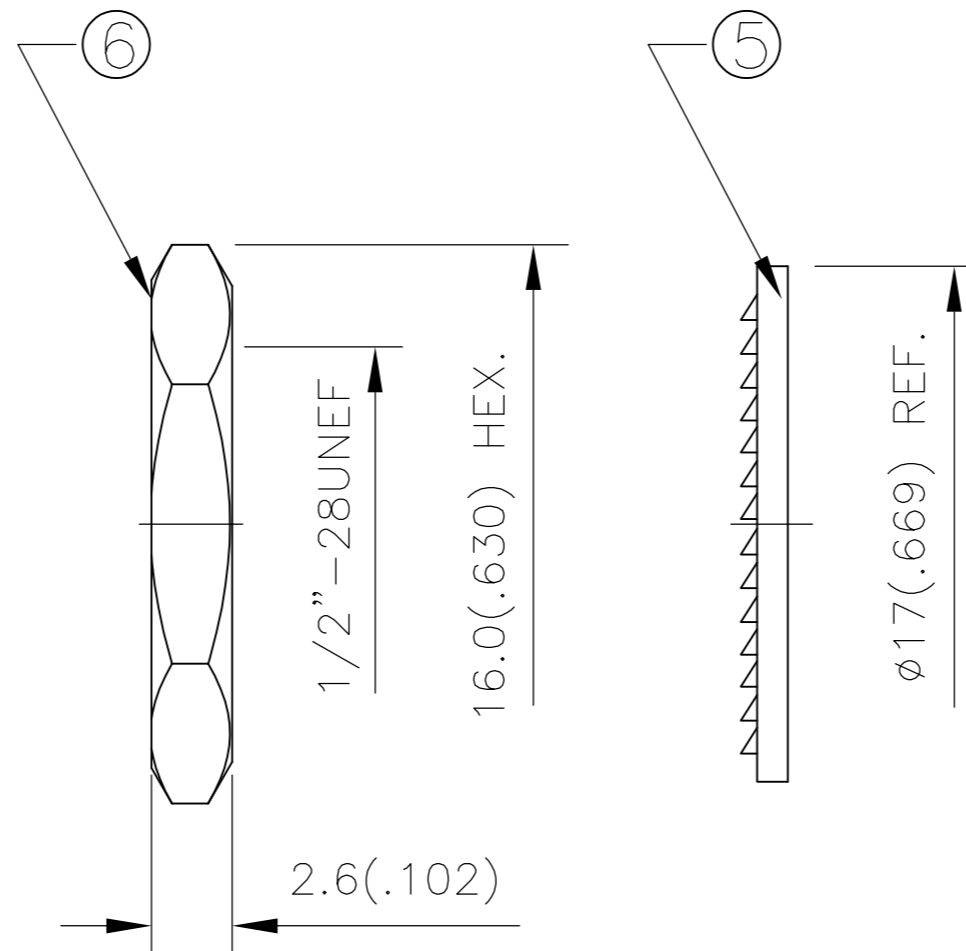
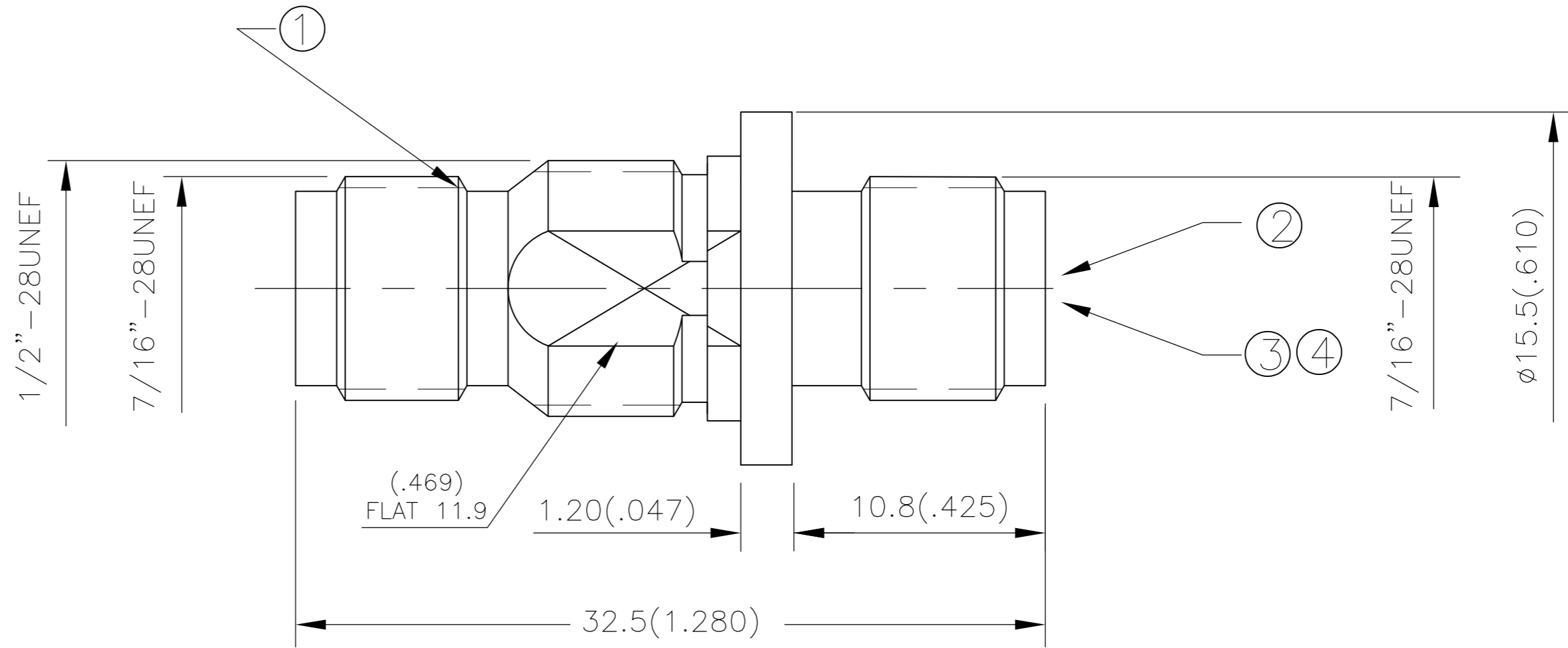


THIS DRAWING IS UNPUBLISHED. RELEASED FOR PUBLICATION
 © COPYRIGHT - By - ALL RIGHTS RESERVED.

LOC	DIST	REVISIONS					
AJ	17	P	LTR	DESCRIPTION	DATE	DWN	APVD
		A1		ECO-12-003826	27FEB2012	TITAN	MARTIN

Note:

- ① SINGLE PACK
- ② GOLD PLATE
- ③ NICKEL PLATE
- 4 ELECTRICAL:
 FREQUENCY RANGE:DC-4 GHz
 NOMINAL IMPEDANCE: 50 OHMS
 WORKING VOLTAGE: 500 VOLTS MAX.
 PROOF VOLTAGE: 1500 VOLTS
 INSULATION RESISTANCE: 5000 MΩ
 CONTACT RESISTANCE:
 CENTER CONTACT:1.5 MILLIOHMS
 OUT CONTACT:1 MILLIOHMS
 VSWR:1.35 MAX
- 5 MECHANICAL:
 DURABILIT:500 MATINGS
- 6 ENVIRONMENTAL:
 OPERATING TEMPERATURE RANGE: -40°C TO +60°C



SUGGESTED PANEL CUTOUT

QTY	QTY PER ASSY	MATERIAL	DESCRIPTION	ITEM
1	1	BRASS	NUT	6
1	1	STEEL	WANSHER	5
1	1	BRASS	WANSHER	4
2	2	POM	DIELECTRIC	3
1	1	PHOSPHOR BRONZE	CENTER CONTACT	2
1	1	BRASS	SHELL	1
1--0		MATERIAL	DESCRIPTION	ITEM

THIS DRAWING IS A CONTROLLED DOCUMENT.		DWN	Titan Dai	17-JAN-12		TE Connectivity		
DIMENSIONS: mm [INCHES]		CHK	Gary Gao	17-JAN-12		NAME		
TOLERANCES UNLESS OTHERWISE SPECIFIED:		APVD	Martin Ye	17-JAN-12		JACK TO JACK, ADAPTER, BULKHEAD, TNC,50Ω		
0 PLC ± -		PRODUCT SPEC				SIZE	CAGE CODE	DRAWING NO
1 PLC ± 0.2		APPLICATION SPEC			A2	00779	C=619520	
2 PLC ± 0.1					WEIGHT		RESTRICTED TO	
3 PLC ± 0.05								
4 PLC ± -					CUSTOMER DRAWING	SCALE	SHEET	
ANGLES ± 5°						4:1	1 of 1	
FINISH							REV	
SEE NOTES							A1	

X-ON Electronics

Largest Supplier of Electrical and Electronic Components

Click to view similar products for [Board to Board & Mezzanine Connectors](#) category:

Click to view products by [TE Connectivity](#) manufacturer:

Other Similar products are found below :

[10135583-642402LF](#) [89885-310LF](#) [589158040000018](#) [6-1393048-0](#) [68683-613](#) [MDF7-12DP-2.54DSA](#) [MDF7-18P-2.54DSA\(01\)](#) [MDF7-20DP-2.54DSA](#) [MDF7-26D-2.54DSA\(55\)](#) [MDF7-3P-2.54DSA\(01\)](#) [MDF7B-3P-2.54DSA\(55\)](#) [MDF7C-11P-2.54DSA\(55\)](#) [MDF7C-18P-2.54DSA\(55\)](#) [MDF7C-5P-2.54DSA\(01\)](#) [MDF7P-5P-2.54DSA\(55\)](#) [75234-0516](#) [FCN-230C068-11](#) [FCN-268F012-G/BD](#) [FCN-268F036-G/BD](#) [FCN-268M012-G/0D](#) [FCN-268M024-G/1D](#) [FCN-360C008-C](#) [FCN-360C040-C](#) [FCN-723J004/1](#) [MIS-048-01-F-D-DP-K](#) [832-10-034-10-001000](#) [93696-325LF](#) [11828-1FA](#) [AXK630345P](#) [18097-0013](#) [ICA-328STT](#) [2007042-2](#) [304400-2](#) [FCN-214Q030-G/0](#) [FCN-215Q040-G/0](#) [FCN-230C068-ESA](#) [FCN-234P048-G/0](#) [FCN-235D050-G/C](#) [FCN-360A3](#) [FCN-360C040-B](#) [210-93-314-41-105000](#) [2-22603-0](#) [379-064-521-202](#) [MDF7-12P-2.54DSA\(01\)](#) [MDF7-16P-2.54DS\(56\)](#) [MDF7-40DP-2.54DSA\(55\)](#) [MDF7-8P-2.54DSA\(55\)](#) [MDF7B-16P-2.54DSA\(55\)](#) [AXG720047](#) [5031084030](#)