

EL-USB-1-PRO

Extended Temperature Range Data Logger

The EL-USB-1-PRO data logger measures and stores up to 32,510 temperature readings over the -40 to +125°C (-40 to +257°F) measurement ranges. The logger is housed in a stainless steel case, to protect the logger from corrosion, impact and moisture. A long life lithium battery is included, which allows logging for up to 3 years.

The user can easily set up the logger and view downloaded data by plugging the device into a PC's USB port and using the supplied software. Data can then be graphed, printed and exported to other applications.

FEATURES

- -40 to +125°C (-40 to +257°F) measurement range.
- Stainless Steel (316).
- Environmental protection to IP67.
- USB interface for set-up and data download.
- User-programmable alarm thresholds.
- Immediate and delayed logging.
- Supplied complete with high capacity lithium battery and Windows compatible software.



WINDOWS CONTROL SOFTWARE

Easy to install and use, the control software runs under Windows 2000, XP (Home and Professional Editions, 32-bit) and Vista (32-bit). It allows the user to set up and download data from any EL-USB product. The latest version of the control software may be downloaded from www.lascarelectronics.com.

DATA LOGGER SETUP VARIABLES

- Logger name.
- °C, °F.
- Logging rate (1s, 10s, 1m, 5m, 30m, 1hr, 6hr, 12hr).
- High and low alarms.
- Immediate and delayed logging.
- Data rollover (Allows unlimited logging periods by overwriting the oldest data when the memory is full).

ORDERING INFORMATION

Standard Data Logger (Data Logger, battery pack and Software on CD)	Stock Number EL-USB-1-PRO
Replacement Battery Pack	BAT 3V6 2/3AA H TEMP

SPECIFICATIONS

Specification	Min.	Typ.	Max.	Unit
Measurement range	-40 (-40)		+125 (+257)	°C (°F)
Accuracy (overall error)		±0.2 (±0.4) †	±0.5 (±1)	°C (°F)
Internal resolution		0.1 (0.2)		°C (°F)
Logging rate	every 1s		every 12hr	-
Operating temperature range	-40 (-40)		+125 (+257)	°C (°F)
2/3AA 3.6V Lithium Battery Life		1*		Year

* 10 second logging rate @ -20°C

LASCAR ELECTRONICS LTD.
MODULE HOUSE
WHITEPARISH
WILTSHIRE SP5 2SJ
UK
TEL: +44 (1794) 884567
FAX: +44 (1794) 884616
E-mail: sales@lascar.co.uk

LASCAR ELECTRONICS INC.
4258 West 12th Street
Erie
PA 16505
USA
TEL: +1 (814) 835 0621
FAX: +1 (814) 838 8141
E-mail: us-sales@lascarelectronics.com

LASCAR ELECTRONICS (HK) LIMITED
Unit Nos. 6-8 , 19/F., Futura Plaza
111-113 How Ming Street
Kwun Tong, Kowloon
Hong Kong
TEL: +852 2389 6502
FAX: +852 2389 6535
E-mail: saleshk@lascar.com.hk

Specifications liable to change without prior warning

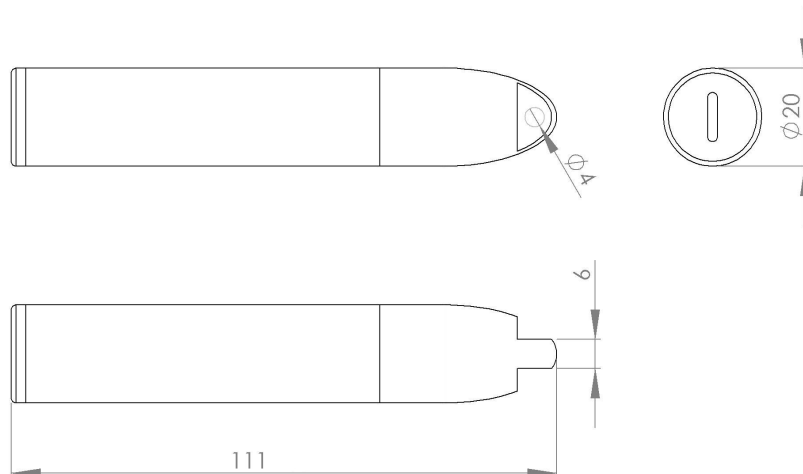
EL-USB-1-PRO Issue Beta 3 09/2008 N.J-H Applies to EL-USB-1-PRO



www.lascarelectronics.com

Page 1 of 2

DIMENSIONS All Dimensions in mm



BATTERY REPLACEMENT

We recommend that you replace the battery every 18 months, or prior to logging critical data.

The EL-USB-1-PRO does not lose its stored readings when the battery is discharged or when the battery is replaced; the data logging process will however be stopped and cannot be re-started until the battery has been replaced and the logged data has been downloaded to PC.

Only use an EL-USB-1-PRO battery back supplied by Lascar, which is rated for use in high temperatures and has the correct battery terminals. Using non-Lascar batteries may result in fire or explosion at high temperatures.

Note: Leaving the EL-USB-1-PRO plugged into the USB port for longer than necessary will cause some of the battery capacity to be lost.

X-ON Electronics

Largest Supplier of Electrical and Electronic Components

Click to view similar products for [Environmental Test Equipment](#) category:

Click to view products by [Lascar](#) manufacturer:

Other Similar products are found below :

[CW40](#) [F150C10E3DRT](#) [F150LTC20](#) [F150CD10E2](#) [F150L75](#) [F150LRS](#) [S-11](#) [FLUKE-LDG](#) [382153](#) [FM100](#) [RH210](#) [382253](#) [MO290-P](#)
[GEO-CABLE-REEL-50M](#) [T197914](#) [RD300-L](#) [IR11BD](#) [IR11GM](#) [IR12GM](#) [IR21BD](#) [IR31CE](#) [IR32BC](#) [IR33BC](#) [MP7217TC](#) [NGM-1](#) [SGX-](#)
[7NH3](#) [UT381](#) [F150-SLC50](#) [AW-CO-1000](#) [AW-NmHc-100](#) [3.000.401](#) [AX-7535](#) [CS-9S6SS-A](#) [P 2800 A](#) [P 2801](#) [P 2802](#) [P 5039](#) [P 5130](#) [P](#)
[5055](#) [P 5060](#) [P 5065](#) [P 5086](#) [P 5090](#) [P 5110](#) [P 5115](#) [P 5135](#) [P 5140](#) [P 5145](#) [P 5150](#) [P 5160](#)