


## Product information

### ELWIKA 5012 PG7

Industrial Connecting Solutions: Circular Connectors: M8 - M12 Connectors: M12 Connectors: M12 Circular connector (M12 E-Series): with screw locking: Angled cable socket, self-assembled: ELWIKA 5012

PG7

<https://e-catalog.hirschmann.com:443/link/57078-24228-256281-256292-256304-24445-24446-24262-36390/en/conf/ui/state>

<b>Name</b>	ELWIKA 5012 PG7
	
	Angled cable socket, unassembled, strain relief by means of clamping cage
<b>Delivery informations</b>	
<b>Availability</b>	available
<b>Product description</b>	
<b>Description</b>	Angled cable socket, unassembled, strain relief by means of clamping cage
<b>Type</b>	ELWIKA 5012 PG7
<b>Order No.</b>	933 175-100
<b>Type of contact</b>	female
<b>Number of contacts</b>	5
<b>Cable gland</b>	PG 7
<b>Standard</b>	IEC 61076-2-101 (Ed. 1)/ IEC 60947-5-2
<b>Housing Color</b>	black
<b>Technical data</b>	
<b>Rated voltage</b>	AC/DC 50 V
<b>Rated current</b>	4 A
<b>Type of termination</b>	screw
<b>Suitable cables</b>	diameter 4 mm to 6 mm, max. 0.75 mm <sup>2</sup>
<b>Material</b>	
<b>Contact material</b>	Cu Zn
<b>Contact surface material</b>	Sn
<b>Contact bearer material</b>	PA
<b>Housing material</b>	PA
<b>Coupling nut material</b>	Zn Al/Ni
<b>O-Ring</b>	NBR
<b>Environmental conditions</b>	
<b>Protection class (IEC 60529)</b>	IP 67
<b>Pollution severity</b>	3
<b>Temperature range</b>	-25 °C to +90 °C
<b>Inflammability class</b>	
<b>Housing</b>	94 V-2
<b>Contact bearer</b>	94 V-2
<b>Packing unit</b>	
<b>Packaging unit</b>	100 pieces
<b>Scope of delivery and accessories</b>	
<b>Accessories to order separately</b>	protective cap M12 VS, order no. 734 209-100



# HIRSCHMANN

A BELDEN BRAND

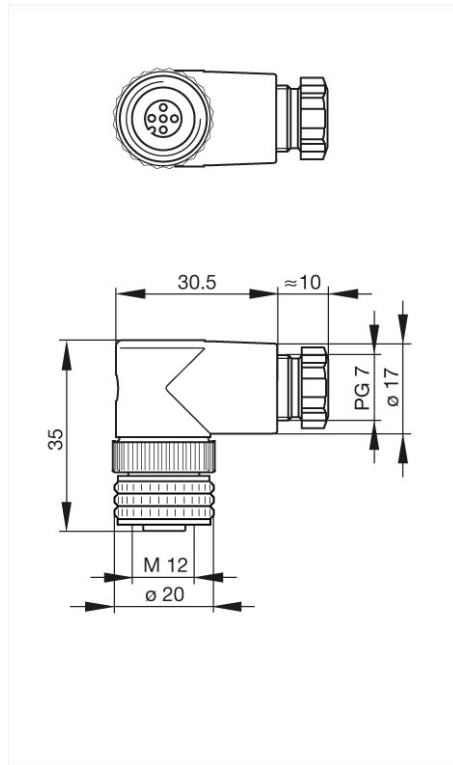
Industrial Connecting Solutions: Circular Connectors: M8 - M12 Connectors: M12 Connectors: M12 Circular connector (M12 E-Series)-with screw locking: Angled cable socket, self-assembled: ELWIKA 5012

PG7

<https://e-catalog.hirschmann.com:443/link/57078-24228-256281-256292-256304-24445-24446-24262-36390/en/conf/ui/state>

Picture

Drawing



#### Belden Deutschland GmbH

Im Gewerbepark 2  
58579 Schalksmühle  
Germany  
Phone: +49 7127/14-1806  
E-Mail: [icos-sales@belden.com](mailto:icos-sales@belden.com)

The information published in the websites has been compiled as carefully as possible. It is subject to alteration without notice in technical as well as in price-related/commercial respect. The complete information and data were available on user documentation. Mandatory information can only be obtained by a concrete query.

## X-ON Electronics

Largest Supplier of Electrical and Electronic Components

*Click to view similar products for [Circular MIL Spec Connector](#) category:*

*Click to view products by [Belden](#) manufacturer:*

Other Similar products are found below :

[89075GULPR](#) [0025-262-542](#) [0025-264-3014](#) [58-570121-04S](#) [0134-213-1208](#) [0134-213-2209](#) [0025-258-000](#) [60-042022-07P](#) [60-042022-19P](#)  
[60-042022-23P](#) [60-042217-10P](#) [60-042217-11P](#) [0114-201-1278](#) [012-0467-000](#) [602GB06EG24-61SN](#) [0134-201-1207](#) [0134-213-1006](#) [6104-](#)  
[207-2302](#) [6104-208-1902](#) [61-168211-04P](#) [61-168617-10P](#) [6131-202-19149P](#) [6131-204-21149P](#) [6131-208-13149P](#) [6131-209-17149P](#) [6131-](#)  
[210-11149P](#) [6131-211-19149P](#) [6131-216-19149P](#) [6131-259-21149P](#) [6131-259-23149P](#) [6131-265-17149P](#) [6131-265-19149P](#) [CS3100A18-1P-](#)  
[472](#) [CS3100A-36-77P](#) [CS3101A-16-55P](#) [CS3102A-10SL-55P](#) [CS3102A-14S-58P](#) [CS3102A-18-1P116](#) [CS3102A-32-17P](#) [CS3102A32-25S](#)  
[CS3102C18-4P-472](#) [CS3106A10SL3S004](#) [CS3106A-18-73S](#) [CS3108A-14S-52S](#) [CS3108A-28-51S](#) [6162-233-1277](#) [6162-324-1231](#)  
[M243082296Z](#) [M2884010AC1S1](#) [CT0-24-10SC](#)