

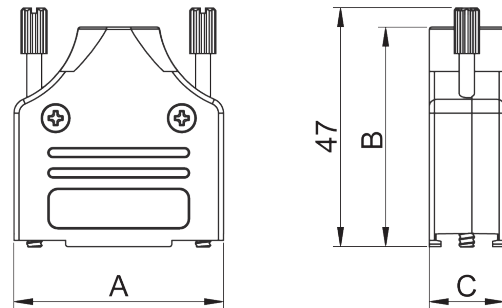
TECHNICAL SPECIFICATIONS

D-Sub Hood:

| | |
|------------------------|---------------------|
| Material: | Zinc, Nickel Plated |
| Operating Temperature: | -40°C to +120°C |
| Cable Entry: | Top Entry |
| Thumbscrews: | UNC 4-40 (Standard) |
| Cable O.D.: | Up to 13mm |

Male D-Sub Solder Cup:

| | |
|------------------------|----------------------------|
| Insulator: | PBT, Black, UL94 V-0 |
| Shell: | Steel, Tin Plated |
| Contact pins: | Copper Alloy |
| Stamped & Formed Pins | Class 3, 100 inserts min. |
| Machined Contact Pins: | Class 1, 500 inserts min. |
| Contact Plating: | Selective Gold over Nickel |
| Operating Temperature: | -55°C to +105°C |
| Withstanding voltage: | 1000V for 1 minute |
| Insulator resistance: | 1000MΩ min |
| Insulator resistance: | 1000MΩ min |



D-Sub-Hood

Features:

- Available in sizes 9-15-25-37
- 360° EMI Shielding
- Quick assembly
- Supports all types of cables
- Suitable for any common D-Sub connector

| Size MHDM | Dim A | Dim B | Dim C |
|-----------|-------|-------|-------|
| 9-way | 32,2 | 41,3 | 15,4 |
| 15-way | 40,6 | 43,3 | 15,4 |
| 25-way | 54,5 | 49,5 | 15,4 |
| 37-way | 70,7 | 54,3 | 15,4 |

Ordering information:**Class 3 D-Sub Connector Kits (100 inserts min.)**

| Size: | P/N - Kitted: | Product Code - MALE Conn. Kit |
|--------|---------------|-------------------------------|
| 9-way | 6355-0005-01 | MHDM-09-DBP-K |
| 15-way | 6355-0005-02 | MHDM-15-DBP-K |
| 25-way | 6355-0005-03 | MHDM-25-DBP-K |
| 37-way | 6355-0005-04 | MHDM-37-DBP-K |

Ordering information:**Class 1 D-Sub Connector Kits (500 inserts min.)**

| Size: | P/N - Kitted: | Product Code - MALE Conn. Kit |
|--------|---------------|-------------------------------|
| 9-way | 6355-0006-01 | MHDM-09-DMP-K |
| 15-way | 6355-0006-02 | MHDM-15-DMP-K |
| 25-way | 6355-0006-03 | MHDM-25-DMP-K |
| 37-way | 6355-0006-04 | MHDM-37-DMP-K |

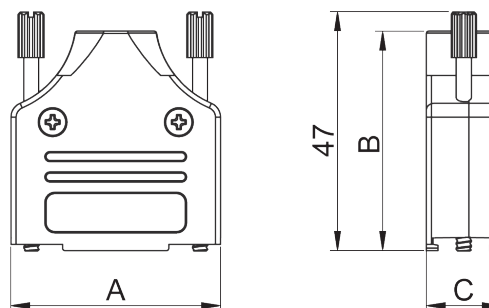
TECHNICAL SPECIFICATIONS

D-Sub Hood:

| | |
|------------------------|---------------------|
| Material: | Zinc, Nickel Plated |
| Operating Temperature: | -40°C to +120°C |
| Cable Entry: | Top Entry |
| Thumbscrews: | UNC 4-40 (Standard) |
| Cable O.D.: | Up to 13mm |

Female D-Sub Solder Cup:

| | |
|------------------------|----------------------------|
| Insulator: | PBT, Black, UL94 V-0 |
| Shell: | Steel, Tin Plated |
| Contact pins: | Copper Alloy |
| Stamped & Formed Pins | Class 3, 100 inserts min. |
| Machined Contact Pins: | Class 1, 500 inserts min. |
| Contact Plating: | Selective Gold over Nickel |
| Operating Temperature: | -55°C to +105°C |
| Withstanding voltage: | 1000V for 1 minute |
| Insulator resistance: | 1000MΩ min |
| Insulator resistance: | 1000MΩ min |



D-Sub-Hood

Features:

- Available in sizes 9-15-25-37
- 360° EMI Shielding
- Quick assembly
- Supports all types of cables
- Suitable for any common D-Sub connector

| Size MHDM | Dim A | Dim B | Dim C |
|-----------|-------|-------|-------|
| 9-way | 32,2 | 41,3 | 15,4 |
| 15-way | 40,6 | 43,3 | 15,4 |
| 25-way | 54,5 | 49,5 | 15,4 |
| 37-way | 70,7 | 54,3 | 15,4 |

Ordering information:**Class 3 D-Sub Connector Kits (100 inserts min.)**

| Size: | P/N - Kitted: | Product Code - FEMALE Conn. Kit |
|--------|---------------|---------------------------------|
| 9-way | 6355-0005-11 | MHDM-09-DBS-K |
| 15-way | 6355-0005-12 | MHDM-15-DBS-K |
| 25-way | 6355-0005-13 | MHDM-25-DBS-K |
| 37-way | 6355-0005-14 | MHDM-37-DBS-K |

Ordering information:**Class 1 D-Sub Connector Kits (500 inserts min.)**

| Size: | P/N - Kitted: | Product Code - FEMALE Conn. Kit |
|--------|---------------|---------------------------------|
| 9-way | 6355-0006-11 | MHDM-09-DMS-K |
| 15-way | 6355-0006-12 | MHDM-15-DMS-K |
| 25-way | 6355-0006-13 | MHDM-25-DMS-K |
| 37-way | 6355-0006-14 | MHDM-37-DMS-K |

X-ON Electronics

Largest Supplier of Electrical and Electronic Components

Click to view similar products for [D-Sub Standard Connectors](#) category:

Click to view products by [Encitech](#) manufacturer:

Other Similar products are found below :

[DCM37S732N](#) [DAM15P500](#) [DEV09S364GTLF](#) [DEM09P032N](#) [DDM50P732N](#) [DAM15S332N](#) [173109-2218](#) [173109-2466](#) [173109-2436](#)
[173109-2435](#) [56F706-005-LI](#) [56F711-015](#) [015-0341-000](#) [015-0372-008](#) [015-8544-011](#) [017041-0005](#) [020419-0104](#) [012-0515-000](#) [012-9507-](#)
[034](#) [012-9507-114](#) [012-9534-001](#) [020745-0008](#) [609-25P](#) [M24308/2-23Z](#) [M243082310F](#) [M243082410F](#) [M243082411F](#) [M24308/4-21](#)
[CT1A18-11PSA206](#) [CT1N36-5SC](#) [CT2-16S-17PS](#) [CT2-20-15PCAU](#) [CT2-24-12PS](#) [CT2-24-28PSF127A206](#) [CT2-32-9PC](#) [CT6F9767-14-4-](#)
[14S-5PC](#) [CT6FA10SL-4PS](#) [CT7-18-10SC](#) [CT7-18-10SCAU](#) [CT7-18-12SCAU](#) [CT7-18-1PC](#) [CT7-18-1PCAU](#) [CT7-18-21SCAU](#) [M83513/01-](#)
[FC](#) [M83723/76W24619 L/C](#) [M85049/48-3-2F](#) [69001-865](#) [6STD09PCM99B70X](#) [6STD09SCM99B30X](#) [6STD09SCT99S40X](#)