

EM3533 Series Euro-Mag Terminal Blocks

Pluggable Block (Mates with EM2221 Series);
3.50 Centers

SPECIFICATIONS

Rating: 8A, 300V

Center Spacing: .138" (3.50 mm)

Wire Range: #16-26 AWG

Housing Material: UL rated 94V0 Thermoplastic

Contact Material: Brass Tin Plated

Cage Clamp: Brass, Nickel Plated

Screw Size: M2.0 Nickel Plated Steel

Operating Temperature: 105°C (221°F) max., -40°C (-40°F) min.

Torque Rating: 2.5 in-lb.

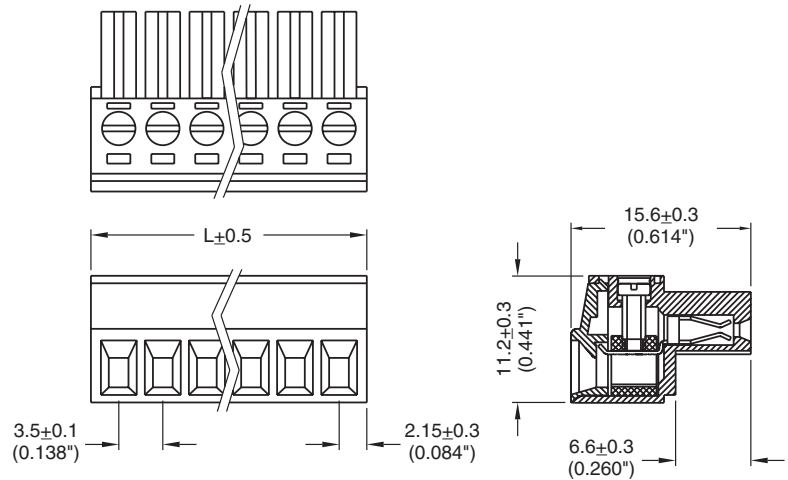
Construction: Mold to Length

Agency Information: UL/CSA; CE Certified

EM353308

TABLE A

| Poles | L (mm) |
|-------|--------|
| 2 | 7.80 |
| 3 | 11.30 |
| 4 | 14.80 |
| 5 | 18.30 |
| 6 | 21.80 |
| 7 | 25.30 |
| 8 | 28.80 |
| 9 | 32.30 |
| 10 | 35.80 |
| 11 | 33.30 |
| 12 | 42.80 |
| 13 | 46.30 |
| 14 | 49.80 |



To convert to inches, divide by 25.4

Part Numbering System

Series

of Poles

EM3533

□ □

02 to 14

EM2221 Series Euro-Mag Terminal Blocks

Closed Header; (Mates with EM3553 Series);
3.50 Centers

SPECIFICATIONS

Rating: 8A, 300V

Center Spacing: .138" (3.50 mm)

Housing Material: UL rated 94V0 Thermoplastic

Contact Material: Brass Tin Plated

Operating Temperature: 105°C (221°F) max., -40°C (-40°F) min.

Recommended PCB Hole Diameters: .055" (1.40)

Construction: Mold to Length

Agency Information: UL/CSA; CE Certified

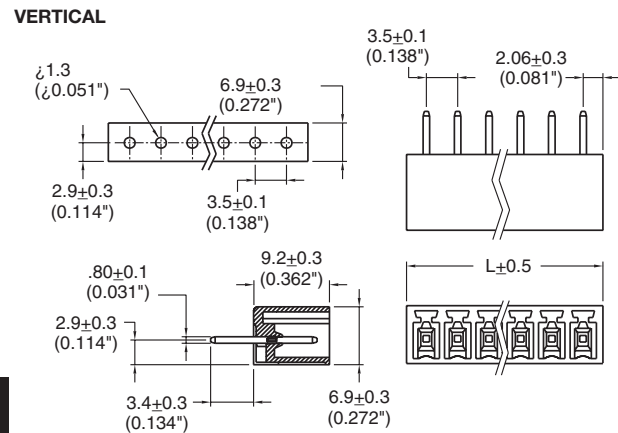
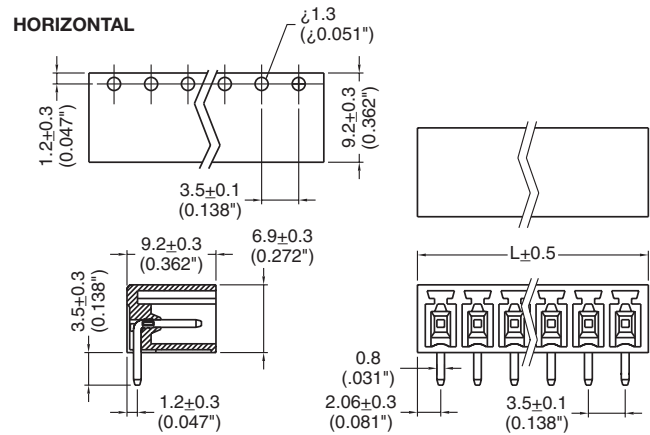
TABLE A

| Poles | L (mm) |
|-------|--------|
| 2 | 7.60 |
| 3 | 11.10 |
| 4 | 14.60 |
| 5 | 18.10 |
| 6 | 21.60 |
| 7 | 25.10 |
| 8 | 28.60 |
| 9 | 32.10 |
| 10 | 35.60 |
| 11 | 39.10 |
| 12 | 42.60 |
| 13 | 42.10 |
| 14 | 49.60 |

To convert to inches, divide by 25.4

EM222112H

EM222108V



Part Numbering System

Series

EM2221

of Poles

□ □

02 to 14

Orientation

□

H - horizontal
V - vertical

EM2413 Series Euro-Mag Terminal Blocks

Pluggable Block with Flanges (Mates with EM2201 Series); 3.50 Centers

SPECIFICATIONS

Rating: 8A, 300V

Center Spacing: .138" (3.50 mm)

Wire Range: #16-26 AWG

Housing Material: UL rated 94V0 Thermoplastic

Contact Material: Brass Tin Plated

Cage Clamp: Brass, Nickel Plated

Screw Size: M2.0 Nickel Plated Steel

Operating Temperature: 105°C (221°F) max., -40°C (-40°F) min.

Torque Rating: 2.5 in-lb.

Construction: Mold to Length

Agency Information: UL/CSA; CE Certified



EM241307

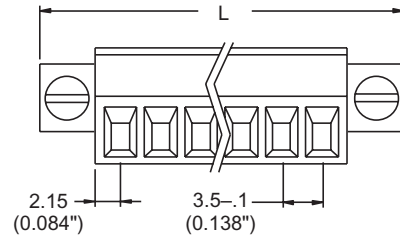
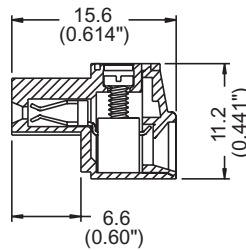
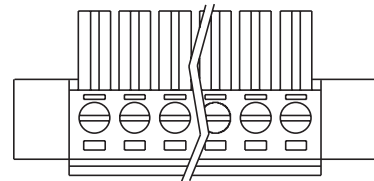


TABLE A

| Poles | L (mm) |
|-------|--------|
| 2 | 17.40 |
| 3 | 20.90 |
| 4 | 24.40 |
| 5 | 27.90 |
| 6 | 31.40 |
| 7 | 34.90 |
| 8 | 38.40 |
| 9 | 41.90 |
| 10 | 45.40 |
| 11 | 48.90 |
| 12 | 52.40 |

To convert to inches, divide by 25.4

Part Numbering System

Series

of Poles

EM2413

□ □

02 to 12

EM2201 Series Euro-Mag Terminal Blocks

Header with Flanges (Mates with EM2413 Series); 3.50 Centers

SPECIFICATIONS

Rating: 8A, 300V

Center Spacing: .138" (3.50)

Housing Material: Green Polyamide Type 6/6, 94V0

Contact Material: Brass Tin Plated

Operating Temperature: 105°C (221°F) max., -40°C (-40°F) min.

Recommended PCB Hole Diameters: .055" (1.40)

Construction: Mold to Length

Agency Information: UL/CSA; CE Certified

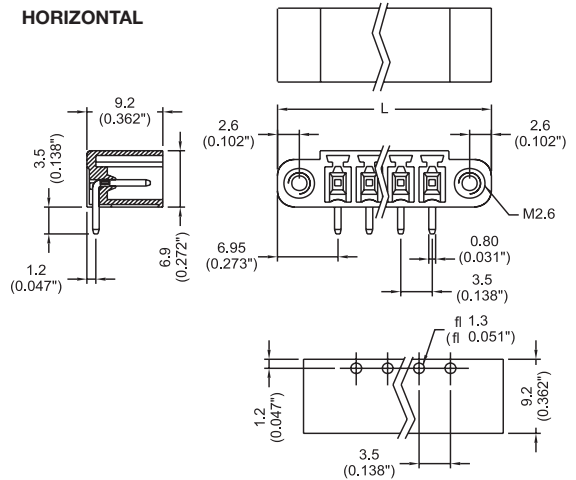
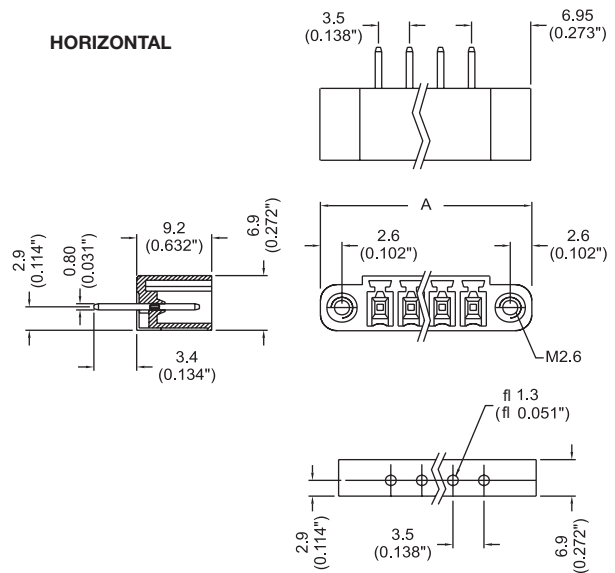
TABLE A

| Poles | L (mm) |
|-------|--------|
| 2 | 17.40 |
| 3 | 20.90 |
| 4 | 24.40 |
| 5 | 27.90 |
| 6 | 31.40 |
| 7 | 34.90 |
| 8 | 38.40 |
| 9 | 41.30 |
| 10 | 45.40 |
| 11 | 48.90 |
| 12 | 52.40 |

To convert to inches, divide by 25.4

EM220110H

EM220109V



Part Numbering System

Series

EM2201

of Poles

□ □

02 to 12

Orientation

□

H - horizontal
V - vertical

EM3553 Series Euro-Mag Terminal Blocks

(Mates with EM3593 Series);
3.81 Centers

SPECIFICATIONS

Rating: 8A, 300V

Center Spacing: .150" (3.81 mm)

Consult factory for .300" (7.62 mm)

Wire Range: #18-20 AWG

Housing Material: UL rated 94V0 Thermoplastic

Contact Material: Brass Tin Plated

Screw Size: M2x3 Zinc Plated Steel

Operating Temperature: 105°C (221°F) max., -40°C (-40°F) min.

Torque Rating: 3.0 in-lbs.

Construction: Mold to Length

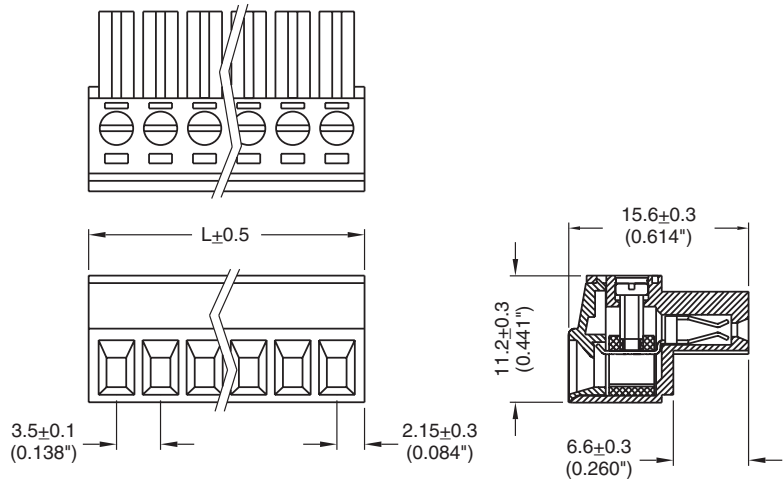
Agency Information: UL/CSA; CE Certified

EM355308

TABLE A

| Position | L (mm) |
|----------|--------|
| 02 | 7.90 |
| 03 | 11.71 |
| 04 | 15.52 |
| 05 | 19.33 |
| 06 | 23.14 |
| 07 | 26.95 |
| 08 | 30.76 |
| 09 | 34.57 |
| 10 | 38.38 |
| 11 | 42.19 |
| 12 | 46.00 |

To convert to inches, divide by 25.4



Part Numbering System

Series

of Positions

EM3553

□□

02 to 12

Mating Header: EM3593 pg. 93

EM3543 Series Euro-Mag Terminal Blocks

Pluggable Block (Mates with EM3593 Series);
3.81 Centers

SPECIFICATIONS

Rating: 8A, 300V

Center Spacing: .150" (3.81 mm)

Consult factory for .300" (7.62 mm)

Wire Range: #16-24 AWG

Housing Material: UL rated 94V0 Thermoplastic

Contact Material: Brass Tin Plated

Cage Clamp: Brass, Nickel Plated

Screw Size: M2.0 Zinc Plated Steel

Operating Temperature: 105°C (221°F) max., -40°C
(-40°F) min.

Torque Rating: 2.5 in-lb.

Construction: Mold to Length

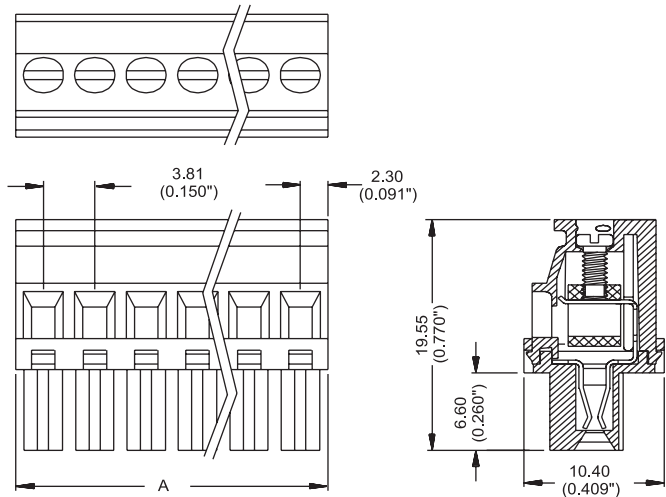
Agency Information: UL/CSA; CE Certified

EM354309

TABLE A

| Poles | L (mm) |
|-------|--------|
| 2 | 8.41 |
| 3 | 12.22 |
| 4 | 16.03 |
| 5 | 19.84 |
| 6 | 23.65 |
| 7 | 27.46 |
| 8 | 31.27 |
| 9 | 35.08 |
| 10 | 38.89 |
| 11 | 42.70 |
| 12 | 46.51 |

To convert to inches, divide by 25.4



Part Numbering System

Series

EM3543

of Poles

□ □

02 to 12

Mating Header: EM3593 pg. 93

Series EM3583 Euro-Mag Terminal Blocks

IDC Pluggable Block
(Mates with EM3593 Series); 3.81 Centers

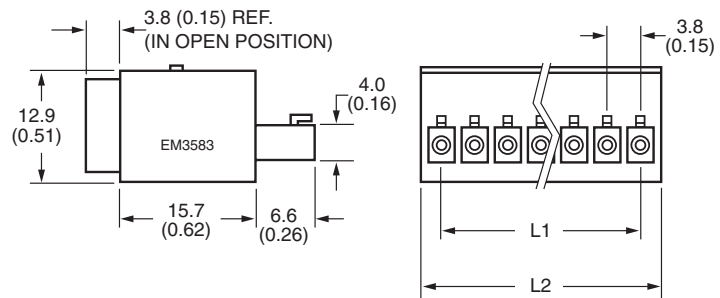
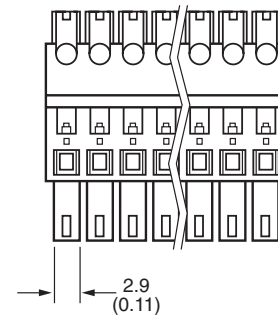
SPECIFICATIONS

- Ratings:** 6A, 160V
- Center Spacing:** .150" (3.81mm)
- Wire Range:** #22-20 AWG
- Housing Material:** UL rated 94V0 Thermoplastic
- Contact Material:** Brass, Tin Plated
- Operating Temperature:** 105°C (221°F) max., -49°C (-40°F) min.
- Construction:** Mold to length.
- Agency Information:** UL/CSA; CE Certified

* Consult factory for 5.00 & 5.08

EM358307

| Position | L1 (mm) | L2 (mm) | Position | L1 (mm) | L2 (mm) |
|----------|---------|---------|----------|---------|---------|
| 02 | 3.81 | 8.40 | 08 | 26.67 | 31.26 |
| 03 | 7.62 | 12.21 | 09 | 30.48 | 35.07 |
| 04 | 11.43 | 16.02 | 10 | 34.29 | 38.88 |
| 05 | 15.24 | 19.83 | 11 | 38.10 | 42.69 |
| 06 | 19.05 | 23.64 | 12 | 41.91 | 46.50 |
| 07 | 22.86 | 27.45 | | | |



Part Numbering System

Inches (Millimeters)

Series

EM3583

of Positions

□ □

02 to 12

Mating Header: EM3593 pg. 93

Series EM3593 Euro-Mag Terminal Blocks

Header (Mates with EM3553 Series); 3.81 Centers

EM359312HC

SPECIFICATIONS

Ratings: 6A, 160V

Center Spacing: .150" (3.81mm)

Housing Material: UL rated 94V0 Thermoplastic

Contact Material: Brass, Tin Plated

Operating Temperature: 105°C (221°F) max., -40°C (-40°F) min.

Recommended PCB Hole Diameters: 0.51" (1.30mm)

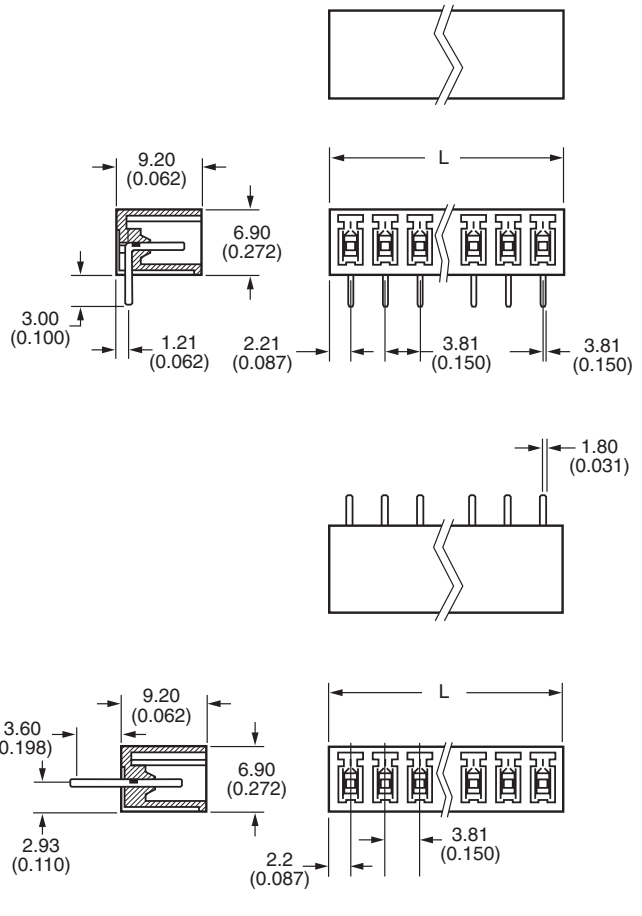
Construction: Mold to length.

Agency information: UL/CSA; CE Certified

| Position | L (mm) | Position | L (mm) |
|----------|--------|----------|--------|
| 02 | 8.23 | 08 | 31.09 |
| 03 | 12.04 | 09 | 34.90 |
| 04 | 15.85 | 10 | 38.71 |
| 05 | 19.66 | 11 | 42.52 |
| 06 | 23.47 | 12 | 46.33 |
| 07 | 27.28 | | |

* Dimensions in inches. To convert to millimeters, multiply by 25.4.

EM359308VC



Euro-MAG Series
Pluggable

Part Numbering System

Inches (Millimeters)

Series

EM3593

of Positions

02 03

02 to 12

Orientation

H V

H - Horizontal
V - Vertical

Side Base

C

C - Closed

Mating Plugs: EM3553 pg. 90
EM3543 pg. 91
EM3583 pg. 92

EM2423 Series Euro-Mag Terminal Blocks

Pluggable Block with Flanges (Mates with EM2211 Series); 3.81 Centers

SPECIFICATIONS

- Rating:** 8A, 300V
- Center Spacing:** .150" (3.81 mm)
- Wire Range:** #16-26 AWG
- Housing Material:** UL rated 94V0 Thermoplastic
- Contact Material:** Brass Tin Plated
- Cage Clamp:** Brass, Nickel Plated
- Screw Size:** M2.0 Nickel Plated Steel
- Operating Temperature:** 105°C (221°F) max., -40°C (-40°F) min.
- Torque Rating:** 2.5 in-lb.
- Construction:** Mold to Length
- Agency Information:** UL/CSA; CE Certified



EM242307

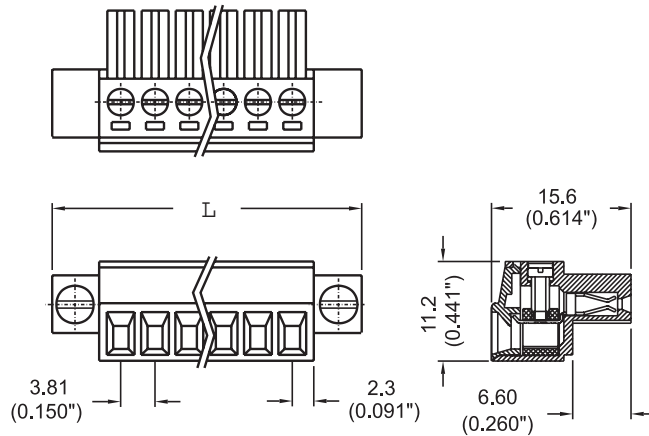


TABLE A

| Poles | L (mm) |
|-------|--------|
| 2 | 17.91 |
| 3 | 21.72 |
| 4 | 25.53 |
| 5 | 29.34 |
| 6 | 33.15 |
| 7 | 36.96 |
| 8 | 40.77 |
| 9 | 44.58 |
| 10 | 48.39 |
| 11 | 52.20 |
| 12 | 56.01 |

To convert to inches, divide by 25.4

Part Numbering System

Series

EM2423

of Poles

□ □

02 to 12

Mating Header: EM2211 pg. 96

EM2443 Series Euro-Mag Terminal Blocks

Pluggable Block with Flanges (Mates with EM2211 Series); 3.81 Centers

SPECIFICATIONS

Rating: 10A, 300V

Center Spacing: .150" (3.81 mm)

Consult factory for .300" (7.62 mm)

Wire Range: #16-24 AWG

Housing Material: UL rated 94V0 Thermoplastic

Contact Material: Brass Tin Plated

Cage Clamp: Brass, Nickel Plated

Screw Size: M2.0 Nickel Plated Steel

Operating Temperature: 105°C (221°F) max., -40°C (-40°F) min.

Torque Rating: 2.5 in-lb.

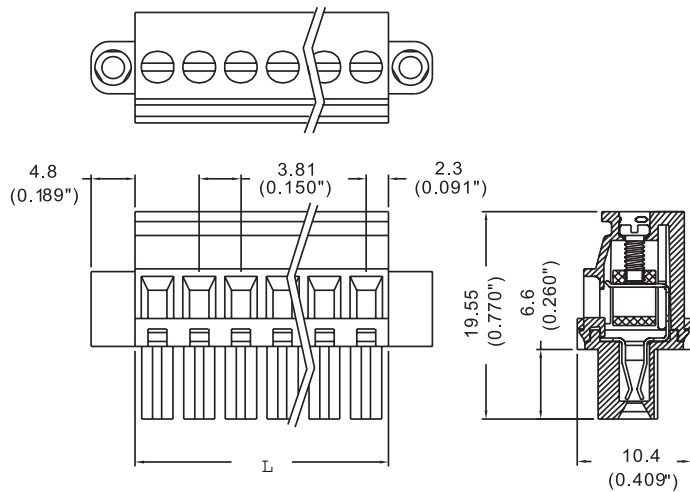
Construction: Mold to Length

Agency Information: UL/CSA; CE Certified

TABLE A

| Poles | L (mm) |
|-------|--------|
| 2 | 7.90 |
| 3 | 11.71 |
| 4 | 15.52 |
| 5 | 19.33 |
| 6 | 23.14 |
| 7 | 26.95 |
| 8 | 30.76 |
| 9 | 34.57 |
| 10 | 38.38 |
| 11 | 42.19 |
| 12 | 46.00 |

To convert to inches, divide by 25.4



Part Numbering System

Series

EM2443

of Poles

02 to 12

Mating Header: EM2211 pg. 96

EM2211 Series Euro-Mag Terminal Blocks

Header with Flanges (Mates with EM2423, EM2443 Series); 3.81 Centers

EM221106H

SPECIFICATIONS

Rating: 8A, 300V

Center Spacing: .150" (3.81 mm)

Consult factory for .300" (7.62 mm)

Housing Material: UL rated 94V0 Thermoplastic

Contact Material: Brass Tin Plated

Operating Temperature: 105°C (221°F) max., -40°C (-40°F) min.

Recommended PCB Hole Diameters: .055" (1.40)

Construction: Mold to Length

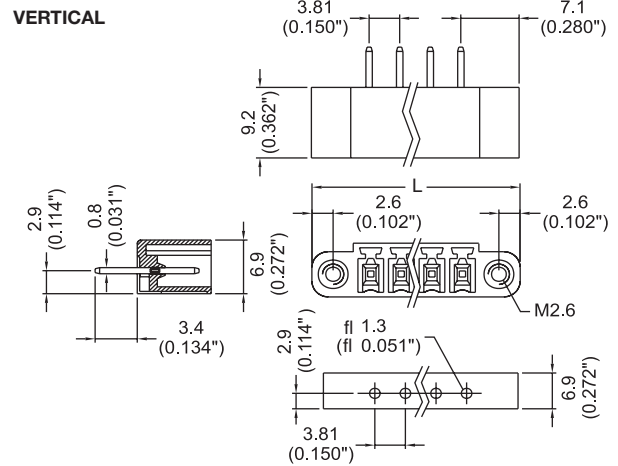
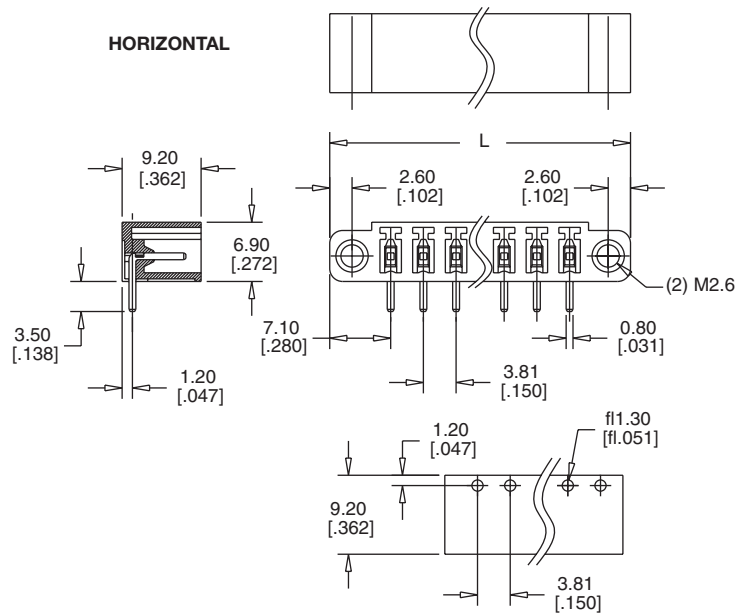
Agency Information: UL/CSA; CE Certified

TABLE A

| Poles | L (mm) |
|-------|--------|
| 2 | 18.02 |
| 3 | 21.83 |
| 4 | 25.64 |
| 5 | 29.45 |
| 6 | 33.26 |
| 7 | 37.07 |
| 8 | 40.88 |
| 9 | 44.69 |
| 10 | 48.50 |
| 11 | 52.31 |
| 12 | 56.12 |
| 14 | 63.74 |

To convert to inches, divide by 25.4

EM221109V



Part Numbering System

| Series | # of Poles | Orientation |
|--------|---|--------------------------------|
| EM2211 | <input type="checkbox"/> <input type="checkbox"/> | <input type="checkbox"/> |
| | 02 to 14 | H - horizontal V - vertical |

Mating Plugs: EM2423 pg. 94
EM2443 pg. 95

Euro-MAG Series
Pluggable

EM2525 Series Euro-Mag Terminal Blocks

Pluggable Block (Mates with EM2535 Series); 5.00 Centers

SPECIFICATIONS

Rating: 16A, 300V

Center Spacing: .197" (5.00 mm)

Consult factory for .394" (10.00 mm)

Wire Range: #12-26 AWG

Housing Material: UL rated 94V0 Thermoplastic

Contact Material: Brass Tin Plated

Screw Size: M3x5 Zinc Plated Steel

Operating Temperature: 105°C (221°F) max., -40°C (-40°F) min.

Torque Rating: 7 in.-lb.

Construction: Mold to Length

Connector Style: Rising Cage Clamp

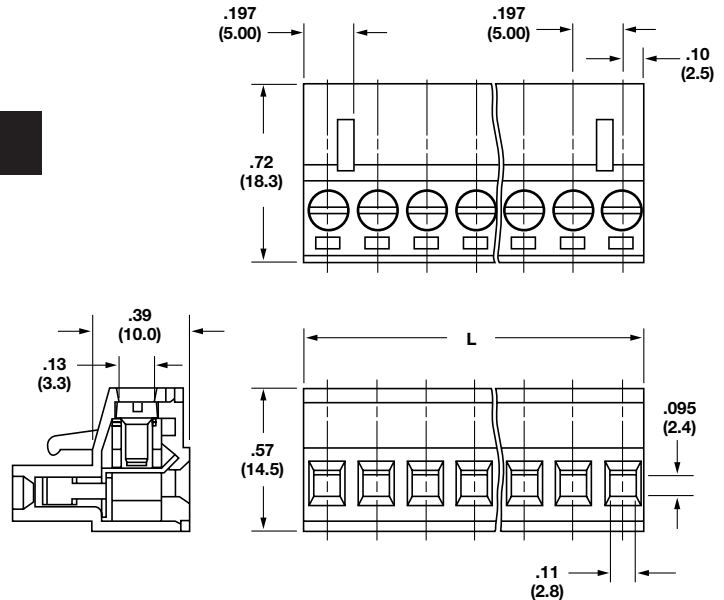
Agency Information: UL/CSA; CE Certified

EM252503

TABLE A

| Position | L (mm) | Position | L (mm) |
|----------|--------|----------|--------|
| 02 | 10.00 | 14 | 70.00 |
| 03 | 15.00 | 15 | 75.00 |
| 04 | 20.00 | 16 | 80.00 |
| 05 | 25.00 | 17 | 85.00 |
| 06 | 30.00 | 18 | 90.00 |
| 07 | 35.00 | 19 | 95.00 |
| 08 | 40.00 | 20 | 100.00 |
| 09 | 45.00 | 21 | 105.00 |
| 10 | 50.00 | 22 | 110.00 |
| 11 | 55.00 | 23 | 115.00 |
| 12 | 60.00 | 24 | 120.00 |
| 13 | 65.00 | | |

To convert to inches, divide by 25.4



Part Numbering System

Series

of Positions

EM2525

□□

02 to 24

Mating Header: EM2535 pg. 100

EM2485 Series Euro-Mag Terminal Blocks

Pluggable Block with Cover
(Mates with EM2535 Series); 5.00 Centers

SPECIFICATIONS

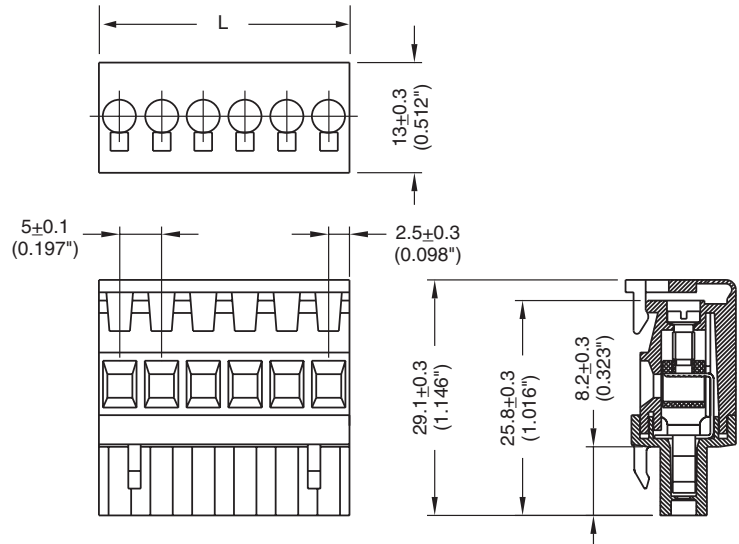
- Rating:** 16A, 300V
- Center Spacing:** .197" (5.00)
- Wire Range:** #14-24 AWG
- Housing Material:** UL rated 94V0 Thermoplastic
- Contact Material:** Tin Plated Phos Bronze
- Cage Clamp:** Brass, Nickel Plated
- Screw Size:** M2.6 Nickel Plated Steel
- Operating Temperature:** 105°C (221°F) max., -40°C (-40°F) min.
- Torque Rating:** 4.5 in-lb.
- Construction:** Mold to Length
- Agency Information:** UL/CSA; CE Certified

EM248506

TABLE A

| Poles | L (mm) |
|-------|--------|
| 2 | 10.00 |
| 3 | 15.00 |
| 4 | 20.00 |
| 5 | 25.00 |
| 6 | 30.00 |
| 7 | 35.00 |
| 8 | 40.00 |

To convert to inches, divide by 25.4



Part Numbering System

Series

EM2485

of Poles

□ □

02 - 08

Mating Header: EM2535 pg. 100

EM3105 Series Euro-Mag Terminal Blocks

Pluggable Block; Top Entry
(Mates with EM2535 Series); 5.00 Centers

SPECIFICATIONS

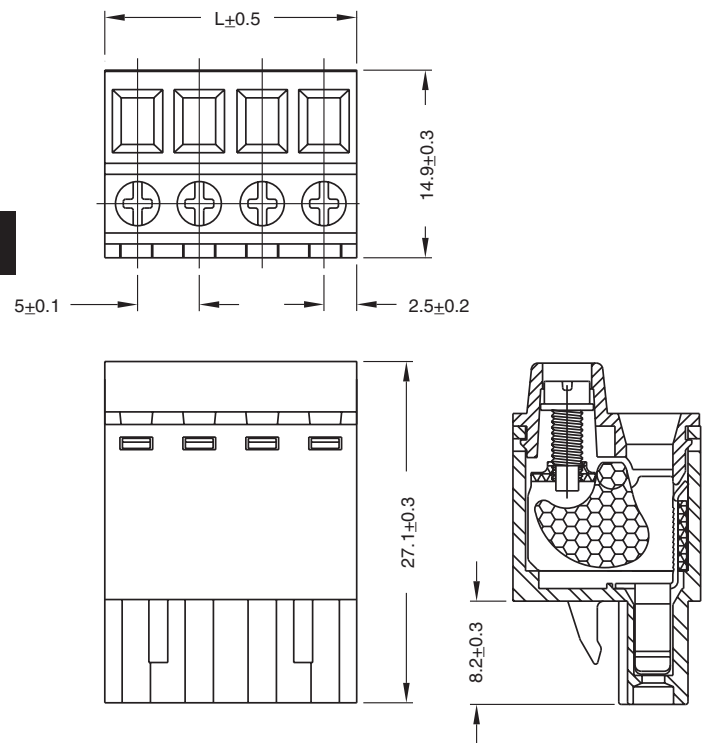
Rating: 16A, 300V
Center Spacing: .197" (5.00)
Wire Range: #14-24 AWG
Housing Material: UL rated 94V0 Thermoplastic
Contact Material: Tin Plated Phos Bronze
Cage Clamp: Brass, Nickel Plated
Screw Size: M2.6 Nickel Plated Steel
Operating Temperature: 105°C (221°F) max., -40°C (-40°F) min.
Torque Rating: 4.5 in.-lb.
Construction: Mold to Length
Agency Information: UL/CSA; CE Certified

EM310508

TABLE A

| Poles | L (mm) | Poles | L (mm) |
|-------|--------|-------|--------|
| 2 | 10.00 | 8 | 40.00 |
| 3 | 15.00 | 9 | 45.00 |
| 4 | 20.00 | 10 | 50.00 |
| 5 | 25.00 | 11 | 55.00 |
| 6 | 30.00 | 12 | 60.00 |
| 7 | 35.00 | | |

To convert to inches, divide by 25.4



Euro-MAG Series
Pluggable

Part Numbering System

Series

EM3105

of Poles

□□

02 to 12

Mating Header: EM2535 pg 100

EM2535 Series Euro-Mag Terminal Blocks

Header (Mates with EM2525, EM2485 & EM3105 Series); 5.00 Centers

SPECIFICATIONS

Rating: 16A, 300V

Center Spacing: .197" (5.00 mm)

Consult factory for .394" (10.00 mm)

Housing Material: UL rated 94V0 Thermoplastic

Contact Material: Brass Tin Plated

Operating Temperature: 105°C (221°F) max., -40°C (-40°F) min.

Recommended PCB Hole Diameters: .055" (1.40)

Construction: Mold to Length

Agency Information: UL/CSA; CE Certified

TABLE A

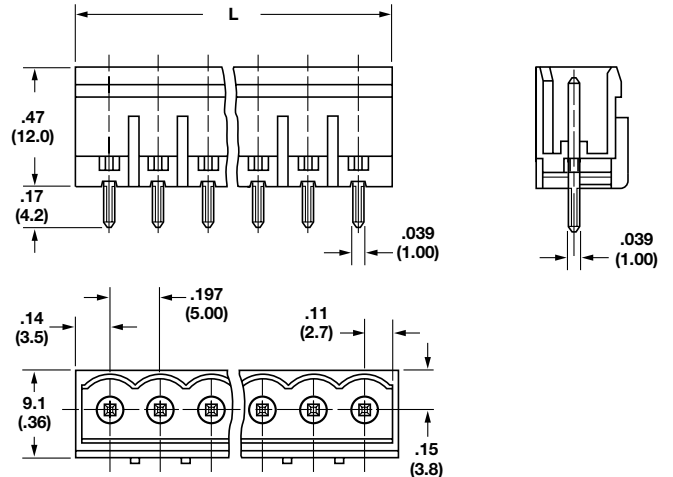
| Position | Open L (mm) | Closed L (mm) | Position | Open L (mm) | Closed L (mm) |
|----------|-------------|---------------|----------|-------------|---------------|
| 02 | 10.00 | 12.00 | 14 | 70.00 | 72.00 |
| 03 | 15.00 | 17.00 | 15 | 75.00 | 77.00 |
| 04 | 20.00 | 22.00 | 16 | 80.00 | 82.00 |
| 05 | 25.00 | 27.00 | 17 | 85.00 | 87.00 |
| 06 | 30.00 | 32.00 | 18 | 90.00 | 92.00 |
| 07 | 35.00 | 37.00 | 19 | 95.00 | 97.00 |
| 08 | 40.00 | 42.00 | 20 | 100.00 | 102.00 |
| 09 | 45.00 | 47.00 | 21 | 105.00 | 107.00 |
| 10 | 50.00 | 52.00 | 22 | 110.00 | 112.00 |
| 11 | 55.00 | 57.00 | 23 | 115.00 | 117.00 |
| 12 | 60.00 | 62.00 | 24 | 120.00 | 122.00 |
| 13 | 65.00 | 67.00 | | | |

To convert to inches, divide by 25.4

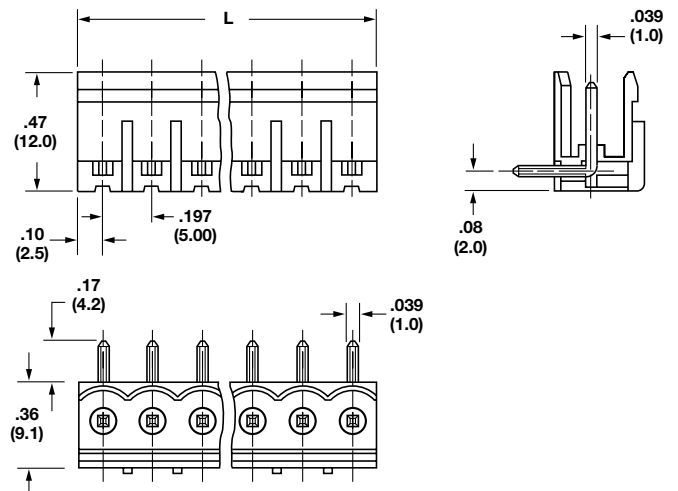
EM253505VC

EM253508HO

VERTICAL - CLOSED



HORIZONTAL - OPEN



Part Numbering System

Series

EM2535

of Positions

□ □

02 to 24

Orientations

□

H - horizontal
V - vertical

Side Base

□

O - open
C - closed

Mating Plugs: EM2525 pg. 97
EM2485 pg. 98
EM3105 pg. 99

EM2565 Series Euro-Mag Terminal Blocks

Pluggable Block (Mates with EM2575 Series); 5.08 Centers

SPECIFICATIONS

Rating: 16A, 300V

Center Spacing: .200" (5.08 mm)

Consult factory for .400" (10.16 mm)

Wire Range: #12-26 AWG

Housing Material: UL rated 94V0 Thermoplastic

Contact Material: Brass Tin Plated

Screw Size: M3x5 Zinc Plated Steel

Operating Temperature: 105°C (221°F) max., -40°C (-40°F) min.

Torque Rating: 7 in.-lb.

Construction: Mold to Length

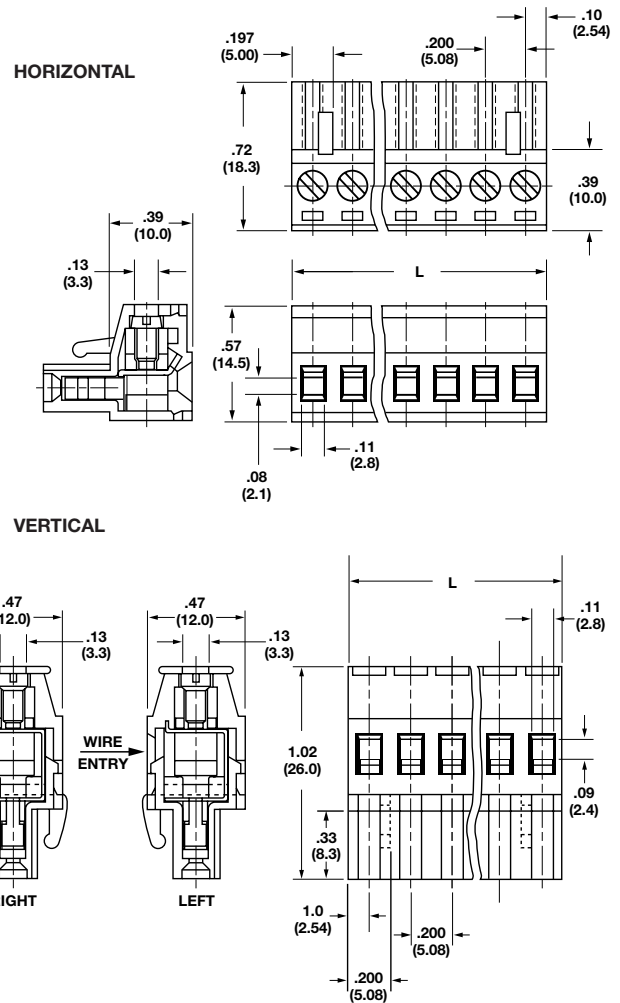
Agency Information: UL/CSA; CE Certified

TABLE A

| Position | L (mm) | Position | L (mm) |
|----------|--------|----------|--------|
| 02 | 10.16 | 14 | 71.12 |
| 03 | 15.24 | 15 | 76.20 |
| 04 | 20.32 | 16 | 81.28 |
| 05 | 25.40 | 17 | 86.36 |
| 06 | 30.48 | 18 | 91.44 |
| 07 | 35.56 | 19 | 96.52 |
| 08 | 40.64 | 20 | 101.60 |
| 09 | 45.72 | 21 | 106.68 |
| 10 | 50.80 | 22 | 111.76 |
| 11 | 55.88 | 23 | 116.84 |
| 12 | 60.96 | 24 | 121.92 |
| 13 | 66.04 | | |

To convert to inches, divide by 25.4

EM25603VR



Euro-MAG Series
Pluggable

Part Numbering System

| Series | # of Positions | Orientation | Wire Entry (Vertical Orientation Only) | Mating Header: EM2575 pg. 104 |
|--------|---|--------------------------------|---|-------------------------------|
| EM2565 | <input type="text"/> <input type="text"/> | <input type="checkbox"/> | <input type="checkbox"/> | |
| | 02 to 24 | H - horizontal V - vertical | L - left R - right | |

EM2488 Series Euro-Mag Terminal Blocks

Pluggable Block (Mates with EM2575 Series); 5.08 Centers with Cover

SPECIFICATIONS

Rating: 16A, 300V

Center Spacing: .200" (5.08)

Wire Range: #14-24 AWG

Housing Material: UL rated 94V0 Thermoplastic

Contact Material: Brass Tin Plated

Cage Clamp: Brass, Nickel Plated

Screw Size: M2.6 Nickel Plated Steel

Operating Temperature: 105°C (221°F) max., -40°C (-40°F) min.

Torque Rating: 4.5 in-lb.

Construction: Mold to Length

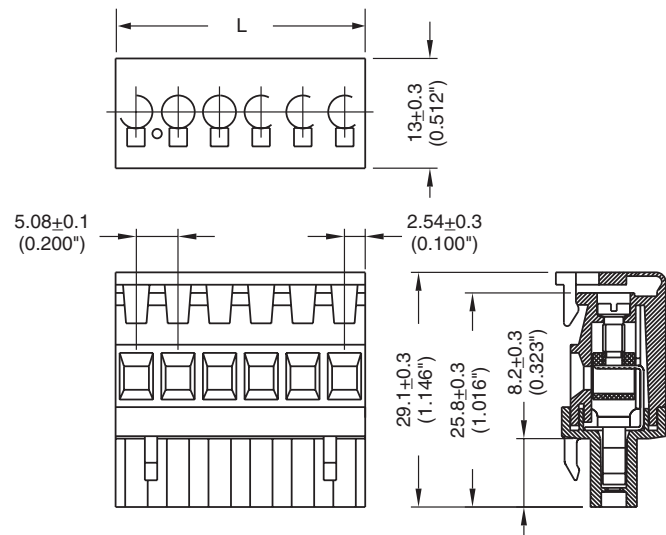
Agency Information: UL/CSA; CE Certified

TABLE A

| Poles | L (mm) |
|-------|--------|
| 2 | 10.16 |
| 3 | 15.24 |
| 4 | 20.32 |
| 5 | 25.40 |
| 6 | 30.48 |
| 7 | 35.56 |
| 8 | 40.64 |

To convert to inches, divide by 25.4

EM248806



Part Numbering System

Series

EM2488

of Poles

□□

02 to 08

Mating Header: EM2575 pg. 104

EM3108 Series Euro-Mag Terminal Blocks

Pluggable Block; Front Entry (Mates with EM2575 Series); 5.08 Centers

SPECIFICATIONS

Rating: 16A, 300V

Center Spacing: .200" (5.08 mm)

Wire Range: #14-24 AWG

Housing Material: UL rated 94V0 Thermoplastic

Contact Material: Brass Tin Plated

Cage Clamp: Brass, Nickel Plated

Screw Size: M2.6 Nickel Plated Steel

Operating Temperature: 105°C (221°F) max., -40°C (-40°F) min.

Torque Rating: 4.5 in-lb.

Construction: Mold to Length

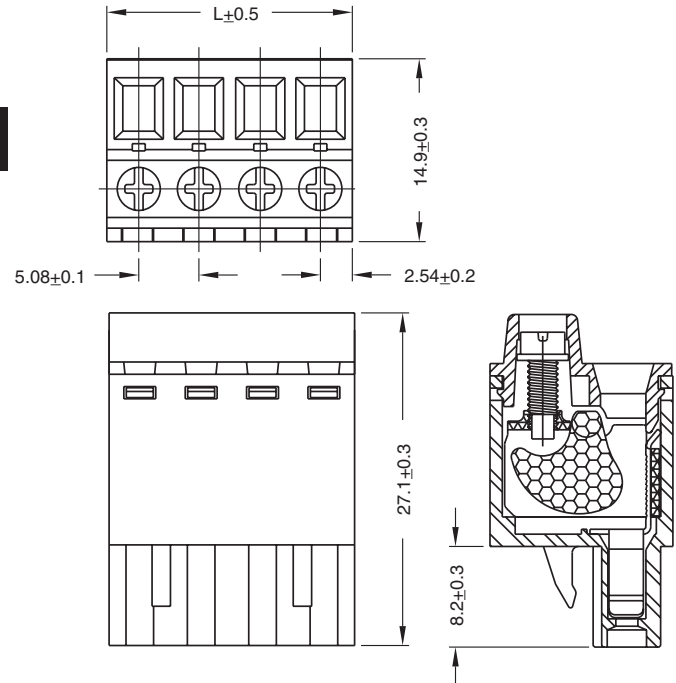
Agency Information: UL/CSA; CE Certified

EM310808

TABLE A

| Poles | L (mm) | Poles | L (mm) |
|-------|--------|-------|--------|
| 2 | 10.16 | 14 | 71.12 |
| 3 | 15.24 | 15 | 76.20 |
| 4 | 20.32 | 16 | 81.28 |
| 5 | 25.40 | 17 | 86.36 |
| 6 | 30.48 | 18 | 91.44 |
| 7 | 35.45 | 19 | 96.52 |
| 8 | 40.64 | 20 | 101.60 |
| 9 | 45.72 | 21 | 106.68 |
| 10 | 50.80 | 22 | 111.76 |
| 11 | 55.88 | 23 | 116.84 |
| 12 | 60.96 | 24 | 121.92 |
| 13 | 66.04 | | |

To convert to inches, divide by 25.4



Part Numbering System

Series

EM3108

of Poles

□□

02 to 24

Mating Header: EM2575 pg. 104

EM257512HC

EM2575 Series Euro-Mag Terminal Blocks

Header (Mates with EM2565, EM2488, EM3108 Series); 5.08 Centers

SPECIFICATIONS

Rating: 16A, 300V

Center Spacing: .200" (5.08 mm)

Consult factory for .400" (10.16 mm)

Housing Material: UL rated 94V0 Thermoplastic

Contact Material: Brass Tin Plated

Operating Temperature: 105°C (221°F) max., -40°C (-40°F) min.

Recommended PCB Hole Diameters: .055" (1.40)

Construction: Mold to Length

Agency Information: UL/CSA; CE Certified

EM257506HO

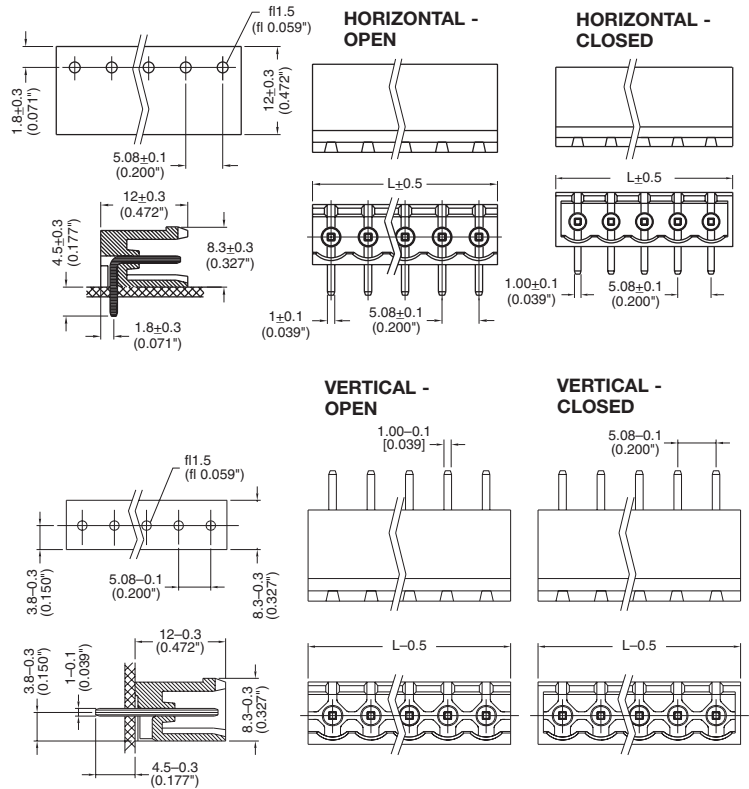
EM257512VC

TABLE A

| Poles | Open L (mm) | Closed L (mm) | Poles | Open L (mm) | Closed L (mm) |
|-------|-------------|---------------|-------|-------------|---------------|
| 2 | 10.16 | 12.08 | 14 | 71.12 | 73.04 |
| 3 | 15.24 | 17.16 | 15 | 76.20 | 78.12 |
| 4 | 20.32 | 22.24 | 16 | 81.28 | 83.20 |
| 5 | 25.40 | 27.32 | 17 | 86.36 | 88.28 |
| 6 | 30.48 | 32.40 | 18 | 91.44 | 93.36 |
| 7 | 35.56 | 37.48 | 19 | 96.52 | 98.44 |
| 8 | 40.64 | 42.66 | 20 | 101.60 | 103.52 |
| 9 | 45.72 | 47.64 | 21 | 106.68 | 105.60 |
| 10 | 50.80 | 52.72 | 22 | 111.76 | 113.68 |
| 11 | 55.88 | 57.80 | 23 | 116.84 | 118.76 |
| 12 | 60.96 | 62.88 | 24 | 121.92 | 123.84 |
| 13 | 66.04 | 67.96 | | | |

To convert to inches, divide by 25.4

EM257506VO



Part Numbering System

| Series | # of Poles | Orientation | Side Base |
|--------|------------|--------------------------------|------------------------|
| EM2575 | □□ | □ | □ |
| | 02 to 24 | H - horizontal V - vertical | O - open C - closed |

Mating Plugs: EM2565 pg. 101
EM2488 pg. 102
EM3108 pg. 103

Euro-MAG Series
Pluggable

Series EM2115 Series

Pluggable Terminal Block with Flanges;
(Mates with EM2215 Series);5.00 Centers

SPECIFICATIONS:

Rating: 16A, 300V

Center Spacing: .197" (5.00mm)

Wire Range: #14-24 AWG

Housing Material: UL rated 94V0 Thermoplastic

Contact Material: Tin Plated Phosphor Bronze

Screw Size: M2x6 Nickel Plated Steel

Operating Temperature: 105°C (221°F) max., -55°C (-67°F) min.

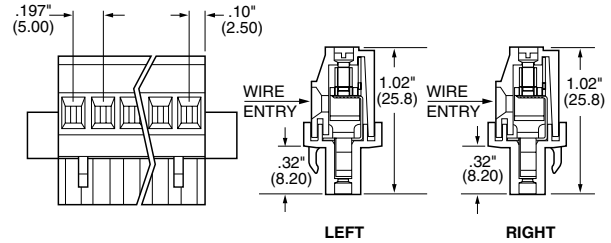
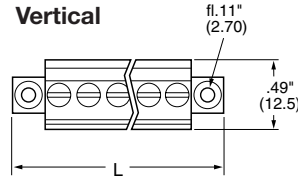
Torque Rating: 4.5 in-lb.

Construction: Mold to Length

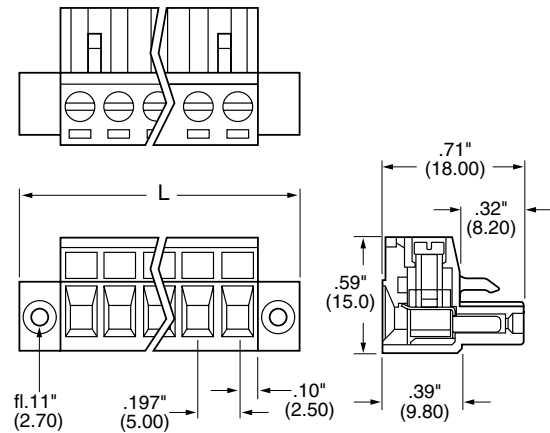
Agency Information: UL/CSA; CE Certified

| Poles | A (mm) | A (Inch) | Poles | A (mm) | A (Inch) |
|-------|--------|----------|-------|--------|----------|
| 2 | 20.00 | 0.787 | 13 | 75.00 | 2.952 |
| 3 | 25.00 | 0.984 | 14 | 80.00 | 3.149 |
| 4 | 30.00 | 1.181 | 15 | 85.00 | 3.346 |
| 5 | 35.00 | 1.378 | 16 | 90.00 | 3.543 |
| 6 | 40.00 | 1.575 | 17 | 95.00 | 3.740 |
| 7 | 45.00 | 1.772 | 18 | 100.00 | 3.937 |
| 8 | 50.00 | 1.969 | 19 | 105.00 | 4.133 |
| 9 | 55.00 | 2.165 | 20 | 110.00 | 4.330 |
| 10 | 60.00 | 2.362 | 21 | 115.00 | 4.527 |
| 11 | 65.00 | 2.559 | 22 | 120.00 | 4.724 |
| 12 | 70.00 | 2.756 | | | |

EM211514VL



Horizontal



Part Numbering System

Inches (Millimeters)

Series

EM2115

of Poles

□ □

02 to 22

Orientation

□

V - Vertical
H - Horizontal

Wire Entry

□

L - Left wire entry
R - Right wire entry
(specify for V orientation)

Mating Header: EM2215 pg. 107

EM3115 Series Euro-Mag Terminal Blocks

Pluggable Block; Top Entry (Mates with EM2215 Series); 5.00 Centers

SPECIFICATIONS

Rating: 16A, 300V

Center Spacing: .197" (5.00 mm)

Wire Range: #14-24 AWG

Housing Material: UL rated 94V0 Thermoplastic

Contact Material: Brass Tin Plated

Cage Clamp: Brass, Nickel Plated

Screw Size: M2.6 Nickel Plated Steel

Operating Temperature: 105°C (221°F) max., -40°C (-40°F) min.

Torque Rating: 4.5 in-lb.

Construction: Mold to Length

Agency Information: UL/CSA; CE Certified

EM311503

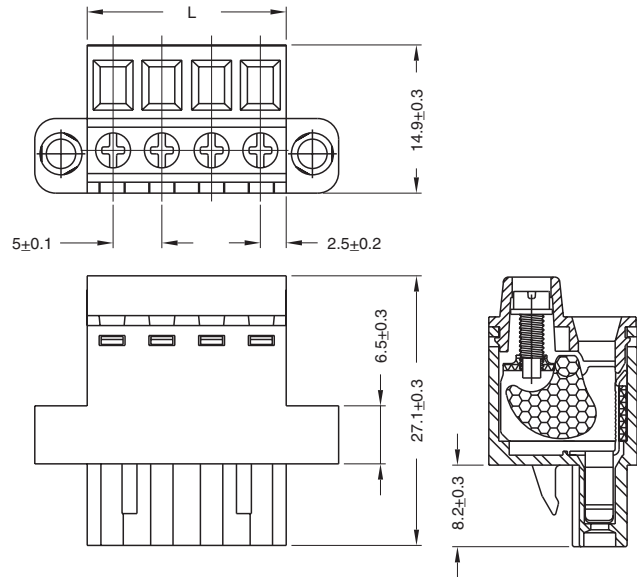


TABLE A

| Poles | L (mm) | Poles | L (mm) |
|-------|--------|-------|--------|
| 2 | 20.00 | 14 | 80.00 |
| 3 | 25.00 | 15 | 85.00 |
| 4 | 30.00 | 16 | 90.00 |
| 5 | 35.00 | 17 | 95.00 |
| 6 | 40.00 | 18 | 100.00 |
| 7 | 45.00 | 19 | 105.00 |
| 8 | 50.00 | 20 | 110.00 |
| 9 | 55.00 | 21 | 115.00 |
| 10 | 60.00 | 22 | 120.00 |
| 11 | 65.00 | 23 | 125.00 |
| 12 | 70.00 | 24 | 130.00 |
| 13 | 75.00 | | |

To convert to inches, divide by 25.4

Part Numbering System

Series

EM3115

of Poles

□□

02 to 22

Mating Header: EM2215 pg. 107

Series EM2215

Header with Flanges; (Mates with EM2115, EM3115 Series); 5.00 Centers

SPECIFICATIONS:

Rating: 16A, 300V

Center Spacing: .197" (5.00mm)

Housing Material: UL rated 94V0 Thermoplastic

Contact Material: Tin Plated Brass

Operating Temperature: 105°C (221°F) max., -55°C (-67°F) min.

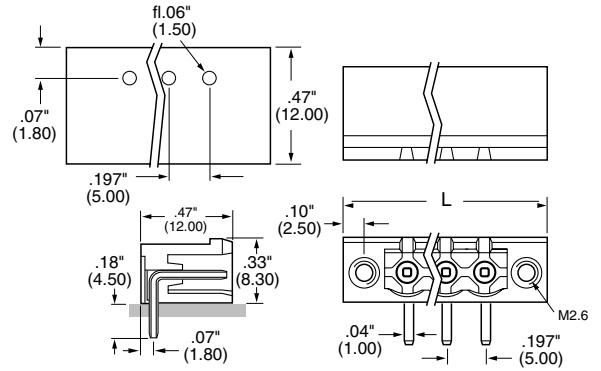
Construction: Mold to Length

Agency Information: UL/CSA; CE Certified

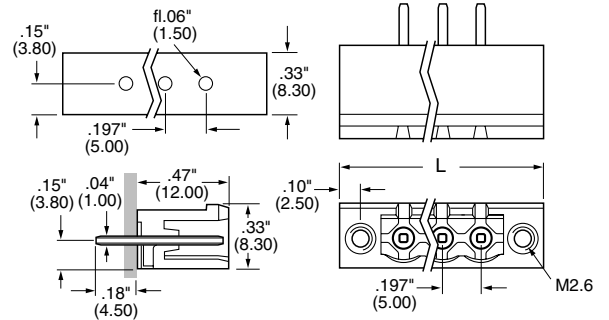
| Poles | A (mm) | A (Inch) | Poles | A (mm) | A (Inch) |
|-------|--------|----------|-------|--------|----------|
| 2 | 10.00 | 0.393 | 13 | 65.00 | 2.559 |
| 3 | 15.00 | 0.590 | 14 | 75.00 | 2.953 |
| 4 | 20.00 | 0.787 | 15 | 80.00 | 3.150 |
| 5 | 25.00 | 0.984 | 16 | 85.00 | 3.346 |
| 6 | 30.00 | 1.181 | 17 | 90.00 | 3.543 |
| 7 | 35.00 | 1.378 | 18 | 95.00 | 3.740 |
| 8 | 40.00 | 1.575 | 19 | 100.00 | 3.937 |
| 9 | 45.00 | 1.772 | 20 | 105.00 | 4.133 |
| 10 | 50.00 | 1.969 | 21 | 110.00 | 4.331 |
| 11 | 55.00 | 2.165 | 22 | 115.00 | 4.528 |
| 12 | 60.00 | 2.362 | | | |

EM221503V

Horizontal



Vertical



Part Numbering System

Inches (Millimeters)

Series

EM2215

of Poles

□ □

02 to 22

Orientation

□

H - Horizontal
V - Vertical

Mating Plugs: EM2115 pg. 105
EM3115 pg. 106

Series EM2118 Series

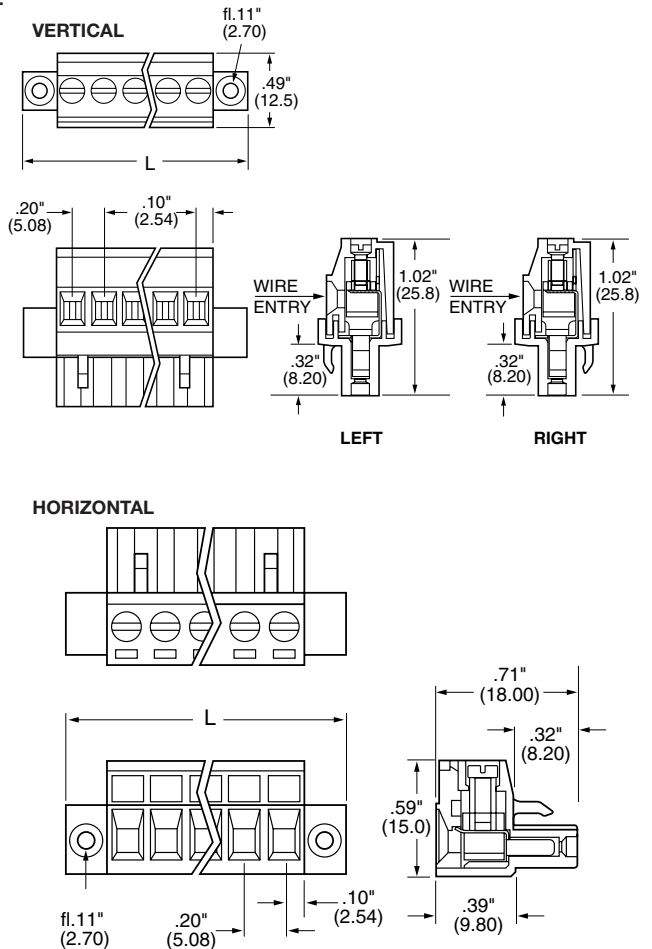
Pluggable Terminal Block with Flanges;
(Mates with EM2218 Series); 5.08 Centers

SPECIFICATIONS:

- Rating:** 16A, 300V
- Center Spacing:** .200" (5.08mm)
- Wire Range:** #14-24 AWG
- Housing Material:** UL rated 94V0 Thermoplastic
- Contact Material:** Tin Plated Phosphor Bronze
- Screw Size:** M 3x0 Nickel Plated Steel
- Operating Temperature:** 105°C (221°F) max., -55°C (-67°F) min.
- Torque Rating:** 4.5 in-lb.
- Construction:** Mold to Length
- Agency Information:** UL/CSA; CE Certified

EM211803H

EM211814VL



| Poles | A (mm) | A (Inch) | Poles | A (mm) | A (Inch) |
|-------|--------|----------|-------|--------|----------|
| 2 | 20.32 | 0.800 | 13 | 76.20 | 3.000 |
| 3 | 25.40 | 1.000 | 14 | 81.28 | 3.200 |
| 4 | 30.48 | 1.200 | 15 | 86.36 | 3.400 |
| 5 | 35.56 | 1.400 | 16 | 91.44 | 3.600 |
| 6 | 40.64 | 1.600 | 17 | 96.52 | 3.800 |
| 7 | 45.72 | 1.800 | 18 | 101.60 | 4.000 |
| 8 | 50.80 | 2.000 | 19 | 106.68 | 4.200 |
| 9 | 55.88 | 2.200 | 20 | 111.76 | 4.400 |
| 10 | 60.96 | 2.400 | 21 | 116.84 | 4.600 |
| 11 | 66.04 | 2.600 | 22 | 121.92 | 4.800 |
| 12 | 71.12 | 2.800 | | | |

Euro-MAG Series
Pluggable

Part Numbering System

Inches (Millimeters)

Series

EM2118

of Positions

□□

02 to 22

Orientation

□

V - Vertical
H - Horizontal

Mating Header: EM2218 pg. 110

EM3118 Series Euro-Mag Terminal Blocks

Pluggable Block, Top Entry (Mates with EM2218 Series); 5.08 Centers

SPECIFICATIONS

Rating: 16A, 300V

Center Spacing: .200" (5.08 mm)

Wire Range: #14-24 AWG

Housing Material: UL rated 94V0 Thermoplastic

Contact Material: Brass Tin Plated

Cage Clamp: Brass, Nickel Plated

Screw Size: M2.6 Nickel Plated Steel

Operating Temperature: 105°C (221°F) max., -40°C (-40°F) min.

Torque Rating: 4.5 in-lb.

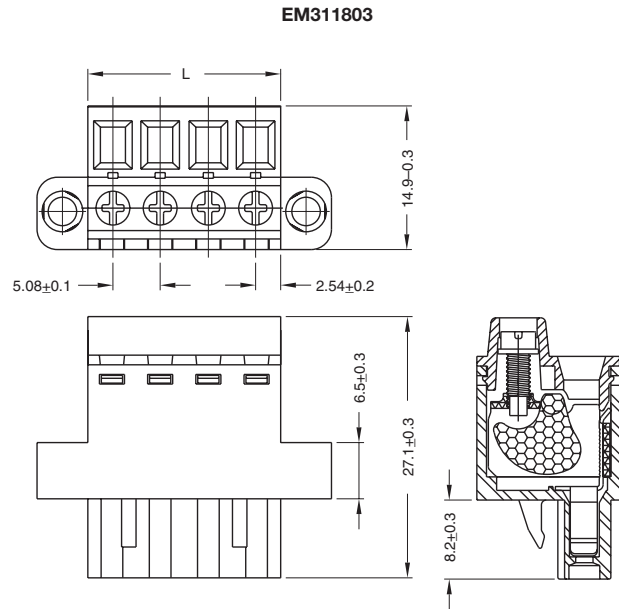
Construction: Mold to Length

Agency Information: UL/CSA; CE Certified

TABLE A

| Poles | L (mm) | Poles | L (mm) |
|-------|--------|-------|--------|
| 2 | 20.32 | 13 | 76.20 |
| 3 | 25.40 | 14 | 81.28 |
| 4 | 30.48 | 15 | 86.36 |
| 5 | 35.45 | 16 | 91.44 |
| 6 | 40.64 | 17 | 96.52 |
| 7 | 45.72 | 18 | 101.60 |
| 8 | 50.80 | 19 | 106.68 |
| 9 | 55.88 | 20 | 111.76 |
| 10 | 60.96 | 21 | 116.84 |
| 11 | 66.04 | 22 | 121.92 |
| 12 | 71.12 | | |

To convert to inches, divide by 25.4



Part Numbering System

Series

EM3118

of Poles

□ □

02 to 22

Mating Header: EM2218 pg. 110

Series EM2218

Header with Flanges; (Mates with EM2118, EM3118 Series); 5.08 Centers

SPECIFICATIONS:

Rating: 12A, 300V

Center Spacing: .200" (5.08mm)

Housing Material: UL rated 94V0 Thermoplastic

Contact Material: Tin Plated Brass

Operating Temperature: 105°C (221°F) max., -55°C (-67°F) min.

Recommended PCB Hole Diameters: .059" (1.50)

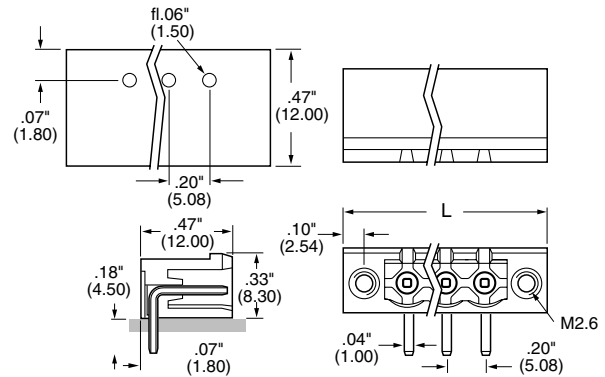
Construction: Mold to Length

Agency Information: UL/CSA; CE Certified

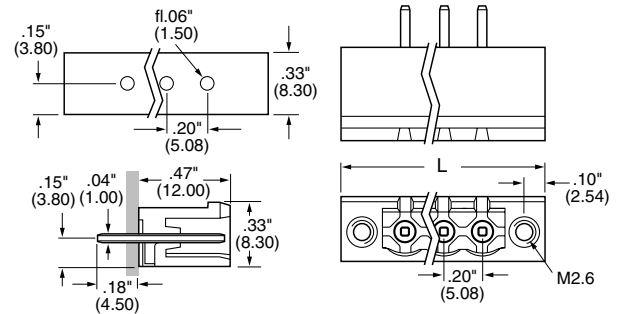
EM221804H

EM221804V

Horizontal



Vertical



| Poles | L (mm) | L (Inch) | Poles | L (mm) | L (Inch) |
|-------|--------|----------|-------|--------|----------|
| 2 | 20.32 | 0.8 | 12 | 71.12 | 2.8 |
| 3 | 25.40 | 1.0 | 13 | 76.20 | 3.0 |
| 4 | 30.48 | 1.2 | 14 | 81.28 | 3.2 |
| 5 | 35.56 | 1.4 | 15 | 86.36 | 3.4 |
| 6 | 40.64 | 1.6 | 16 | 91.44 | 3.6 |
| 7 | 45.72 | 1.8 | 17 | 96.52 | 3.8 |
| 8 | 50.80 | 2.0 | 18 | 101.60 | 4.0 |
| 9 | 55.88 | 2.2 | 19 | 106.68 | 4.2 |
| 10 | 60.95 | 2.4 | 20 | 111.76 | 4.4 |
| 11 | 66.04 | 2.6 | | | |

Part Numbering System

Inches (Millimeters)

Series

EM2218

of Poles

□□

02 to 22

Orientation

□

H - Horizontal
V - Vertical

Mating Plugs: EM2118 pg. 108
EM3118 pg. 109

NOTES

EM3516 Series Euro-Mag Terminal Blocks

Pluggable Block (Mates with EM3526 Series);
7.62 Centers

SPECIFICATIONS

Rating: 16A, 300V

Center Spacing: .300" (7.62 mm)

Wire Range: #14-24 AWG

Housing Material: UL rated 94V0 Thermoplastic

Contact Material: Tin Plated Brass

Cage Clamp: Brass, Nickel Plated

Screw Size: M3.0 Zinc Plated Steel

Operating Temperature: 105°C (221°F) max., -40°C (-40°F) min.

Torque Rating: 5.0 in-lb.

Recommended PCB Hole Diameters: .055" (1.40)

Construction: Mold to Length

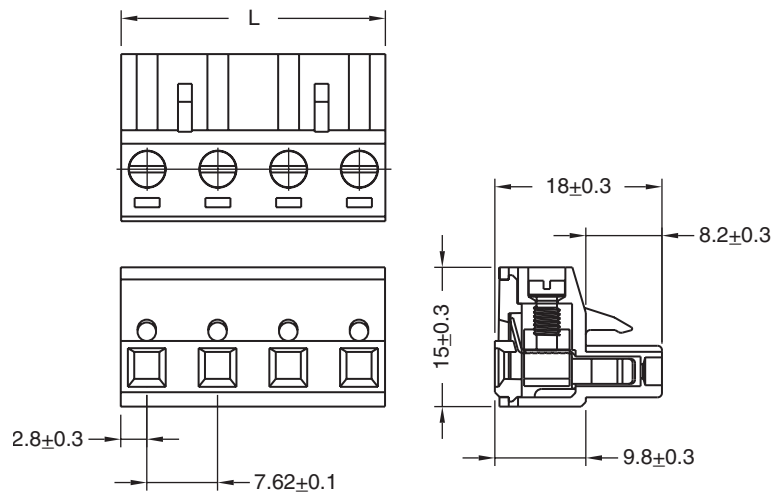
Agency Information: UL/CSA; CE Certified

EM351603

TABLE A

| Poles | L (mm) |
|-------|--------|
| 2 | 8.41 |
| 3 | 12.22 |
| 4 | 16.03 |
| 5 | 19.84 |
| 6 | 23.65 |
| 7 | 27.46 |
| 8 | 31.27 |
| 9 | 35.08 |
| 10 | 38.89 |
| 11 | 42.70 |
| 12 | 46.51 |

To convert to inches, divide by 25.4



Part Numbering System

Series

EM3516

of Poles

□□

02 to 12

EM3526 Series Euro-Mag Terminal Blocks

Closed and Open Header (Mates with EM3516 Series); 7.62 Centers

SPECIFICATIONS

Rating: 16A, 300V

Center Spacing: .300" (7.62)

Housing Material: UL rated 94V0 Thermoplastic

Contact Material: Brass Tin Plated

Operating Temperature: 105°C (221°F) max., -40°C (-40°F) min.

Recommended PCB Hole Diameters: .055" (1.40)

Construction: Mold to Length

Agency Information: UL/CSA; CE Certified

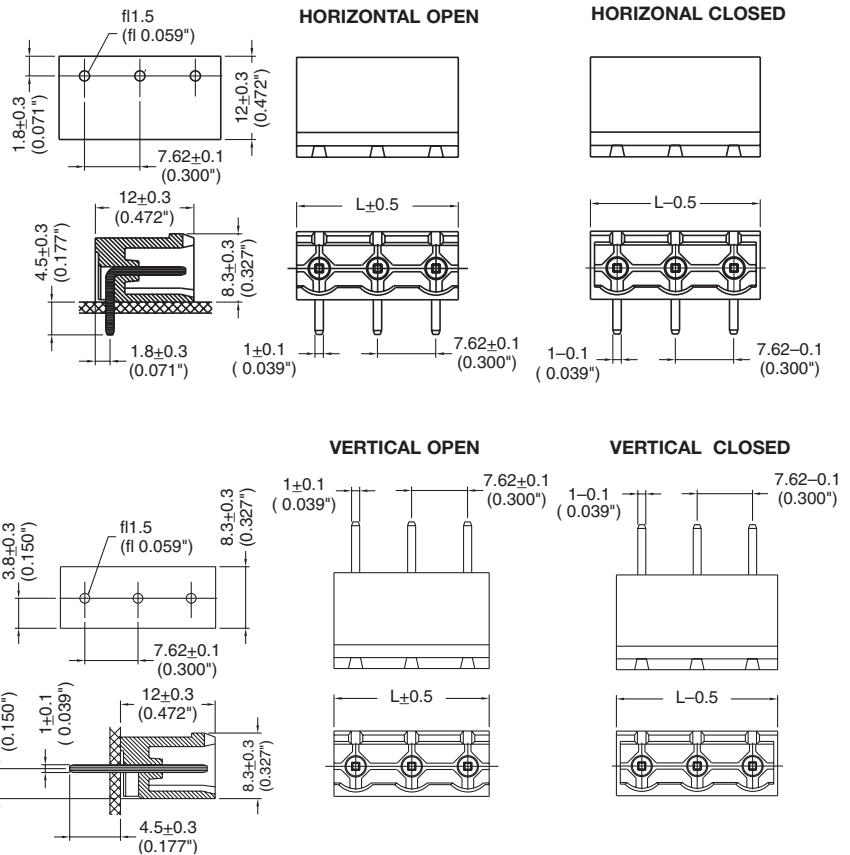
EM352610HO

EM352604VC

TABLE A

| Poles | Open L (mm) | Closed L (mm) |
|-------|-------------|---------------|
| 2 | 13.44 | 15.24 |
| 3 | 21.06 | 22.86 |
| 4 | 28.68 | 30.48 |
| 5 | 36.60 | 38.10 |
| 6 | 43.92 | 45.72 |
| 7 | 51.54 | 53.34 |
| 8 | 59.16 | 60.96 |
| 9 | 66.78 | 68.58 |
| 10 | 74.40 | 76.20 |
| 11 | 82.02 | 83.82 |
| 12 | 89.64 | 91.44 |

To convert to inches, divide by 25.4



Part Numbering System

Series

EM3526

of Poles

□ □

02 to 24

Orientation

□

H - horizontal
V - vertical

Side Base

□

O - open
C - closed

EM2416 Series Euro-Mag Terminal Blocks

Pluggable Block with Flanges (Mates with EM2426 Series); 7.62 Centers

SPECIFICATIONS

Rating: 16A, 300V

Center Spacing: .300" (7.62 mm)

Wire Range: #14-24 AWG

Housing Material: UL rated 94V0 Thermoplastic

Contact Material: Tin Plated Brass

Cage Clamp: Brass, Nickel Plated

Screw Size: M3.0 Zinc Plated Steel

Operating Temperature: 105°C (221°F) max., -40°C (-40°F) min.

Torque Rating: 5.0 in-lb.

Recommended PCB Hole Diameters: .055" (1.40)

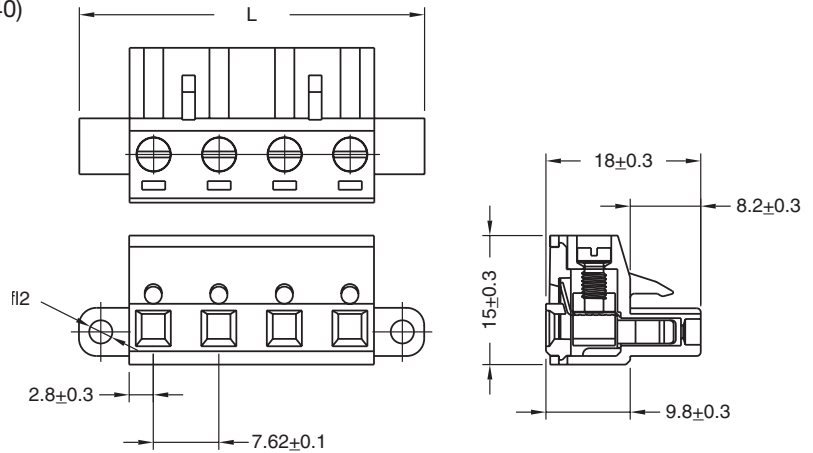
Construction: Mold to Length

Agency Information: UL/CSA; CE Certified

EM241602

TABLE A

| Poles | L (mm) |
|-------|--------|
| 2 | 24.90 |
| 3 | 32.50 |
| 4 | 40.10 |
| 5 | 47.80 |
| 6 | 55.40 |
| 7 | 63.00 |
| 8 | 70.60 |
| 9 | 78.20 |
| 10 | 89.90 |
| 11 | 93.50 |
| 12 | 101.10 |



To convert to inches, divide by 25.4

Part Numbering System

Series

EM2416

of Poles

□□

02 to 12

EM2426 Series Euro-Mag Terminal Blocks

Header with Flanges (Mates with EM2416 Series); 7.62 Centers

EM242603V

SPECIFICATIONS

Rating: 16A, 300V

Center Spacing: .300" (7.62)

Housing Material: UL rated 94V0 Thermoplastic

Contact Material: Tin Plated Brass

Operating Temperature: 105°C (221°F) max., -40°C (-40°F) min.

Recommended PCB Hole Diameters: .059" (1.50)

Construction: Mold to Length

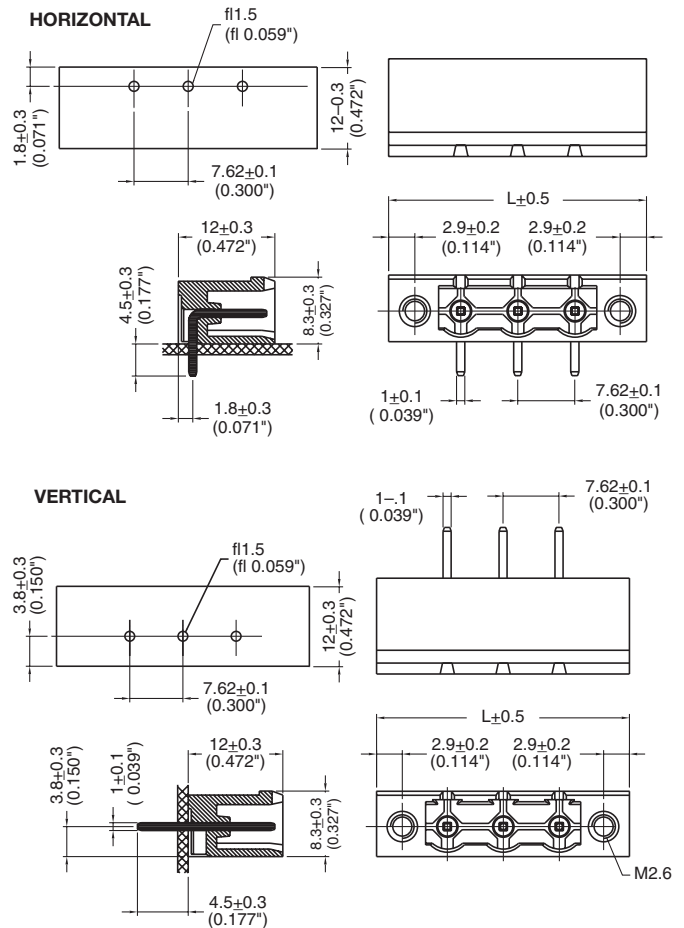
Agency Information: UL/CSA; CE Certified

TABLE A

| Poles | L (mm) | Poles | L (mm) |
|-------|--------|-------|--------|
| 2 | 25.62 | 8 | 71.34 |
| 3 | 33.24 | 9 | 78.96 |
| 4 | 40.86 | 10 | 86.58 |
| 5 | 48.48 | 11 | 94.20 |
| 6 | 56.10 | 12 | 101.80 |
| 7 | 63.72 | | |

To convert to inches, divide by 25.4

EM242606H



Part Numbering System

Series

EM2426

of Poles

02 to 12

Orientation

H - horizontal
V - vertical

EM5015 Series Euro-Mag Terminal Blocks

Pluggable Block
(Mates with EM5025 Series); 5.00 Centers

SPECIFICATIONS

Rating: 15A, 300V

Center Spacing: .197" (5.00)

Wire Range: #16-24 AWG

Housing Material: Blue UL 94V0 Thermoplastic

Contact Material: Tin Plated Brass

Screw Size: M2x6 Chromatized Steel

Operating Temperature: 120°C (221°F) max., -40°C (-40°F) min.

Torque Rating: 3.0 in-lb.

Construction: Modular design features dove-tails for interlocking to achieve longer lengths

Connector Style: Spring Clamp

Agency Information: UL/CSA; CE Certified

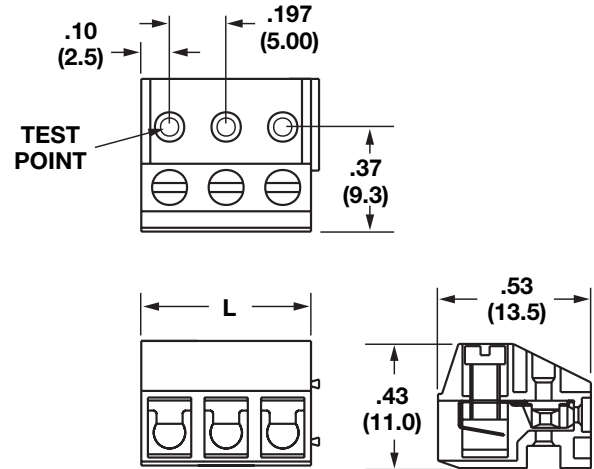
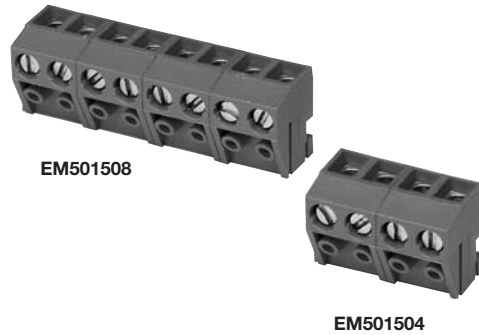
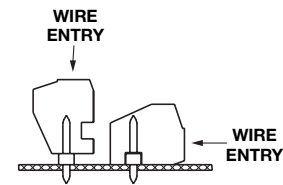


TABLE A

| Poles | L (mm) | Poles | L (mm) |
|-------|--------|-------|--------|
| 2 | 10.00 | 14 | 70.00 |
| 3 | 15.00 | 15 | 75.00 |
| 4 | 20.00 | 16 | 80.00 |
| 5 | 25.00 | 17 | 85.00 |
| 6 | 30.00 | 18 | 90.00 |
| 7 | 35.00 | 19 | 95.00 |
| 8 | 40.00 | 20 | 100.00 |
| 9 | 45.00 | 21 | 105.00 |
| 10 | 50.00 | 22 | 110.00 |
| 11 | 55.00 | 23 | 115.00 |
| 12 | 60.00 | 24 | 120.00 |
| 13 | 65.00 | | |

To convert to inches, divide by 25.4

*Mold-to-Length



Mating orientations

Part Numbering System

Series

of Poles

EM5015

□ □

02 to 24

EM5025 Series Euro-Mag Terminal Blocks

Header (Mates with EM5015 Series);
5.00 Centers

SPECIFICATIONS

Rating: 15A, 300V

Center Spacing: .197" (5.00)

Housing Material: Black UL 94V0 Thermoplastic

Contact Material: Tin Plated Brass

Operating Temperature: 120°C (221°F) max., -40°C (-40°F) min.

Recommended PCB Hole Diameters: .059" (1.50)

Construction: Mold to Length

Agency Information: UL/CSA; CE Certified

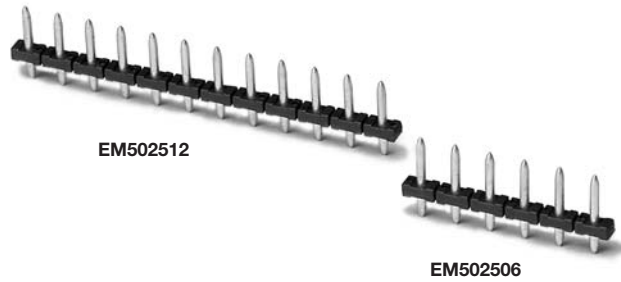
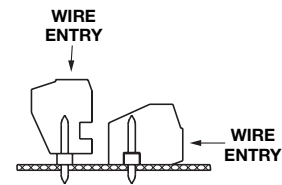
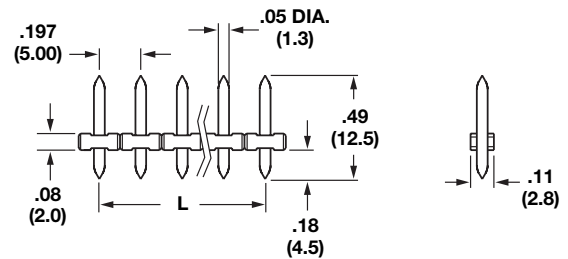


TABLE A

| Poles | L (mm) | Poles | L (mm) |
|-------|--------|-------|--------|
| 2 | 10.00 | 14 | 70.00 |
| 3 | 15.00 | 15 | 75.00 |
| 4 | 20.00 | 16 | 80.00 |
| 5 | 25.00 | 17 | 85.00 |
| 6 | 30.00 | 18 | 90.00 |
| 7 | 35.00 | 19 | 95.00 |
| 8 | 40.00 | 20 | 100.00 |
| 9 | 45.00 | 21 | 105.00 |
| 10 | 50.00 | 22 | 110.00 |
| 11 | 55.00 | 23 | 115.00 |
| 12 | 60.00 | 24 | 120.00 |
| 13 | 65.00 | | |

To convert to inches, divide by 25.4



Mating orientations

Part Numbering System

Series

EM5025

of Poles

□□

02 to 24

EM5035 Series Euro-Mag Terminal Blocks

Pluggable Block, Stackable
(Mates with EM5045 Series) 5.00 Centers

SPECIFICATIONS

Rating: 10A, 300V

Center Spacing: .197" (5.00)

Wire Range: #16-24 AWG

Housing Material: Black UL 94V0 Thermoplastic

Contact Material: Tin Plated Brass

Wire Protector: Phosphor Bronze, Tin Plated

Screw Size: M2.6 Chromatized Steel

Operating Temperature: 105°C (221°F) max., -40°C (-40°F) min.

Torque Rating: 3.0 in-lb.

Construction: Modular design features dove-tails for interlocking to achieve longer lengths

Agency Information: UL/CSA Pending; CE Certified

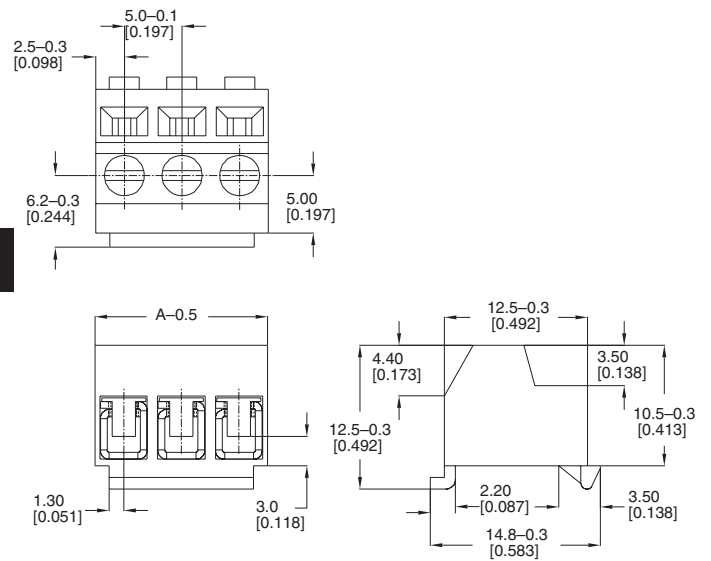
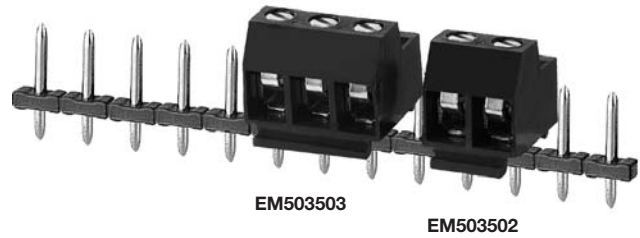


TABLE A

| Poles | L (mm) | Poles | L (mm) |
|-------|--------|-------|--------|
| 2 | 10.00 | 14 | 70.00 |
| 3 | 15.00 | 15 | 75.00 |
| 4 | 20.00 | 16 | 80.00 |
| 5 | 25.00 | 17 | 85.00 |
| 6 | 30.00 | 18 | 90.00 |
| 7 | 35.00 | 19 | 95.00 |
| 8 | 40.00 | 20 | 100.00 |
| 9 | 45.00 | 21 | 105.00 |
| 10 | 50.00 | 22 | 110.00 |
| 11 | 55.00 | 23 | 115.00 |
| 12 | 60.00 | 24 | 120.00 |
| 13 | 65.00 | | |

To convert to inches, divide by 25.4

Part Numbering System

Series

of Poles

EM5035

□□

02 to 24

EM5045 Series Euro-Mag Terminal Blocks

Header (Mates with EM5035 Series);
5.00 Centers

SPECIFICATIONS

Rating: 10A, 300V

Center Spacing: .197" (5.00)

Housing Material: Black UL 94V0 Thermoplastic

Contact Material: Tin Plated Brass

Operating Temperature: 105°C (221°F) max., -40°C (-40°F) min.

Recommended PCB Hole Diameters: .059" (1.50)

Construction: Mold to Length

Agency Information: UL/CSA Pending; CE Certified

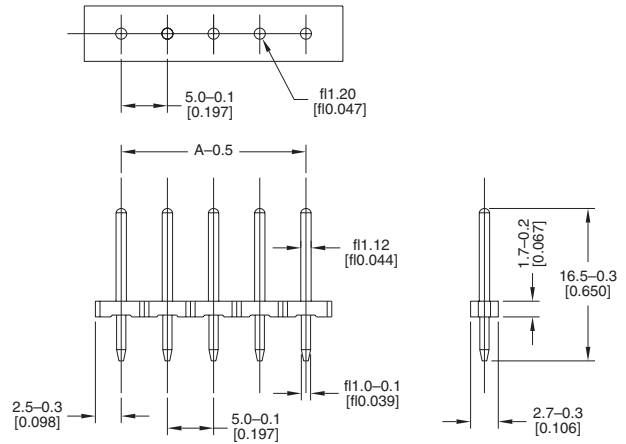


EM504513

TABLE A

| Poles | L (mm) | Poles | L (mm) |
|-------|--------|-------|--------|
| 2 | 5.00 | 14 | 65.00 |
| 3 | 10.00 | 15 | 70.00 |
| 4 | 15.00 | 16 | 75.00 |
| 5 | 20.00 | 17 | 80.00 |
| 6 | 25.00 | 18 | 85.00 |
| 7 | 30.00 | 19 | 90.00 |
| 8 | 35.00 | 20 | 95.00 |
| 9 | 40.00 | 21 | 100.00 |
| 10 | 45.00 | 22 | 105.00 |
| 11 | 50.00 | 23 | 110.00 |
| 12 | 55.00 | 24 | 115.00 |
| 13 | 60.00 | | |

To convert to inches, divide by 25.4



Part Numbering System

Series

EM5045

of Poles

02 to 24

X-ON Electronics

Largest Supplier of Electrical and Electronic Components

Click to view similar products for [Pluggable Terminal Blocks](#) category:

Click to view products by [Eaton](#) manufacturer:

Other Similar products are found below :

[57.404.7553](#) [57.504.0053.7](#) [57.510.0053](#) [57.910.6153](#) [01.112.1453](#) [CTB932VE/6](#) [MC 1.5/ 6-ST-3.5 GY AU](#) [ET02015000J0G](#) [734-104](#) [734-302](#) [734-304](#) [8-141-P](#) [FKCT 2.5/ 3-ST KMGY](#) [860505](#) [860508](#) [860516](#) [860810](#) [861908](#) [GBPACX-12](#) [93.731.4953.0](#) [PV05-5,08-K](#) [PVP02-5,00](#) [PVP04-3,50](#) [PVS02-5,00](#) [1-1986160-3](#) [H-10](#) [ELFH09150](#) [ELFH16150](#) [ELFP03110](#) [ELFT06250](#) [ELFT07250](#) [ELVF09400](#) [ELVP03100](#) [ELXH03100](#) [ELXH071G0E](#) [ELXP041G0](#) [ELXT046G0](#) [1700101](#) [1700410](#) [1700425](#) [1703176](#) [1703243](#) [1705229](#) [1710175](#) [1714537](#) [1717806](#) [1719600](#) [1729386](#) [1734692](#) [1734795](#)