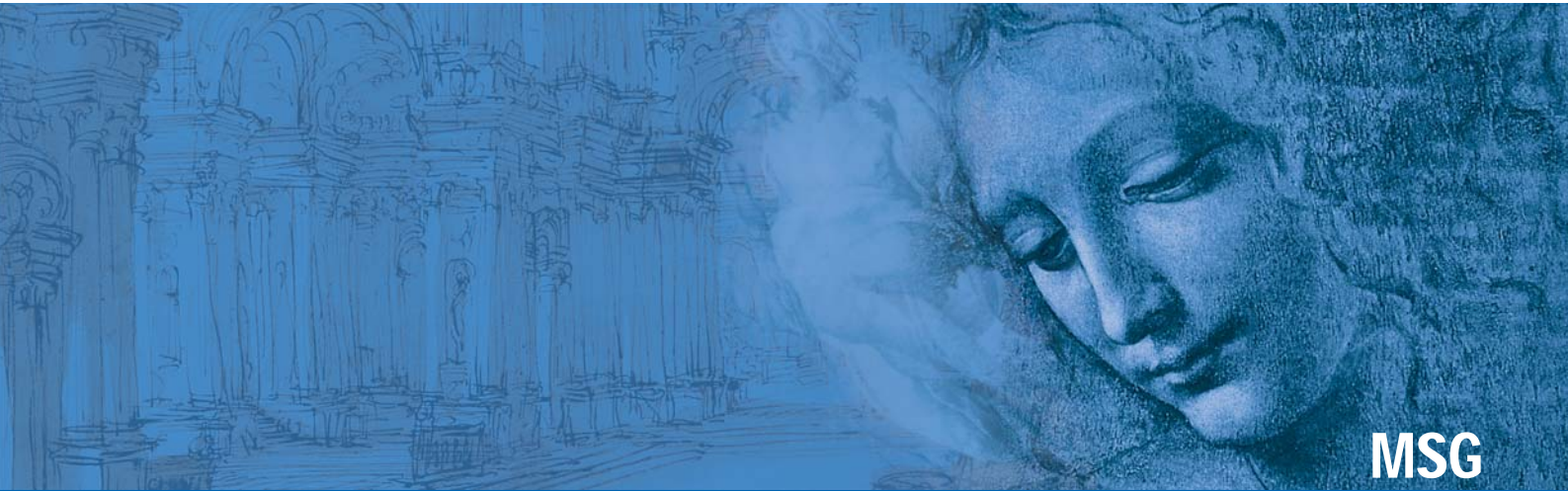




GREEN ELECTRONICS



MSG

Terminal Blocks



ISO
9001



ISO
14001



BS OHSAS
18001:2007



Sauro®

ELECTRONIC CONNECTORS

by the law

Functional characteristics



Dimensional class:
medium



Standard colour:
green



Height:
13.5 mm (.531 in)



Max approved wire sections:
solid: 2.5 mm² (IMQ); 14 AWG (UL)
stranded: 1.5 mm² (IMQ); 14 AWG (UL)

Clamp opening size:
2.5 x 2.2 mm (.098 x .087 in)



Versions:
modular
side stackable



Single mould poles:
from 2 to 25



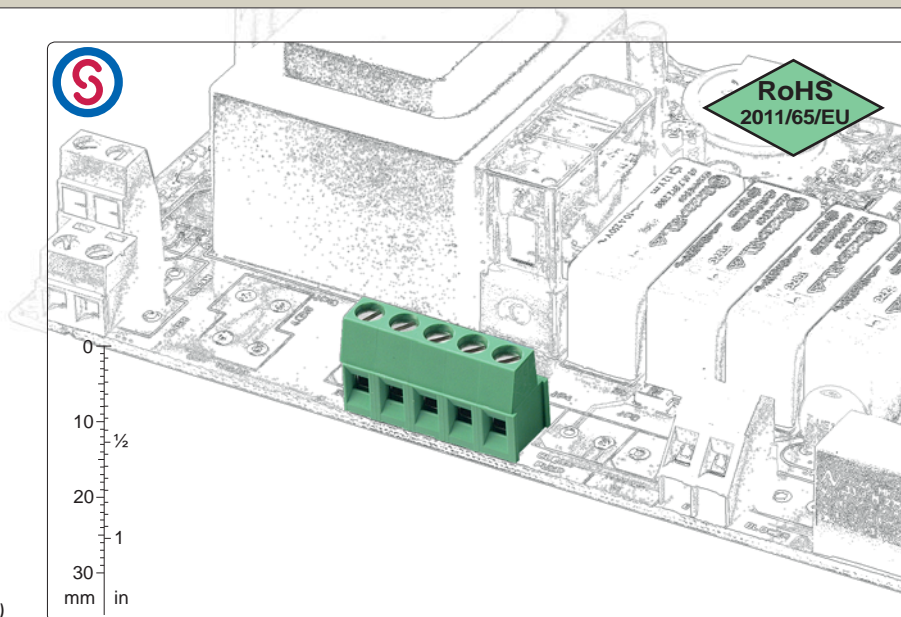
Pitches:
metric 5 mm, 7.5 mm, 10 mm
(.197 in, .295 in, .394 in)



imperial 5.08 mm, 7.62 mm, 10.16 mm
(.200 in, .300 in, .400 in)



Solderable at a temperatures up to
270°C / 518°F



straight, modular



90°, modular



270°, modular



S 270°C
straight, modular



S 270°C
straight,
side stackable



S 270°C
90°, modular



straight version, modular
with integrated polarization system



from 2 to 9 poles
BSC_00_0R
for rising clamp

Brief description

With the **MSG** modular series terminal blocks for PCBs, wires up to 2.5 mm² (12 AWG) can be used and consequently a current range of 24A certified can be reached.

It is available in 5 mm (.197 in), 7.5 mm (.294 in) and 10 mm (.394 in) metric pitches, and in 5.08 mm (.200 in), 7.62 mm (.300 in) and 10.16 mm (.400 in) Imperial pitches, in monolithic blocks from 2 to 25 poles, with insertion of the wire parallel or vertical with respect to the PCB.

All housings are modular, therefore it is possible to compose monolithic terminal blocks from 2 to 25 poles separately, or to combine the basic

terminal blocks until any number of poles is obtained. To get the most out of this particular feature a minimum quantity of basic terminal blocks can be stored.

It is simple to manage the product, its storage and the assembly in Kit packages because several versions can be received with only one code, both the part-numbers and the risk of making mistakes are significantly reduced.

Components features

M3 nickel plated copper alloy screw.

Polyamide housing.

Standard colour: GREEN.

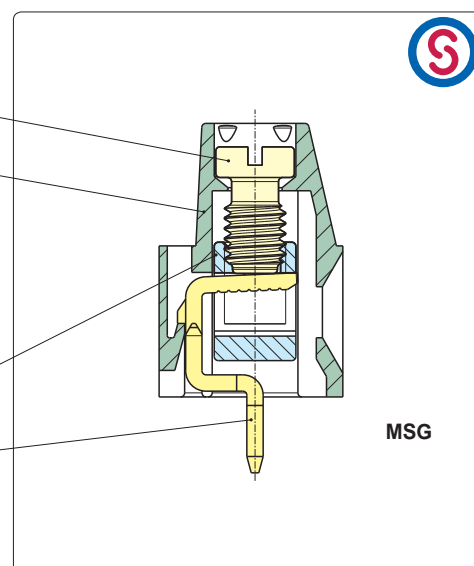
V0 self-extinguishing according to UL 94.

Chlorinated solvent resistant,
with no phosphor, dioxin or
halogens detrimental to health.

Nickel plated copper alloy clamp

Easy to solder lead-free

Tin-plated copper alloy pin.



Mechanical features

Recommended/highest tightening torque	0.5/0.6 Nm (4.42/5.31 lbf-in)
PCB thickness:	max. 2.4 mm (.094 in)
PCB hole diameter:	min. 1.4 mm (.055 in)
Stripping length	5.5 ÷ 6.5 mm (.22 ÷ .26 in)
Operating temperature range	-40 °C ÷ +110 °C (-40 °F ÷ +230 °F)
Climatic category	40/110/21 According to EN 60068-1

Electrical features*

Solid wire section	30÷14 AWG (UL)* 0.05 ÷ 2.5 mm ² (IMQ)*
Stranded wire section	30÷14 AWG (UL)* 0.05 ÷ 1.5 mm ² (IMQ)*
Rated voltage for 5 mm (.197 in) and 5.08 mm (.200 in)	300 V (UL)*
Rated voltage for 7.5 mm (.295 in) and 7.62 mm (.300 in)	750 V (IMQ)*
Rated voltage for 10 mm (.394 in) and 10.16 mm (.400 in)	750 V (IMQ)*
Rated current	24 A (IMQ)*
Contact resistance	<15 mΩ
Insulation resistance	>10 ⁹ Ω (500V DC)

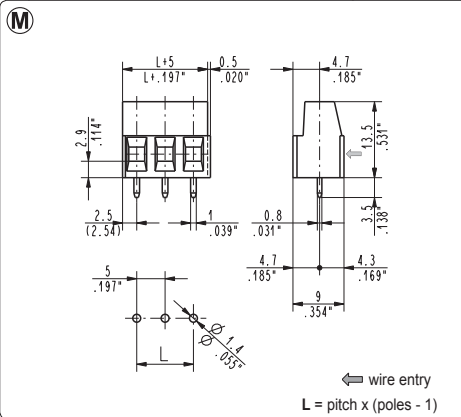
*All the above mentioned data refer to the highest values amongst the certified ones.

V voltage, I current values and tightening torque are related to the norms to be applied to the product and to its use.

Approvals

IEC-EN	IEC:	250 V - T 110 - 24 A - 2.5 mm ² solid (17.5 A - 1.5 mm ² stranded) for 5 mm and 5.08 mm pitch
	EN 60998	750 V - T 110 - 24 A - 2.5 mm ² solid (17.5 A - 1.5 mm ² stranded) for 7.5 mm, 7.62 mm, 10 mm and 10.16 mm pitch
UL	UL:	300 V - 17.5 A (factory wiring), 15A (field wiring) - 30÷14 AWG - 7 lbf-in for 5 mm, 5.08 mm, 7.5 mm and 7.62 mm pitch
	File E167473	600 V - 17.5 A (factory wiring), 15A (field wiring) - 30÷14 AWG - 7 lbf-in for 10 mm and 10.16 mm pitch Application values for end-use equipment have to be in accordance to UL norms and applicable to it.
VDE	VDE:	250 V - 17.5 A - T 110 - 1.5 mm ² for 5 mm and 5.08 mm pitch
	File n. 40022749	750 V - 17.5 A - T 110 - 1.5 mm ² for 7.5 mm and 7.62 mm pitch
		750 V - 17.5 A - T 110 - 1.5 mm ² for 10 mm and 10.16 mm pitch
IMQ	IMQ:	250 V - T 110 - 24 A - 2.5 mm ² solid (17.5 A - 1.5 mm ² stranded) for 5 mm and 5.08 mm pitch
	File: EI056	750 V - T 110 - 24 A - 2.5 mm ² solid (17.5 A - 1.5 mm ² stranded) for 7.5 mm, 7.62 mm, 10 mm and 10.16 mm pitch
CSA	CSA:	300 V - 17.5 A - 30÷13 AWG for 5 mm, 5.08 mm, 7.5 mm and 7.62 mm pitch
	File LR102896	600 V - 17.5 A - 30÷13 AWG for 10 mm and 10.16 mm pitch

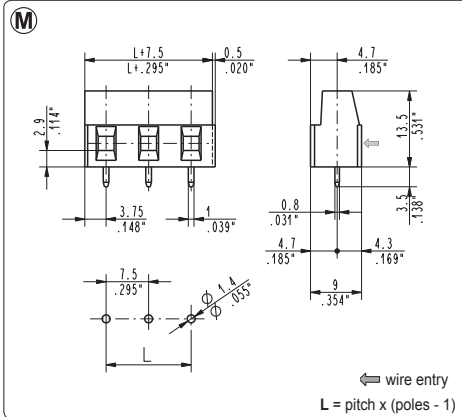
See also "Certifications", page 8



MSG_001 straight, modular

5 mm / .197" pitch

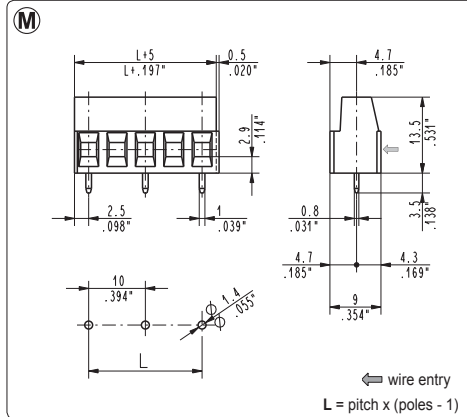
Poles	Code	Pcs/pack.	W [kg]*	Pcs/Ind.**	W [kg]*
02	MSG02001	900	2,25	3000	7,50
03	MSG03001	600	2,25	2000	7,50
04	MSG04001	400	2,00	1250	6,25
05	MSG05001	350	2,19	1250	7,81
06	MSG06001	300	2,25	1000	7,50
07	MSG07001	250	2,19	750	6,56
08	MSG08001	200	2,00	500	5,00
09	MSG09001	175	1,97	500	5,63
10	MSG10001	175	2,19	500	6,25
11	MSG11001	150	2,06	500	6,88
12	MSG12001	150	2,25	500	7,50
13	MSG13001	75	1,22	500	8,13
14	MSG14001	75	1,31	500	8,75
15	MSG15001	75	1,41	250	4,69
16	MSG16001	75	1,50	250	5,00
17	MSG17001	75	1,59	250	5,31
18	MSG18001	75	1,69	250	5,63
19	MSG19001	50	1,19	250	5,94
20	MSG20001	50	1,25	250	6,25
21	MSG21001	50	1,31	250	6,56
22	MSG22001	50	1,38	250	6,88
23	MSG23001	50	1,44	250	7,19
24	MSG24001	50	1,50	250	7,50
25	MSG25001	50	1,56	250	7,81



MSG_003 straight, modular

7.5 mm / .295" pitch

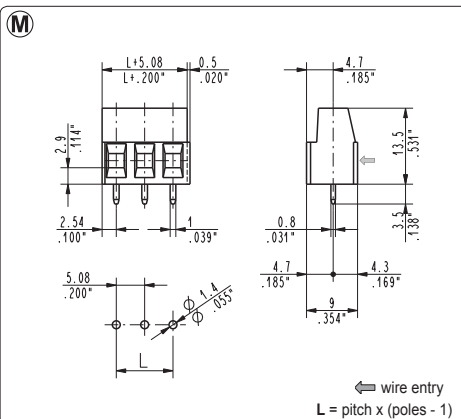
Poles	Code	Pcs/pack.	W [kg]*	Pcs/Ind.**	W [kg]*
02	MSG02003	300	0,87	1750	5,08
03	MSG03003	200	0,87	1500	6,53
04	MSG04003	150	0,87	1250	7,25
05	MSG05003	100	0,73	750	5,44



MSG_002 straight, modular

10 mm / .394" pitch

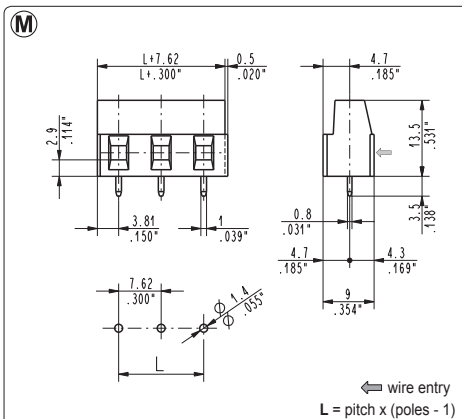
Poles	Code	Pcs/pack.	W [kg]*	Pcs/Ind.**	W [kg]*
01	MSG01002	300	0,44	3000	4,44
02	MSG02002	300	0,89	2000	5,92
03	MSG03002	175	0,78	1000	4,44
04	MSG04002	125	0,74	750	4,44
05	MSG05002	100	0,74	500	3,70
06	MSG06002	75	0,67	500	4,44
07	MSG07002	75	0,78	500	5,18
08	MSG08002	75	0,89	500	5,92
09	MSG09002	75	1,00	250	3,33
10	MSG10002	50	0,74	250	3,70
11	MSG11002	50	0,81	250	4,07
12	MSG12002	50	0,89	250	4,44
13	MSG13002	50	0,96	250	4,81



MSG_005 straight, modular

5.08 mm / .200" pitch

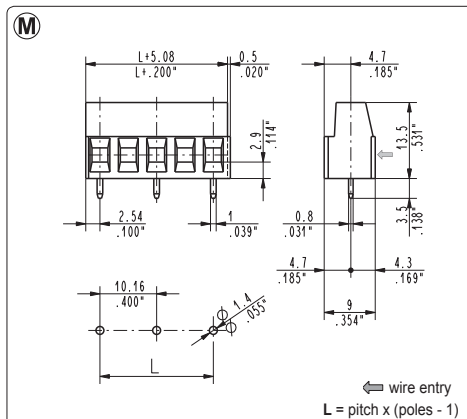
Poles	Code	Pcs/pack.	W [kg]*	Pcs/Ind.**	W [kg]*
02	MSG02005	900	2,25	3000	7,50
03	MSG03005	600	2,25	2000	7,50
04	MSG04005	400	2,00	1250	6,25
05	MSG05005	350	2,19	1250	7,81
06	MSG06005	300	2,25	1000	7,50
07	MSG07005	250	2,19	750	6,56
08	MSG08005	200	2,00	500	5,00
09	MSG09005	175	1,97	500	5,63
10	MSG10005	175	2,19	500	6,25
11	MSG11005	150	2,06	500	6,88
12	MSG12005	150	2,25	500	7,50
13	MSG13005	75	1,22	500	8,13
14	MSG14005	75	1,31	500	8,75
15	MSG15005	75	1,41	250	4,69
16	MSG16005	75	1,50	250	5,00
17	MSG17005	75	1,59	250	5,31
18	MSG18005	75	1,69	250	5,63
19	MSG19005	50	1,19	250	5,94
20	MSG20005	50	1,25	250	6,25
21	MSG21005	50	1,31	250	6,56
22	MSG22005	50	1,38	250	6,88
23	MSG23005	50	1,44	250	7,19
24	MSG24005	50	1,50	250	7,50
25	MSG25005	50	1,56	250	7,81



MSG_007 straight, modular

7.62 mm / .300" pitch

Poles	Code	Pcs/pack.	W [kg]*	Pcs/Ind.**	W [kg]*
02	MSG02007	300	0,87	1750	5,08
03	MSG03007	200	0,87	1500	6,53



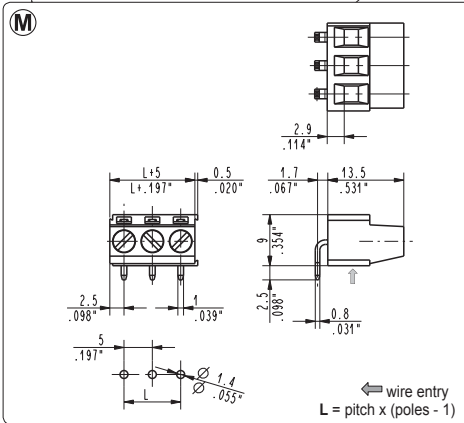
MSG_006 straight, modular

10.16 mm / .400" pitch

Poles	Code	Pcs/pack.	W [kg]*	Pcs/Ind.**	W [kg]*
01	MSG01006	300	0,44	3000	4,44
02	MSG02006	300	0,89	2000	5,92
03	MSG03006	175	0,78	1000	4,44
04	MSG04006	125	0,74	750	4,44
05	MSG05006	100	0,74	500	3,70
06	MSG06006	75	0,67	500	4,44
07	MSG07006	75	0,78	500	5,18
08	MSG08006	75	0,89	500	5,92
09	MSG09006	75	1,00	250	3,33
10	MSG10006	50	0,74	250	3,70
11	MSG11006	50	0,81	250	4,07
12	MSG12006	50	0,89	250	4,44
13	MSG13006	50	0,96	250	4,81

*W [kg]: approximate weight per box in kg

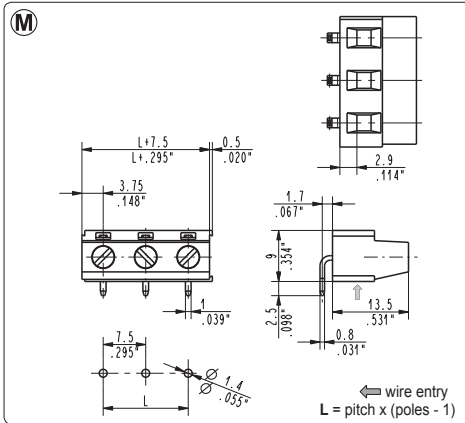
**Industrial packaging: add "-00000E" at standard code



MSG_051 270° bottom entry, modular

5 mm / .197" pitch

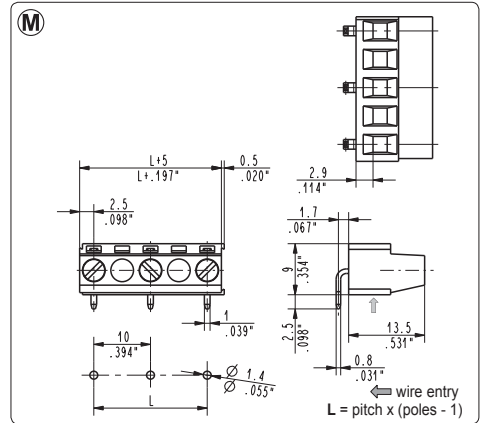
Poles	Code	Pcs/pack.	W [kg]*	Pcs/Ind.**	W [kg]*
02	MSG02051	900	2,38	3000	7,92
03	MSG03051	600	2,38	2000	7,92
04	MSG04051	400	2,11	1250	6,60
05	MSG05051	350	2,31	1250	8,25
06	MSG06051	300	2,38	1000	7,92
07	MSG07051	250	2,31	750	6,93
08	MSG08051	200	2,11	500	5,28
09	MSG09051	175	2,08	500	5,94
10	MSG10051	175	2,31	500	6,60
11	MSG11051	150	2,18	500	7,26
12	MSG12051	150	2,38	500	7,92
13	MSG13051	75	1,29	500	8,58
14	MSG14051	75	1,39	500	9,24
15	MSG15051	75	1,49	250	4,95
16	MSG16051	75	1,58	250	5,28
17	MSG17051	75	1,68	250	5,61
18	MSG18051	75	1,78	250	5,94
19	MSG19051	50	1,25	250	6,27
20	MSG20051	50	1,32	250	6,60
21	MSG21051	50	1,39	250	6,93
22	MSG22051	50	1,45	250	7,26
23	MSG23051	50	1,52	250	7,59
24	MSG24051	50	1,58	250	7,92
25	MSG25051	50	1,65	250	8,25



MSG_053 270° bottom entry, modular

7.5 mm / .295" pitch

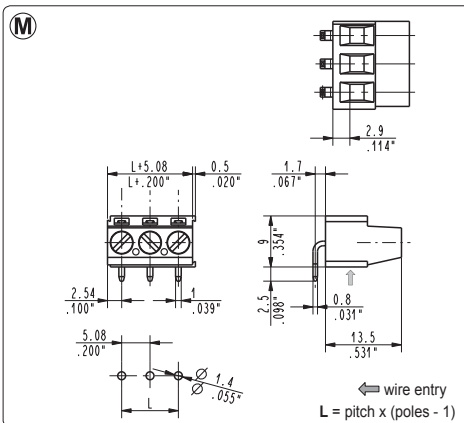
Poles	Code	Pcs/pack.	W [kg]*	Pcs/Ind.**	W [kg]*
02	MSG02053	300	0,90	1750	5,25
03	MSG03053	200	0,90	1500	6,75
04	MSG04053	150	0,90	1250	7,50
05	MSG05053	100	0,75	750	5,63



MSG_052 270° bottom entry, modular

10 mm / .394" pitch

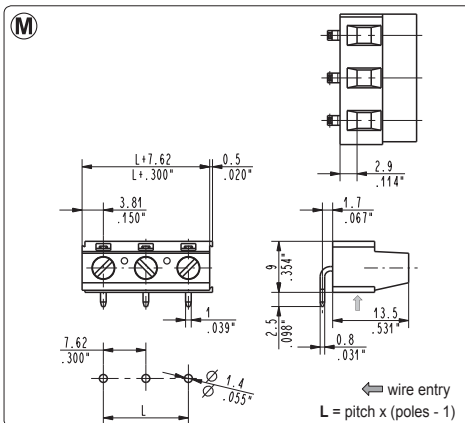
Poles	Code	Pcs/pack.	W [kg]*	Pcs/Ind.**	W [kg]*
01	MSG01052	300	0,46	3000	4,56
02	MSG02052	300	0,91	2000	6,08
03	MSG03052	175	0,80	1000	4,56
04	MSG04052	125	0,76	750	4,56
05	MSG05052	100	0,76	500	3,80
06	MSG06052	75	0,68	500	4,56
07	MSG07052	75	0,80	500	5,32
08	MSG08052	75	0,91	500	6,08
09	MSG09052	75	1,03	250	3,42
10	MSG10052	50	0,76	250	3,80
11	MSG11052	50	0,84	250	4,18
12	MSG12052	50	0,91	250	4,56
13	MSG13052	50	0,99	250	4,94



MSG_055 270° bottom entry, modular

5.08 mm / .200" pitch

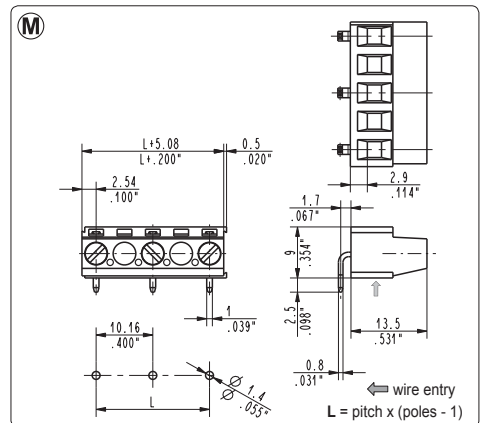
Poles	Code	Pcs/pack.	W [kg]*	Pcs/Ind.**	W [kg]*
02	MSG02055	900	2,38	3000	7,92
03	MSG03055	600	2,38	2000	7,92
04	MSG04055	400	2,11	1250	6,60
05	MSG05055	350	2,31	1250	8,25
06	MSG06055	300	2,38	1000	7,92
07	MSG07055	250	2,31	750	6,93
08	MSG08055	200	2,11	500	5,28
09	MSG09055	175	2,08	500	5,94
10	MSG10055	175	2,31	500	6,60
11	MSG11055	150	2,18	500	7,26
12	MSG12055	150	2,38	500	7,92
13	MSG13055	75	1,29	500	8,58
14	MSG14055	75	1,39	500	9,24
15	MSG15055	75	1,49	250	4,95
16	MSG16055	75	1,58	250	5,28
17	MSG17055	75	1,68	250	5,61
18	MSG18055	75	1,78	250	5,94
19	MSG19055	50	1,25	250	6,27
20	MSG20055	50	1,32	250	6,60
21	MSG21055	50	1,39	250	6,93
22	MSG22055	50	1,45	250	7,26
23	MSG23055	50	1,52	250	7,59
24	MSG24055	50	1,58	250	7,92
25	MSG25055	50	1,65	250	8,25



MSG_057 270° bottom entry, modular

7.62 mm / .300" pitch

Poles	Code	Pcs/pack.	W [kg]*	Pcs/Ind.**	W [kg]*
02	MSG02057	300	0,90	1750	5,25
03	MSG03057	200	0,90	1500	6,75



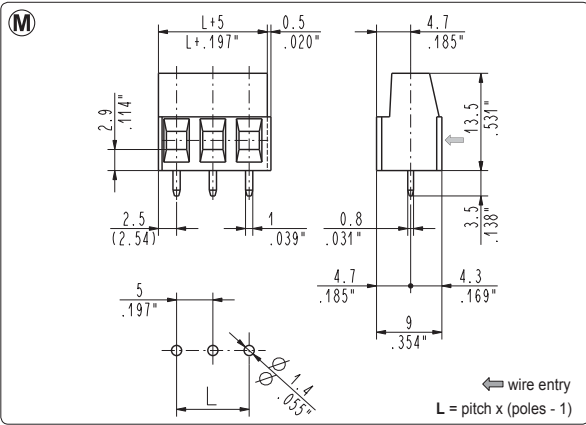
MSG_056 270° bottom entry, modular

10.16 mm / .400" pitch

Poles	Code	Pcs/pack.	W [kg]*	Pcs/Ind.**	W [kg]*
01	MSG01056	300	0,46	3000	4,56
02	MSG02056	300	0,91	2000	6,08
03	MSG03056	175	0,80	1000	4,56
04	MSG04056	125	0,76	750	4,56
05	MSG05056	100	0,76	500	3,80
06	MSG06056	75	0,68	500	4,56
07	MSG07056	75	0,80	500	5,32
08	MSG08056	75	0,91	500	6,08
09	MSG09056	75	1,03	250	3,42
10	MSG10056	50	0,76	250	3,80
11	MSG11056	50	0,84	250	4,18
12	MSG12056	50	0,91	250	4,56
13	MSG13056	50	0,99	250	4,94

*W [kg]: approximate weight per box in kg

**industrial packaging: add "-00000E" at standard code

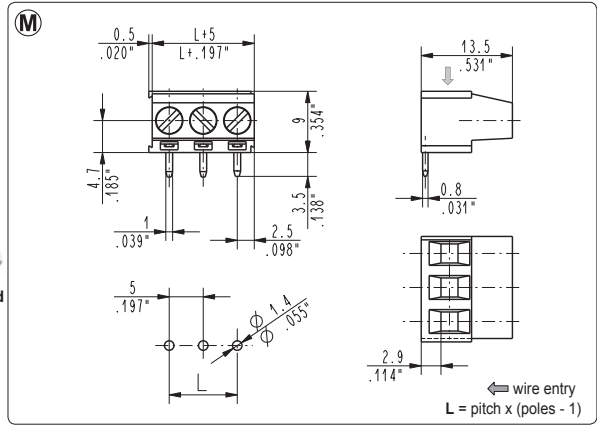


Short Circuited

MSG_001-000C straight, modular, short circuited

5 mm / .197" pitch

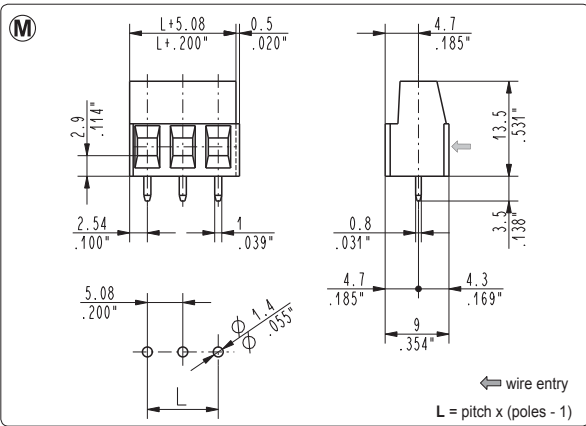
Poles	Code	Pcs/pack.	W [kg]*	Pcs/Ind.**	W [kg]*
02	MSG02001-000C	900	2,25	3000	7,50
03	MSG03001-000C	600	2,25	2000	7,50



MSG_091-000C 90°, modular, short circuited

5 mm / .197" pitch

Poles	Code	Pcs/pack.	W [kg]*	Pcs/Ind.**	W [kg]*
02	MSG02091-000C	900	2,27	3000	7,56
03	MSG03091-000C	600	2,27	2000	7,56

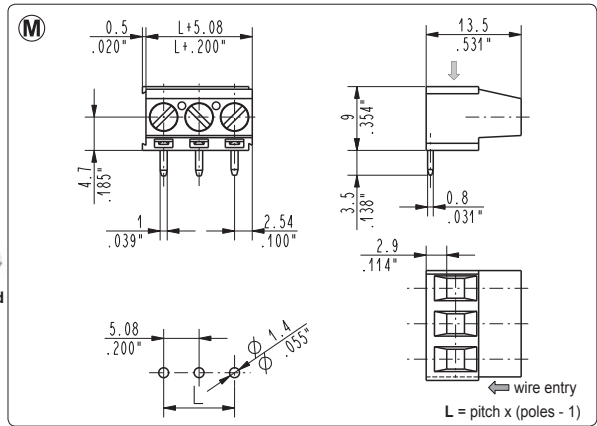


Short Circuited

MSG_005-000C straight, modular, short circuited

5.08 mm / .200" pitch

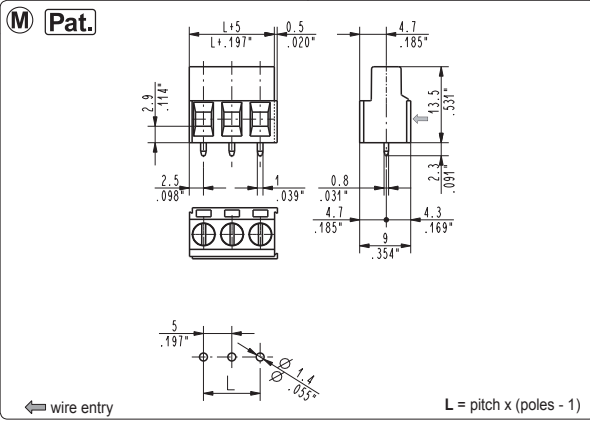
Poles	Code	Pcs/pack.	W [kg]*	Pcs/Ind.**	W [kg]*
02	MSG02005-000C	900	2,25	3000	7,50
03	MSG03005-000C	600	2,25	2000	7,50



MSG_095-000C 90°, modular, short circuited

5.08 mm / .200" pitch

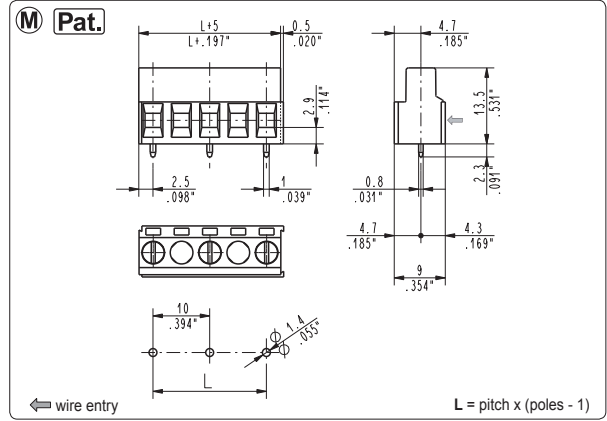
Poles	Code	Pcs/pack.	W [kg]*	Pcs/Ind.**	W [kg]*
02	MSG02095-000C	900	2,27	3000	7,56
03	MSG03095-000C	600	2,27	2000	7,56



MSGH_0M1-0N straight, modular

5 mm / .197" pitch

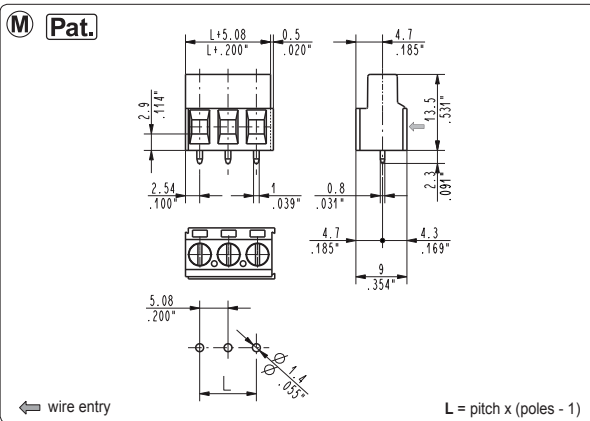
Poles	Code	Pcs/pack.	W [kg]*	Pcs/Ind.**	W [kg]*
02	MSGH020M1-0N	900	2,25	3000	7,50
03	MSGH030M1-0N	600	2,25	2000	7,50
04	MSGH040M1-0N	400	2,00	1250	6,25



MSGH_0M2-0N straight, modular

10 mm / .394" pitch

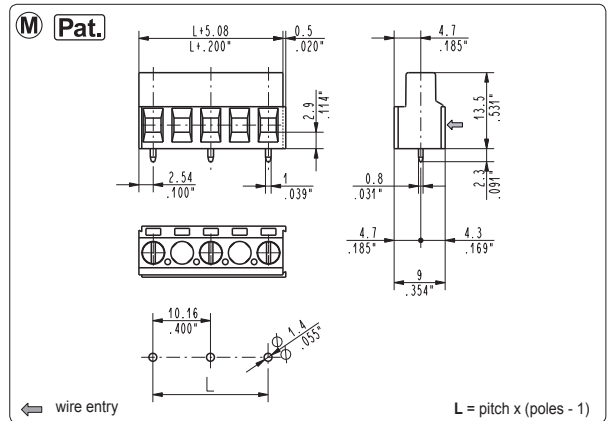
Poles	Code	Pcs/pack.	W [kg]*	Pcs/Ind.**	W [kg]*
01	MSGH010M2-0N	300	0,44	3000	4,44
02	MSGH020M2-0N	300	0,89	2000	5,92



MSGH_0M5-0N straight, modular

5.08 mm / .200" pitch

Poles	Code	Pcs/pack.	W [kg]*	Pcs/Ind.**	W [kg]*
02	MSGH020M5-0N	900	2,25	3000	7,50
03	MSGH030M5-0N	600	2,25	2000	7,50
04	MSGH040M5-0N	400	2,00	1250	6,25



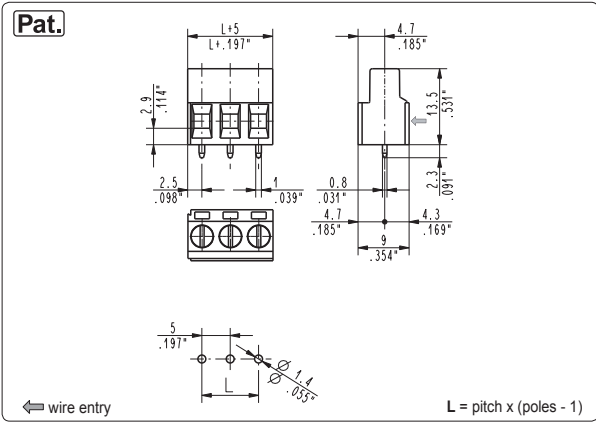
MSGH_0M6-0N straight, modular

10.16 mm / .400" pitch

Poles	Code	Pcs/pack.	W [kg]*	Pcs/Ind.**	W [kg]*
01	MSGH010M6-0N	300	0,44	3000	4,44
02	MSGH020M6-0N	300	0,89	2000	5,92

*W [kg]: approximate weight per box in kg

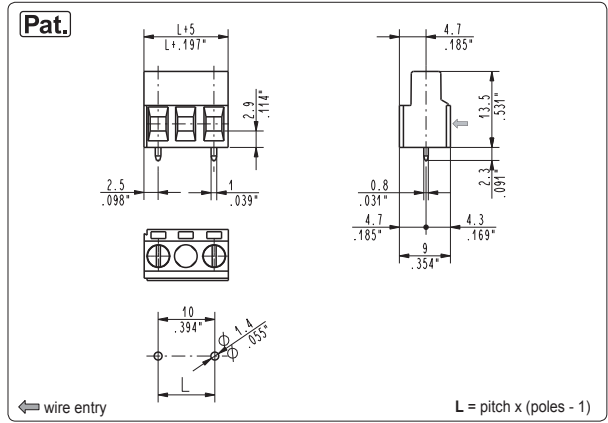
**Industrial packaging: add "-00000E" at standard code



MSGH_0A1-0N straight, side stackable

5 mm / .197" pitch

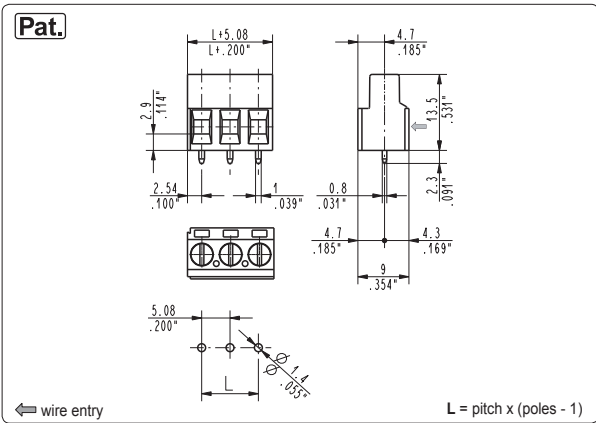
Poles	Code	Pcs/pack.	W [kg]*	Pcs/Ind.**	W [kg]*
02	MSGH020A1-0N	900	2,25	3000	7,50
03	MSGH030A1-0N	600	2,25	2000	7,50
04	MSGH040A1-0N	400	2,00	1250	6,25



MSGH_0A2-0N straight, side stackable

10 mm / .394" pitch

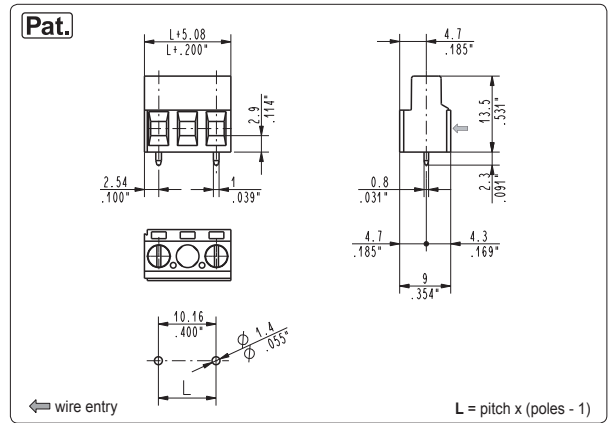
Poles	Code	Pcs/pack.	W [kg]*	Pcs/Ind.**	W [kg]*
01	MSGH010A2-0N	300	0,44	3000	4,44
02	MSGH020A2-0N	300	0,89	2000	5,92



MSGH_0A5-0N straight, side stackable

5.08 mm / .200" pitch

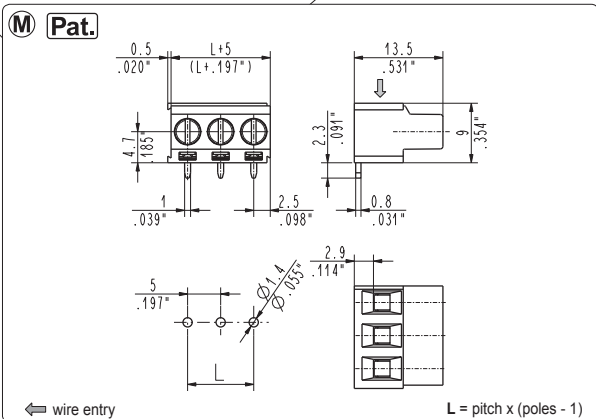
Poles	Code	Pcs/pack.	W [kg]*	Pcs/Ind.**	W [kg]*
02	MSGH020A5-0N	900	2,25	3000	7,50
03	MSGH030A5-0N	600	2,25	2000	7,50
04	MSGH040A5-0N	400	2,00	1250	6,25



MSGH_0A6-0N straight, side stackable

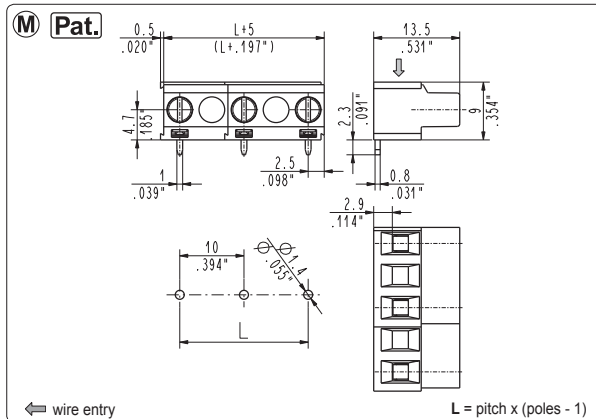
10.16 mm / .400" pitch

Poles	Code	Pcs/pack.	W [kg]*	Pcs/Ind.**	W [kg]*
01	MSGH010A6-0N	300	0,44	3000	4,44
02	MSGH020A6-0N	300	0,89	2000	5,92



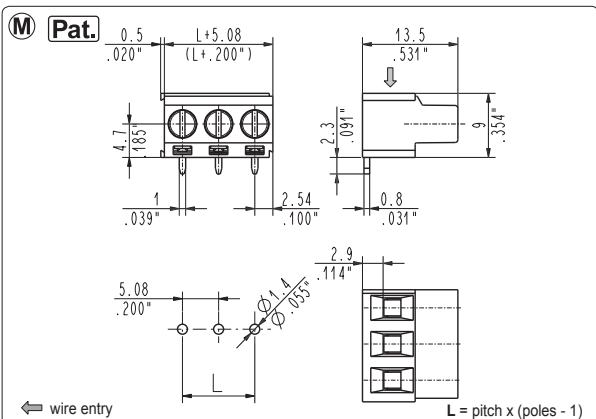
MSGH_9M1-0N 90°, modular

5 mm / .197" pitch					
Poles	Code	Pcs/pack.	W [kg]*	Pcs/Ind.**	W [kg]*
02	MSGH029M1-0N	900	2,38	3000	7,92
03	MSGH039M1-0N	600	2,38	2000	7,92
04	MSGH049M1-0N	400	2,11	1250	6,60



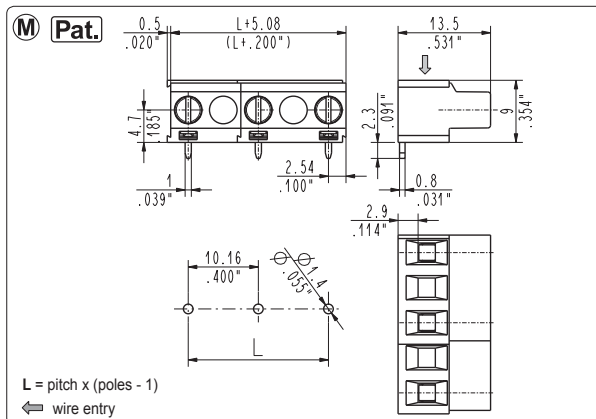
MSGH_9M2-0N 90°, modular

10 mm / .394" pitch					
Poles	Code	Pcs/pack.	W [kg]*	Pcs/Ind.**	W [kg]*
01	MSGH019M2-0N	300	0,46	3000	4,56
02	MSGH029M2-0N	300	0,91	2000	6,08



MSGH_9M5-0N 90°, modular

5.08 mm / .200" pitch					
Poles	Code	Pcs/pack.	W [kg]*	Pcs/Ind.**	W [kg]*
02	MSGH029M5-0N	900	2,38	3000	7,92
03	MSGH039M5-0N	600	2,38	2000	7,92
04	MSGH049M5-0N	400	2,11	1250	6,60

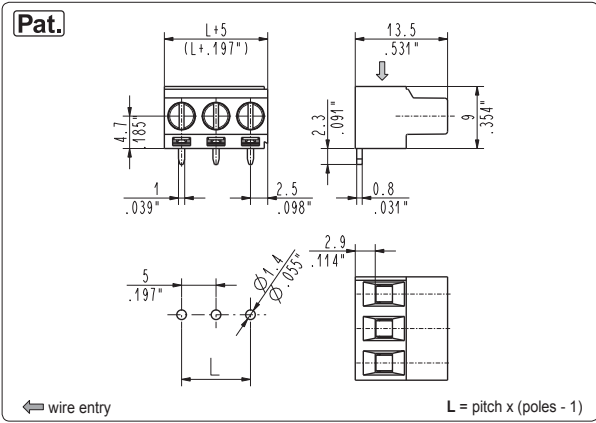


MSGH_9M6-0N 90°, modular

10.16 mm / .400" pitch					
Poles	Code	Pcs/pack.	W [kg]*	Pcs/Ind.**	W [kg]*
01	MSGH019M6-0N	300	0,46	3000	4,56
02	MSGH029M6-0N	300	0,91	2000	6,08

*W [kg]: approximate weight per box in kg

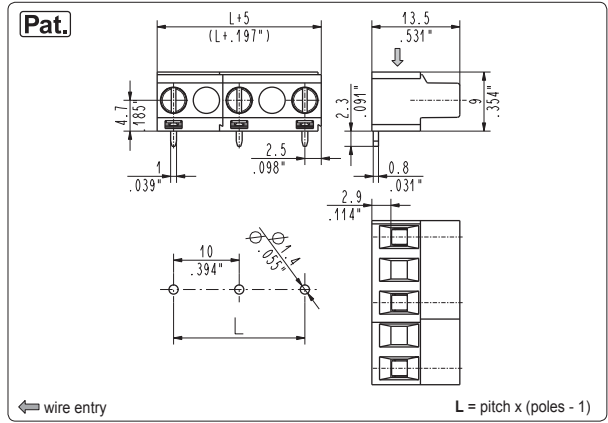
**Industrial packaging: add "-00000E" at standard code



MSGH_9A1-0N 90°, side stackable

5 mm / .197" pitch

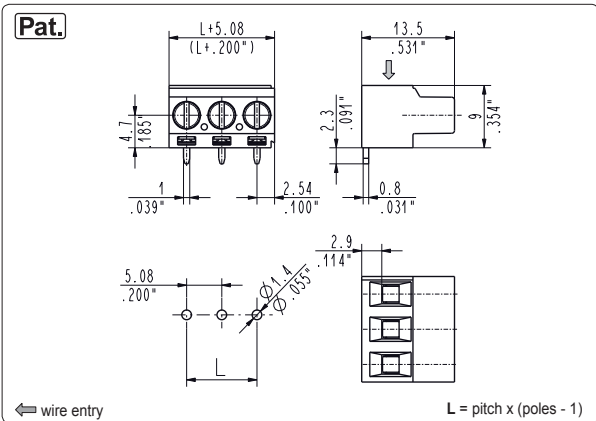
Poles	Code	Pcs/pack.	W [kg]*	Pcs/Ind.**	W [kg]*
02	MSGH029A1-0N	900	2,38	3000	7,92
03	MSGH039A1-0N	600	2,38	2000	7,92
04	MSGH049A1-0N	400	2,11	1250	6,60



MSGH_9A2-0N 90°, side stackable

10 mm / .394" pitch

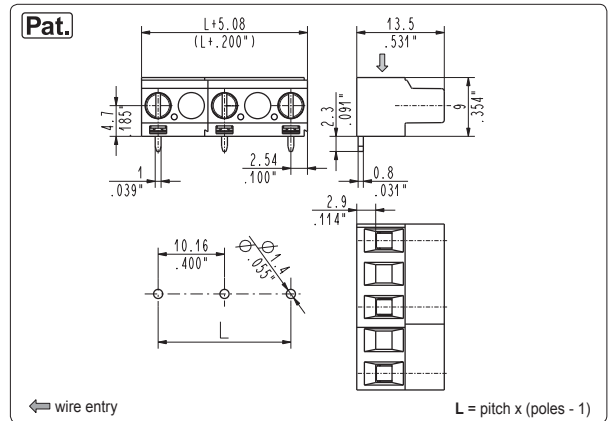
Poles	Code	Pcs/pack.	W [kg]*	Pcs/Ind.**	W [kg]*
01	MSGH019A2-0N	300	0,46	3000	4,56
02	MSGH029A2-0N	300	0,91	2000	6,08



MSGH_9A5-0N 90°, side stackable

5.08 mm / .200" pitch

Poles	Code	Pcs/pack.	W [kg]*	Pcs/Ind.**	W [kg]*
02	MSGH029A5-0N	900	2,38	3000	7,92
03	MSGH039A5-0N	600	2,38	2000	7,92
04	MSGH049A5-0N	400	2,11	1250	6,60



MSGH_9A6-0N 90°, side stackable

10.16 mm / .400" pitch

Poles	Code	Pcs/pack.	W [kg]*	Pcs/Ind.**	W [kg]*
01	MSGH019A6-0N	300	0,46	3000	4,56
02	MSGH029A6-0N	300	0,91	2000	6,08

X-ON Electronics

Largest Supplier of Electrical and Electronic Components

Click to view similar products for [Pluggable Terminal Blocks](#) category:

Click to view products by [Sauro](#) manufacturer:

Other Similar products are found below :

[57.404.7553](#) [57.504.0053.7](#) [57.510.0053](#) [57.910.6153](#) [01.112.1453](#) [CTB932VE/6](#) [MC 1.5/ 6-ST-3.5 GY AU](#) [ET02015000J0G](#) [734-104](#) [734-302](#) [734-304](#) [8-141-P](#) [FKCT 2.5/ 3-ST KMGY](#) [860505](#) [860508](#) [860516](#) [860810](#) [861908](#) [GBPACX-12](#) [93.731.4953.0](#) [PV05-5,08-K](#) [PVP02-5,00](#) [PVP04-3,50](#) [PVS02-5,00](#) [1-1986160-3](#) [H-10](#) [1546228-5](#) [ELFH09150](#) [ELFH16150](#) [ELFP03110](#) [ELFT06250](#) [ELFT07250](#) [ELVF09400](#) [ELVP03100](#) [ELXH03100](#) [ELXH071G0E](#) [ELXP041G0](#) [ELXT046G0](#) [1700101](#) [1700410](#) [1700425](#) [1703176](#) [1703243](#) [1705229](#) [1710175](#) [1714537](#) [1717806](#) [1719600](#) [1728941](#) [1729386](#)