

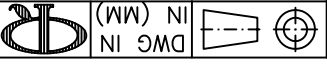
REV	DESCRIPTION	ENGR DATE
A	MSNE-16-01 ADDED	J.L. 2.18.98
B	METRIC SERIES ADDED	J.L. 7.17.98
C	DIM "A" ON METRIC CHART CORRECTED	J.L. 1.27.99
D	UPDATED PRINT AND CHANGED FILE NO.	SM 10.08.01
E	SEE ECN #549 FOR CHANGES	SM 12.20.02

TOLERANCES
UNLESS NOTED
XX=±.010
XXX=±.005
FRAC=1/64
ANG=±1°

FILE # MSNE
MATERIAL: SEE NOTES
RE: RICHCO, INC.

DWN: P.B.
APP:
DT: 04-06-94 DT:
RICHCO INC.
PO BOX 804238, CHICAGO, 60680
(773) 539-4060

PART #
SEE TABLE
PRINT TYPE
CA

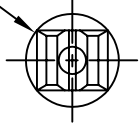


TITLE: STAND-OFF NUT

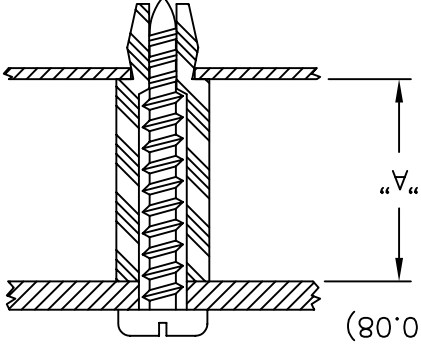
- NOTES:
1. MATERIAL: NYLON 6/6 (RMS-01).
 2. COLOR: NATURAL.
 3. ACCEPTS NO. 4AB SELF TAPPING SCREW.

FLAME RETARDANT NYLON (RMS-19),
AVAILABLE BY SPECIAL ORDER ONLY;

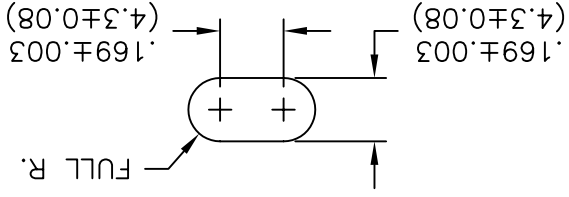
.26 (6.7) DIA REF



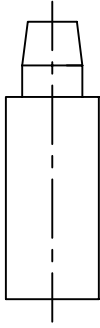
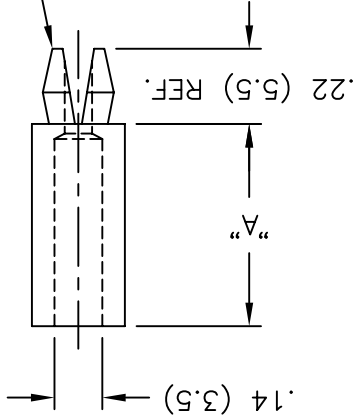
TO FIT IN A .169±.003 (4.3±0.08)
SQUARE HOLE IN A
.063 (1.6) THICK PANEL



TYPICAL ASSEMBLY



OPTIONAL MOUNTING HOLE



PART NO.	"A"
MSNE-2-01	1/8 (3.18)
MSNE-3-01	3/16 (4.8)
MSNE-4-01	1/4 (6.35)
MSNE-5-01	5/16 (7.94)
MSNE-6-01	3/8 (9.5)
MSNE-8-01	1/2 (12.7)
MSNE-10-01	5/8 (15.9)
MSNE-12-01	3/4 (19.1)
MSNE-16-01	1 (25.4)

ENGLISH

PART NO.	"A"±0.4
MSNE-4M-01	4.0
MSNE-6M-01	6.0
MSNE-8M-01	8.0
MSNE-10M-01	10.0
MSNE-12M-01	12.0

METRIC

X-ON Electronics

Largest Supplier of Electrical and Electronic Components

Click to view similar products for [Headers & Wire Housings](#) category:

Click to view products by [Richco](#) manufacturer:

Other Similar products are found below :

[95000-104TRLF](#) [10135584-644402LF](#) [DF62W-EP2022PCA](#) [95000-106TRLF](#) [DF62W-2022SCA](#) [DF62W-EP2022PC](#) [2203348](#) [DF62W-2022SC](#) [1084018](#) [1029039](#) [1084017](#) [802-10-012-10-002000](#) [1112640](#) [1112639](#) [000-34000](#) [0009482033](#) [0009507031](#) [57102-S06-03LF](#) [57202-S52-04LF](#) [PCN6-15S-2.5E](#) [0039019024](#) [58102-G61-06LF](#) [582553-1](#) [0009485154](#) [0009508121](#) [0022285053](#) [0050291907](#) [018731A](#) [LY20-4P-DT1-P1E-BR](#) [02.125.8002.8](#) [60101931](#) [60598-1 \(Cut Strip\)](#) [M1625-3R/100](#) [61062-3](#) [61082-181009](#) [636-1427](#) [638009-1](#) [641938-9](#) [641991-4](#) [644168-1](#) [647662-1](#) [65039-019ELF](#) [65781-047](#) [65817-002LF](#) [65817-015LF](#) [65863-015LF](#) [66207-023LF](#) [67016-026LF](#) [67046-001LF](#) [67095-007LF](#)