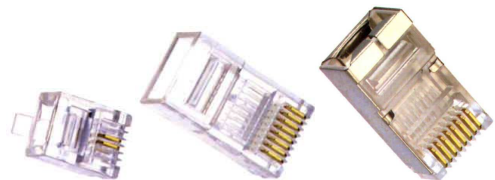


# MODULAR PLUG

## EMP SERIES

### FEATURES

- Available for round and flat-oval cable.
- Plug are available for solid wire 24-26 AWG.
- Available for non-shielded and shielded configurations to avoid EMI/RFI
- Deliver speeds up to 100 MHz.



### PART NUMBERING SYSTEM

EMP	8	8	1	E	R	2	0	1	0	0	XX	
												+----- Special Number:
												+----- Wire Diameter:
												0:Standard 1.0mm,
												1:0.9mm, 2:0.8mm, 3:0.7mm
												+----- Type:
												0:Standard, 1:Insert Type
												+----- Appearance:
												0:Standard, 1:Shielded
												+----- Dimensions:
												0:Standard, S:Short Body, L:Long Body
												+----- Material:
												0:94-V0, 2:94-V2
												+----- Cable Application:
												R:For Round Cable Type
												F:For Flat-Oval Cable Type
												+----- Selective Gold Plating Thickness:
												A:3μ" B:6μ" C:15μ" D:30μ" E:50μ"
												+----- Contact Blade Specifications:
												1:For stranded wire
												2:2 prongs contacts
												3:3 prongs contacts
												+----- Number of Contacts: 2,3,4,5,6,7,8,9,A:10
												+----- Number of Positions: 4,6,8,A:10
												+----- Series Name: EMP

### SPECIFICATIONS

#### ● Electric test

- 150 VAC Max., at 1.5 Amps.
- Dielectric with standing 500 VAC.
- Insulation Resistance: 500 M $\Omega$ .
- Termination Resistance: 35 m $\Omega$ .

#### ● Mechanical:

- Cable-to-plug tensile strength-20LBs(89N) Min..
- Durability: 500 mating cycles.

#### ● Material and Finished:

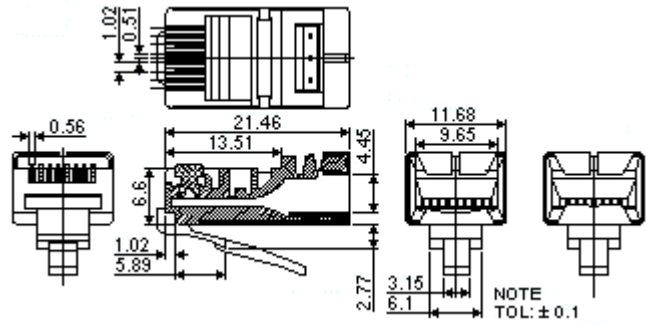
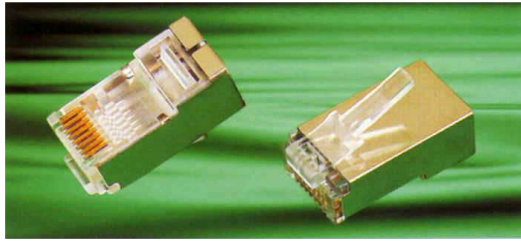
- Housing: Polycarbonate, UL94-V0  
UL94-V2
- Contact: Phosphor bronze, selective gold plated in contact area over 100 $\mu$ " nickel plated.
- Shield: Nickel plated, brass.

#### ● Operating Temperature:

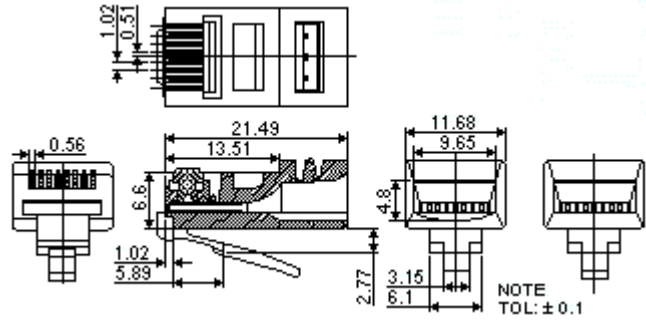
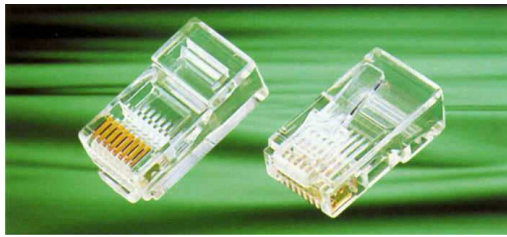
-40 $^{\circ}$ C ~ +125 $^{\circ}$ C

# DIMENSIONS

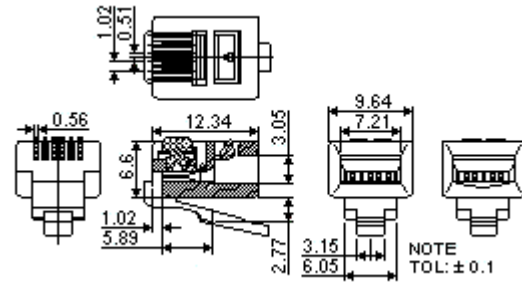
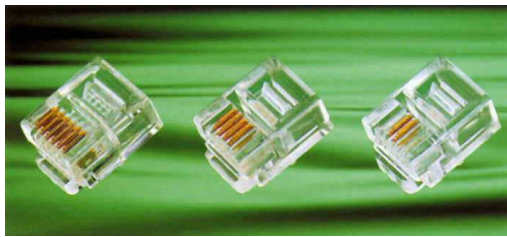
## ● EMP 8 POSITION SHIELDED



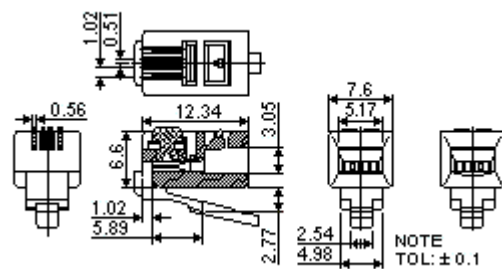
## ● EMP 8 POSITION [8P8C,8P6C,8P4C] .....



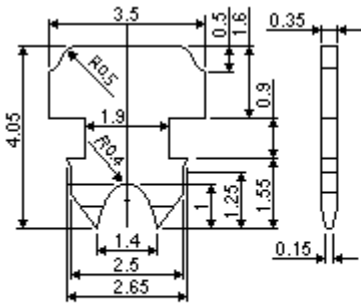
## ● EMP 6 POSITION [6P6C,6P4C,6P2C] .....



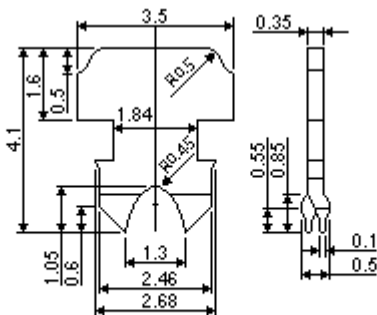
## ● EMP 4 POSITION [4P4C,4P2C] .....



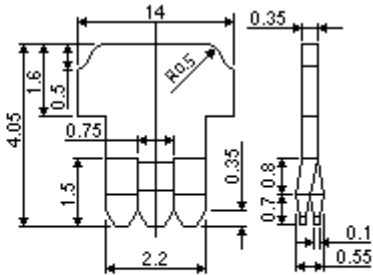
# CONTACT BLADE



FOR STRANDED WIRE



FOR SOLID WIRE  
2 PRONGS CONTACTS



FOR SOLID WIRE  
3 PRONGS CONTACTS

## X-ON Electronics

Largest Supplier of Electrical and Electronic Components

*Click to view similar products for [Modular Connectors](#) / [Ethernet Connectors](#) category:*

*Click to view products by [ECC manufacturer](#):*

Other Similar products are found below :

[RJE231881317T](#) [MP1010RX-1000](#) [MP44RX-1000](#) [GAX-3-66](#) [GAX-8-62](#) [93606-0253](#) [GD-A-44](#) [GDCX-PA-66-50](#) [GDCX-PN-64](#) [GDCX-PN-66](#) [GDCX-PN-66-50](#) [GDLX-A-66](#) [GDLX-A-88](#) [GDLX-N-66](#) [GDLX-S-88K](#) [GDTX-S-88-50](#) [GDX-PA-1010](#) [GLX-N-1010M-BLK](#) [GLX-N-44M](#) [GLX-S-88M-BLK](#) [GMX-N-1010](#) [GMX-S-1010](#) [GMX-S-66](#) [GMX-SMT2-N-1010](#) [GMX-SMT2-N-64-50](#) [GMX-SMT2-S6-88](#) [GMX-SMT4-N-88](#) [GPX-2-64](#) [GRT1-BT1-5](#) [GSGX-N-2-88](#) [GSX-NS2-88-3.05](#) [GSX-NS2-88-3.05-50](#) [GSX-NS-88-3.05-30](#) [GSX-NS-88-3.05-50](#) [GSX-NS-88-3.68](#) [1-1775629-2](#) [GWLX-S-88-GR](#) [GWLX-S9-88-YG](#) [1300500326](#) [1300500227](#) [1300530003](#) [1300570002](#) [1324640-4](#) [RJ11FTVC2G](#) [RJ11FTVC2N](#) [RJFTVX2SA1G](#) [132764-001](#) [1400000](#) [1413176](#) [1413235](#)