

# Adaptor-5V1A SPECIFICATION

## Adapter Specification Sheet



**4D SYSTEMS**  
*TURNING TECHNOLOGY INTO ART*

<b>PRODUCT</b>	ADAPTOR-5V1A	BASED ON THE STANDARD OF CE FCC UL KCC SAA C-TICK ROHS	
<b>INPUT</b>	AC:100-240V DC: 5V1A		
<b>ADAPTERS</b>			
<b>VER</b>	A1		
<b>DATE</b>	11/04/2014		

<b>YHY</b>	DESCRIPTION	SWITCHING POWER	SHEET NO.	
	<b>ADAPTERS</b>		VER:	A1
			PART NO.	
1.INPUT REQUIREMENT				
2.OUTPUT SPECIFICATION				
3.MECHANICAL				
4.RELIABILITY				
5.ENVIRONMENT				
6.OUTLOOKING				
7.SAFETY				
8. QC CHECK				
9. Production of appearance drawing				
10. Label				
11.circuit drawing				
12.Packing				

<b>YHY</b>	<b>DESCRIPTION</b>	<b>SWITCHING POWER</b>	<b>SHEET NO</b>	
			<b>VER:</b>	<b>A1</b>
	<b>ADAPTERS</b>		<b>PART NO.</b>	

1.INPUT REQUIREMENT				
ITEM	SPECIFICATION	MIN	TYP.	MAX
NORMAL AC INPUT VOLTAGE	SINGLE PHASE	100Vac	100Vac/ 240Vac	240Vac
AC INPUT VOLTAGE RANGE	SINGLE PHASE	90Vac	100Vac/ 240Vac	264Vac
AC INPUT FREQUENCY	SINGLE PHASE	47Hz	50/60Hz	63Hz
AC INPUT CURRENT	TYPICAL INPUT VOLTAGE& OUTPUT AT FULL LOAD.			800mA
AC INRUSH CURRENT	TYPICAL INPUT VOLTAGE& OUTPUT AT FULL LOAD , 25°C.			20A
EFFICIENCY	TYPICAL INPUT VOLTAGE& OUTPUT AT FULL LOAD	80%		
2.OUTPUT SPECIFICATION				
ITEM	SPECIFICATION	MIN	TYP.	MAX
NORMAL DC OUTPUT VOLTAGE			5Vdc	
DC OUTPUT VOLTAGE RANGE	TYPICAL OUTPUT VOLTAGE ±5%	4.75V		5.25V
LOAD CURRENT RANGE		0A		1A
PEAK LOAD CURRENT	TIME<60S			1.5A
RIPPLE	TYPICAL INPUT VOLTAGE , TYPICAL LOAD CURRENT , 25°C			50mV
HOLD-UP TIME	AT TYPICAL INPUT VOLTAGE AND FULL LOAD	10mS		
TURN-ON DELAY	TYPICAL INPUT VOLTAGE AND TYPICAL LOAD CURRENT			3S
OVER CURRENT PROTECTION	AUTO RECOVERY			1.5A


SHORT CIRCUIT PROTECTRON	THE ADAPTER SHALL NOT DAMAGE BY SHORT THE DC OUTPUT TO GROUND			
OVER VOLTAGE PROTECTION				8V
<b>TEST MEASURES:</b>				
C1: 0.1uF CERAMICS CAPACITOR				
C2: 10uF 50V ALUMINUM CAPACITOR				

<b>YHY</b>	<b>DESCRIPTION</b>	<b>SWITCHING POWER</b>	<b>SHEET NO</b>	
			<b>VER:</b>	<b>A1</b>
	<b>ADAPTERS</b>		<b>PART NO.</b>	

3.MECHANICAL				
ITEM	SPECIFICATION OR TEST CONDITION	ACCEPTANCE CRITERIA		
<b>BENDING TEST</b>	NORMAL TEMPERATURE	NO SHORT CIRCUIT		
	THE CORD SHALL WITHSTAND WEIGHT OF 200g, SWINGING FROM	NO BREAKAGE OF THE CORD		
	LEFT TO RIGHT AT AN ANGLE OF 60 DEG. 1000CYCLE TIMES MIN.			
	S/R SHALL WITHSTAND WEIGHT OF 1N. SWINGING FROM LEFT TO			
	RIGHT AT AN ANGLE OF 60DEG. 1000CYCLE TIMES MIN.			
	BENDING SPEED 40CYCLE/MINUTE			
<b>VIBRATION</b>	FREQUENCY RANGE:10~55Hz	THERE SHALL BE NO ABNORMALITY ON THE APPEARANCE STRUCTURE AND OPERATING		
	AMPLITUDE:1.5mm			
	ACCELERATION: 1G			
	SWEEP 1 MINUTE FOR X,Y,Z,AXIS EACH			
4.RELIABILITY				
ITEM	TEST CONDITION	ACCEPTANCE CRITERIA		

TEMPERATURE UP WITH	TEST AT SURFACE OF THE CASE WITH TYPICAL	TEMPERATURE UP UNDER		
TYPICAL LOAD	AC INPUT AND TYPICAL LOAD IN OUTPUT	35 DEGREES		
	50/60Hz			
HI-POT TEST	BETWEEN INPUT&OUTPUT 3000Vac 60 SECONDS 10mA	NO DAMAGE		
	IT IS BASE ON EN60950 5.2.2 TEST PROCEDURE.			
	FOR MASS PRODUCTION, IT IS TESTED BY 3.3KV/1 SECOND.			
INSULATION RESISTANCE	INPUT TO OUTPUT,DC 500V	>100MΩ		
MTBF	TYPICAL INPUT&FULL LOAD , 25°C	50000 HOURS		
LIFE	TYPICAL INPUT&FULL LOAD, 40°C	1YEARS ABOVE		
	TYPICAL INPUT&FULL LOAD, 25°C	2YEARS ABOVE		
BURN-IN	AT 30°C(±10°C),NORMAL INPUT VOLTAGE	2~4 HOURS		
<b>5.ENVIRONMENT</b>				
ITEM	SPECIFICATION OR TEST CONDITION	min.	typ.	max.
OPERATING TEMPERATURE		0°C		40°C
STORAGE TEMPERATURE		-20°C		85°C
OPERATING HUMILITY	NON-CONDENSING	5%RH		90%RH
STORAGE HUMILITY	NON-CONDENSING	5%RH		90%RH

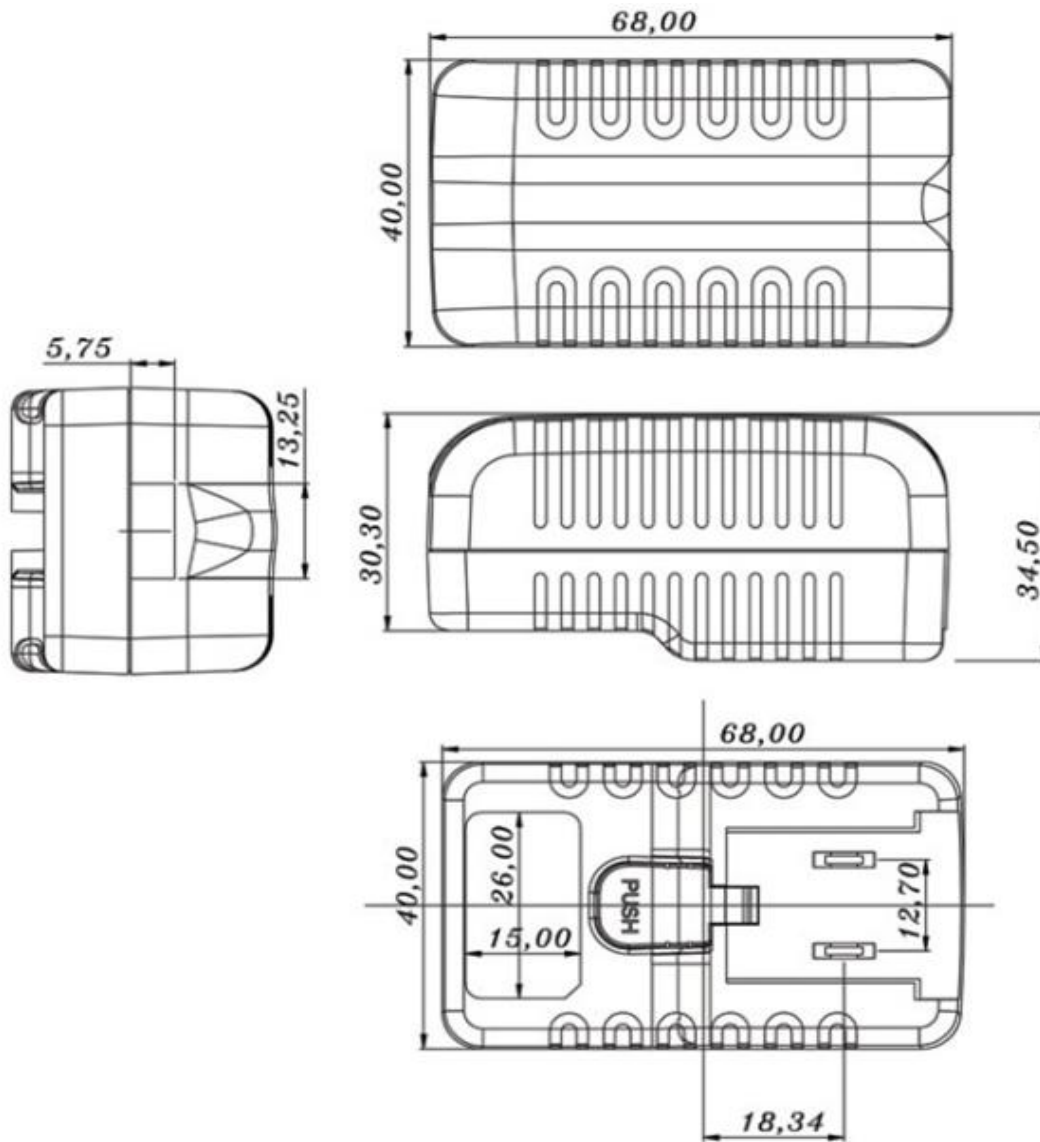
<b>YHY</b>	<b>DESCRIPTION</b>	<b>SWITCHING</b>	<b>SHEET NO</b>	
		<b>POWER</b>	<b>VER:</b>	<b>A1</b>
	<b>ADAPTERS</b>		<b>PART NO.</b>	

<b>6.OUTLOOKING</b>				
<b>DIMENSION</b>	68(L)X40(W)X35(H)mm			
<b>WEIGHT</b>	ABOUT 130g			
<b>DC OUTPUT TYPE</b>				2.35*0.7mm
<b>DC OUTPUT CABLE</b>	DC1.5M			
<b>INDICATION</b>	LABEL			
<b>CASE MATERIAL</b>				
<b>PCB MATERIAL</b>	C-5W			
<b>7.SAFETY</b>				
<b>COMPLY SAFETY STANDARDS</b>	<b>STANDARD</b>	<b>FILE NO.</b>		
<b>EMI</b>				
<b>8.QC CHECK</b>				
ALL OF THE QUANTITY SHALL BE CHECKED BEFORE SHIPMENT,CHECK ITEM AS BELOW:				
(1)DC PLUG POLE CHECK	Miss Liu			
(2)OCP FUNCTION CHECK	Mr. Lai			
(3)DCOUTPUT VOLTAGE CHECK	Miss Lee			
(4)HIPOT&INSULATION CHECK	Mr. Chen			
(5)OUTLOOKING CHECK	Miss Lee			

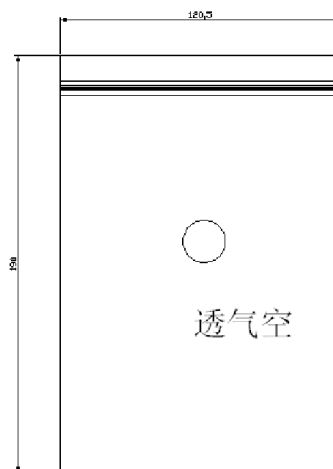
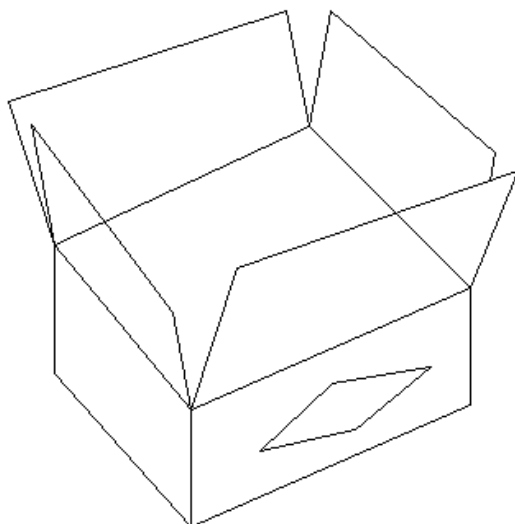
<b>YHY</b>	<b>DESCRIPTION</b>	<b>SWITCHING</b>	<b>SHEET NO</b>	
		<b>POWER</b>	<b>VER:</b>	<b>A1</b>
	<b>ADAPTERS</b>		<b>PART NO.</b>	

## 9. Production of appearance drawing





12: packing



2. plastic bag



1. BOX

Packaging:

Outside box : L 46\*W41\*H24.5

bag:L190\*W120

Quantity:50PCS/CTN

APPROVED BY:

CHECKED BY :

ISSUE BY:

## X-ON Electronics

Largest Supplier of Electrical and Electronic Components

*Click to view similar products for [Sockets & Adapters](#) category:*

*Click to view products by [4D Systems](#) manufacturer:*

Other Similar products are found below :

[6508-0-00-01-00-00-33-0](#) [AC164348](#) [1262](#) [22827](#) [AC164353](#) [TDGL015](#) [SA247](#) [SM64TQ-ACTEL-1](#) [70-0036](#) [8.06.03](#) [DS91230+](#) [SMPA-ISP-ACTEL-3-KIT](#) [16017](#) [LFVDBGF](#) [KIT 70601-3](#) [SM132CQ-ACTEL](#) [R0E000010ACB20](#) [IPC0181](#) [IPC0175](#) [IPC0165](#) [AC164397](#) [conga-Thin MITX/eDP to DP Adapter](#) [SLG46536V-SKT](#) [SLG46621V-SKT](#) [SLG46538V-SKT](#) [SLG46535V-SKT](#) [SLG46722V-SKT](#) [ML-ADP-EVN](#) [TOOLSTICK990MPP](#) [110-83-320-41-605101](#) [110-83-632-41-605101](#) [110-83-640-41-605101](#) [110-83-628-41-605101](#) [116-83-306-41-001101](#) [PA0003](#) [PA0007](#) [PA0009](#) [PA0035](#) [PA0085](#) [PA0096](#) [IPC0079](#) [ATARD-DBGADPT](#) [80-000286](#) [ATSTK600-RC88](#) [ATSTK600-SC06](#) [ATSTK600-RC78](#) [SPC560PADPT64S](#) [AC164345](#) [AC164342](#) [AC164038](#)