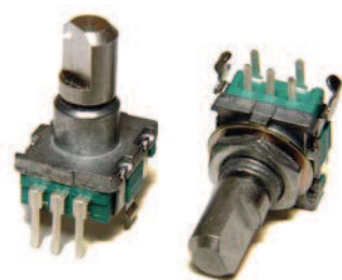


Model EN11
11mm Rotary Encoder
2 Bits Gray Code
Incremental/Contacting Type
Metal Bushing/Shaft
Push-on Switch Option
RoHS Compliant



MODEL STYLES

| | |
|---|----------|
| Top Adjust, with Switch, Threaded Bushing | EN11-HSM |
| Top Adjust, without Switch, Threaded Bushing | EN11-HNM |
| Top Adjust, with Switch, Plain Bushing | EN11-HSB |
| Top Adjust, without Switch, Plain Bushing | EN11-HNB |
| Side Adjust, with Switch, Threaded Bushing | EN11-VSM |
| Side Adjust, without Switch, Threaded Bushing | EN11-VNM |
| Side Adjust, with Switch, Plain Bushing | EN11-VSB |
| Side Adjust, without Switch, Plain Bushing | EN11-VNB |

ELECTRICAL¹

| | |
|-----------------------------------|--------------------------|
| Pulses (Per Revolution) | 15, 20 |
| Encoder Closed Circuit Resistance | 3 Ohms, max. |
| Encoder Contact Rating | 10mA/ 5Vdc |
| Operating Current, Maximum | 10mA |
| Dielectric Strength | 300Vac/1mA, 1 minute |
| Insulation Resistance, Minimum | 100M ohms at 250Vdc/ 1mA |
| Sliding Noise (at 60 RPM) | 2.0ms max. |
| Contact Bounce (at 15 RPM) | 5.0ms max. |
| Operating Speed (RPM) | 100 RPM max. |
| Switch Power rating | 10mA/ 5Vdc |
| Switch Contact Resistance | 100 milliohms |
| Actual Electrical Travel, Nominal | Continuous |

MECHANICAL

| | |
|--------------------------------------|--------------|
| Total Mechanical Travel | Continuous |
| Detents (per Revolution) | 0, 20 and 30 |
| Rotational Torque of Detent, Maximum | 2.5 oz-in |
| Switch Operating Force | 550 gf |
| Switch Travel | 0.5mm |

¹ Specifications subject to change without notice.

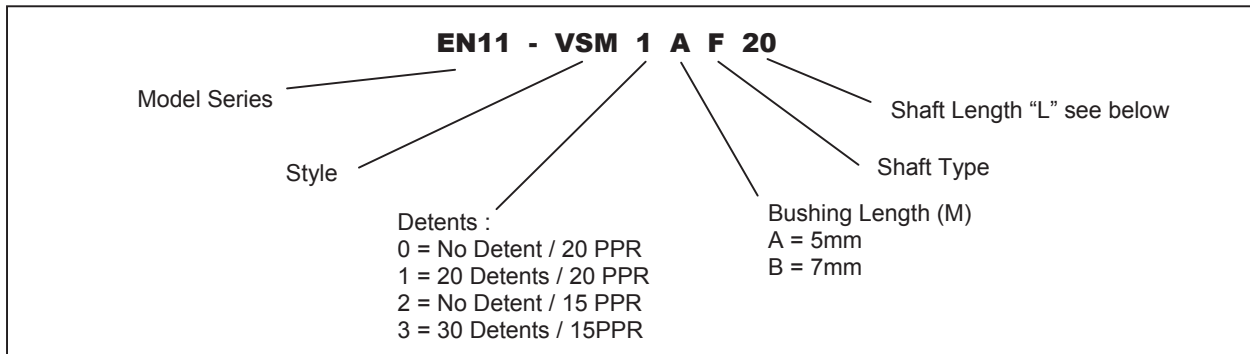
Model EN11

ENVIRONMENTAL

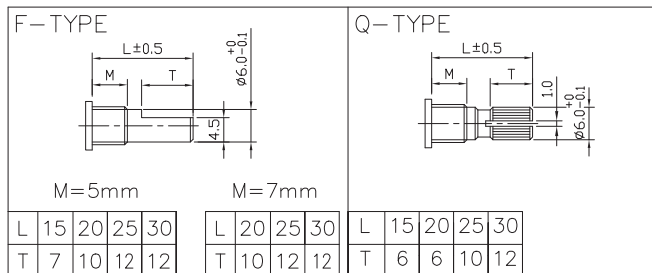
Rotational Life

30,000 cycles

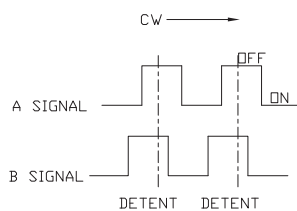
ORDERING INFORMATION²



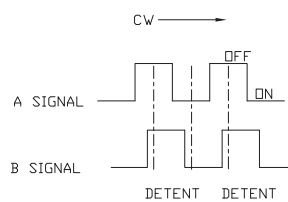
Shaft Types



CIRCUIT DIAGRAM



For 20 PPR (B leads A)



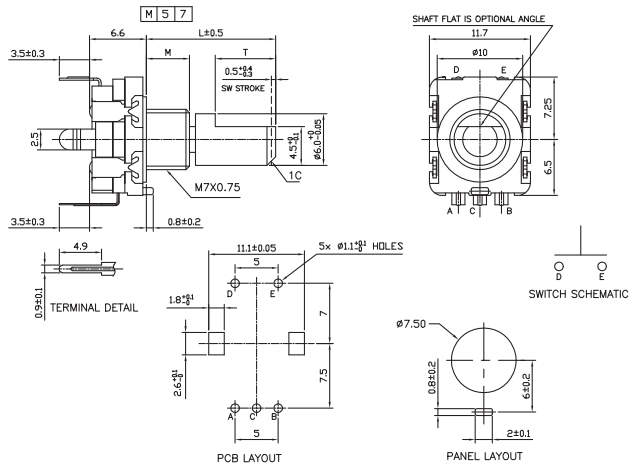
For 15 PPR (A leads B)

² Contact our customer service for custom designs and features.

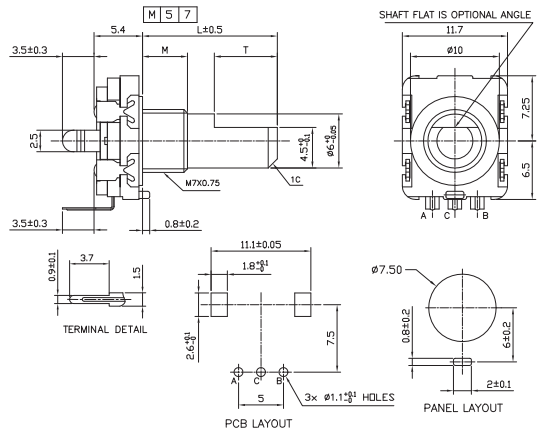
Model EN11

OUTLINE DRAWING

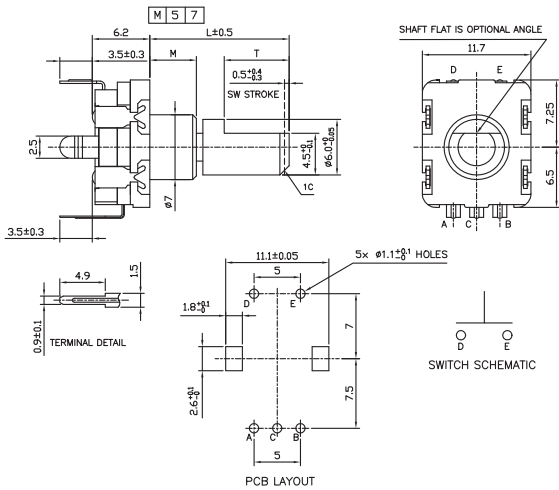
MODEL EN11-HSM
(Top Adjust, with Switch, Threaded Bushing)



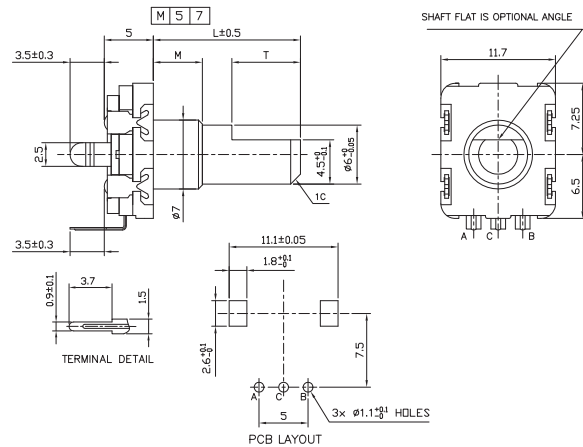
MODEL EN11-HNM
(Top Adjust, without Switch, Threaded Bushing)



MODEL EN11-HSB
(Top Adjust, with Switch, Plain Bushing)

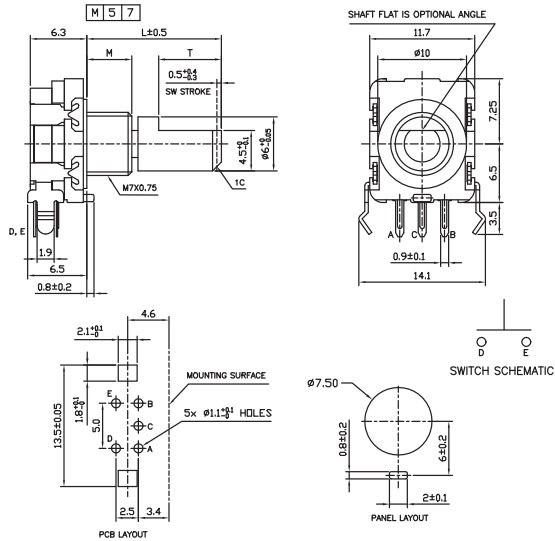


MODEL EN11-HNB
(Top Adjust, without Switch, Plain Bushing)

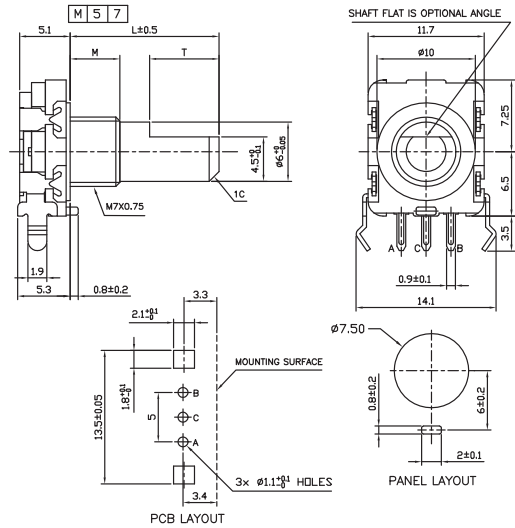


Model EN11

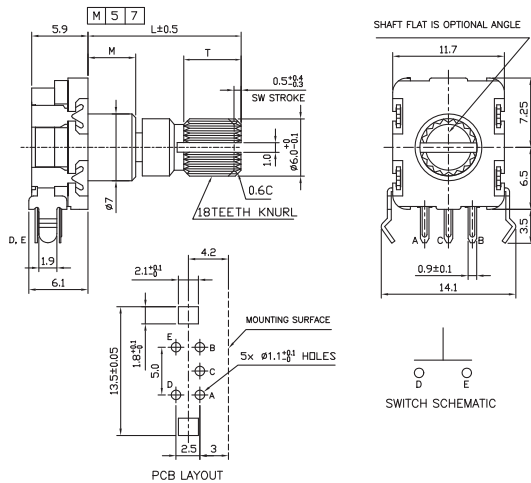
MODEL EN11-VSM (Side Adjust, with Switch, Threaded Bushing)



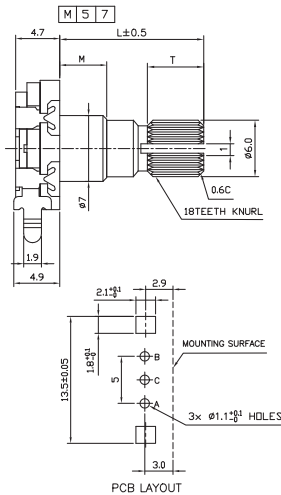
MODEL EN11-VNM (Side Adjust, without Switch, Threaded Bushing)



MODEL EN11-VSB (Side Adjust, with Switch, Plain Bushing)



MODEL EN11-VNB (Side Adjust, without Switch, Plain Bushing)



X-ON Electronics

Largest Supplier of Electrical and Electronic Components

Click to view similar products for [Screws & Fasteners](#) category:

Click to view products by [TT Electronics](#) manufacturer:

Other Similar products are found below :

[5721-1440-1/4-SS](#) [593503FX](#) [0098.0094](#) [0098.9206](#) [0098.9219](#) [0098.9221](#) [0098.9262](#) [596-2114-013](#) [59781-4](#) [59781-6](#) [0098.0026](#)
[0098.9210](#) [0098.9212](#) [60227-01](#) [60227-04](#) [60227-08](#) [60228-09](#) [618-00001](#) [62153-03](#) [62153-11](#) [M316-KSSTMCZ100](#) [M3440-SS](#) [M3442-SS](#) [M3448-SS](#) [6291A](#) [6292-1](#) [6-306105-9](#) [6-306131-4](#) [690432-1](#) [699161-000](#) [700989](#) [7-18023-1](#) [7-21002-8](#) [7230-3](#) [7235-3](#) [7248-1](#) [7248-2](#)
[73542-02](#) [CAPTIVE SHORT THUMBSCREW](#) [745564-1](#) [748174-2](#) [F03-02](#) [SUS316](#) [F1209](#) [751-00001](#) [80011](#) [809704-1](#) [8700](#) [8860220](#)
[9047](#) [95000002B](#) [9885-2](#)