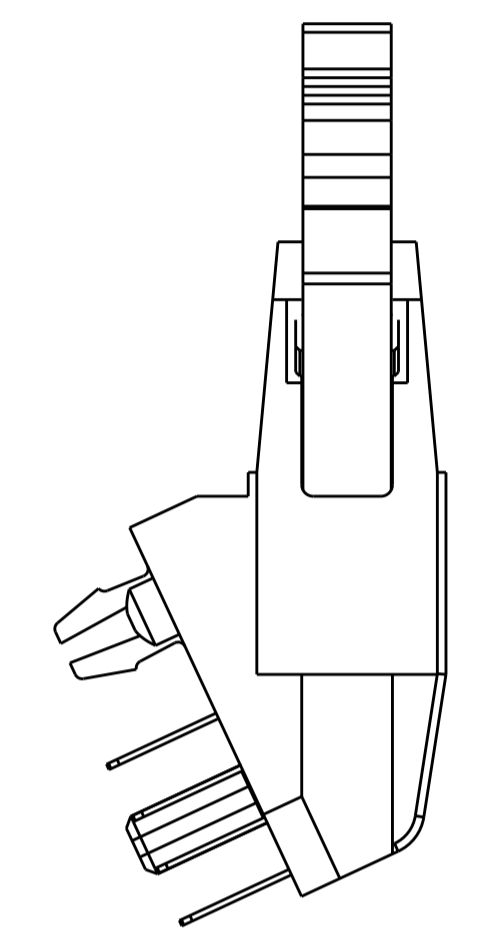
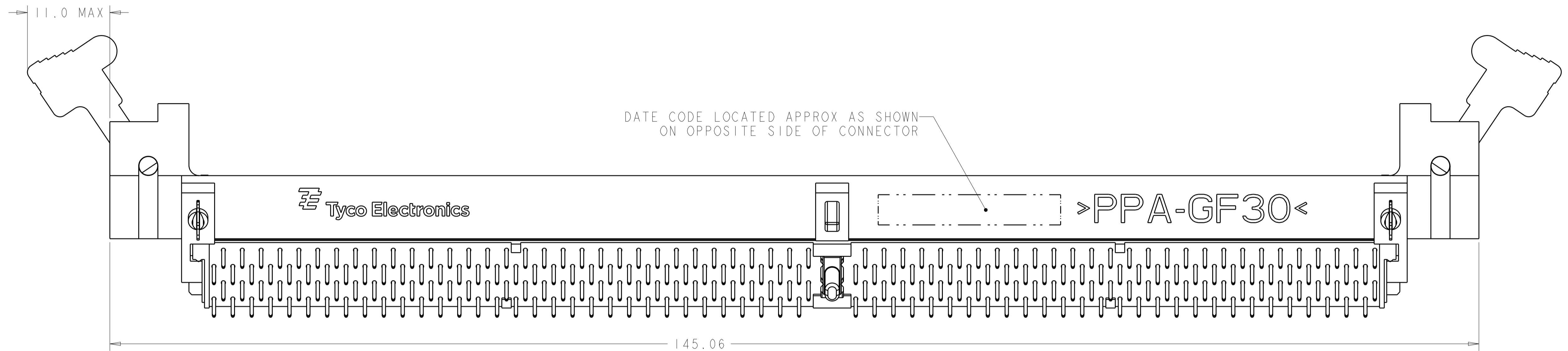
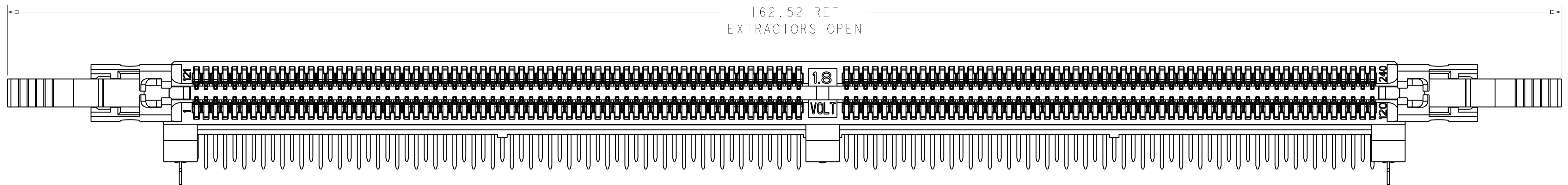
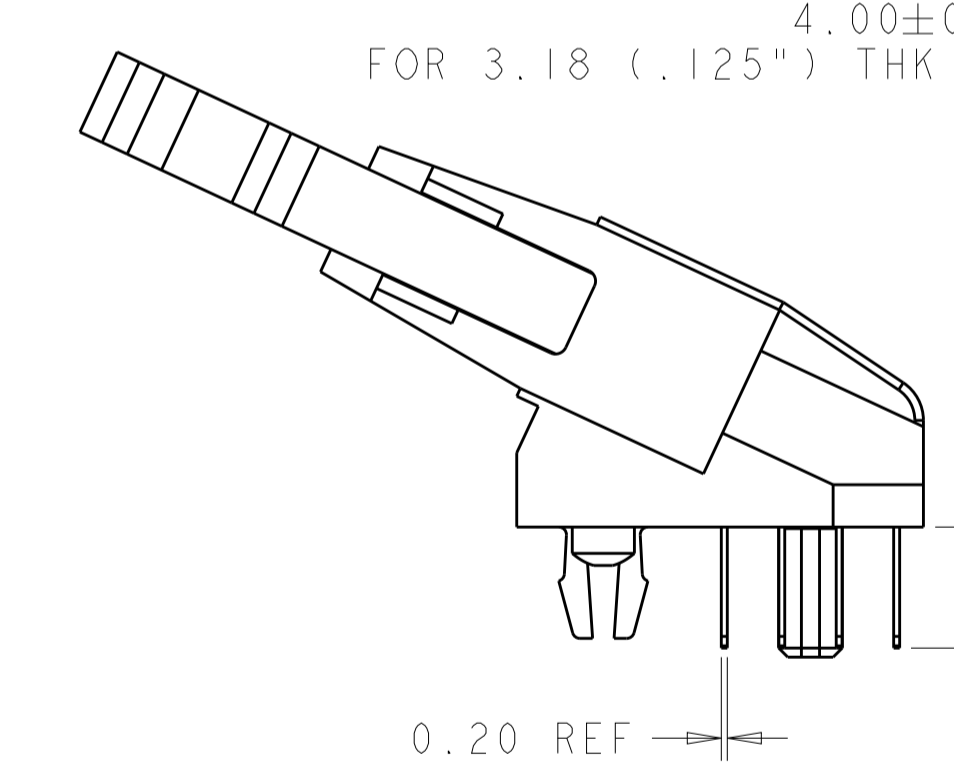
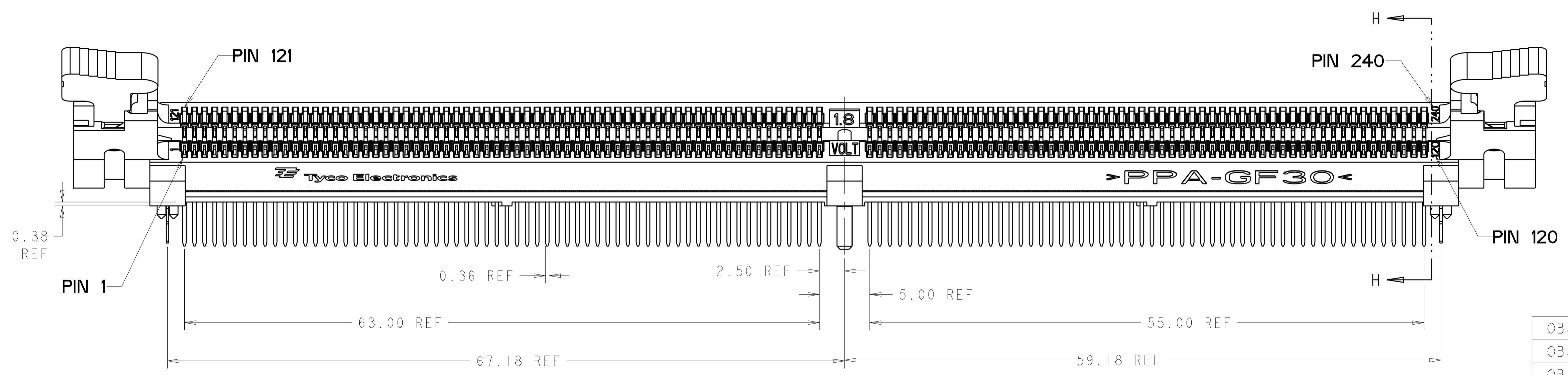


LOC	DIST	REVISIONS					
		P.	LTH	DESCRIPTION	DATE	DWN	APVD
ES	00	A3		REVISED PER ECO-11-005033	09MAY2011	RK	HMR
		A4		ECR-11-013206	27JUN2011	D.P	C.W
		A5		ECR-13-008246	21MAY2013	CC	CW



TAIL LENGTHS

- 2.67±0.25 FOR 1.60 (.063") THK PCB
- 3.18±0.25 FOR 2.36 (.093") THK PCB
- 4.00±0.25 FOR 3.18 (.125") THK PCB



- 1 MATERIALS:  
HOUSING: HIGH TEMPERATURE THERMOPLASTIC, BLACK, UL94 V-0  
EXTRACTOR: HIGH TEMPERATURE THERMOPLASTIC, NATURAL (OFF WHITE)  
CONTACTS: COPPER ALLOY  
RETENTION BARB: COPPER ALLOY
- 2 INTERFACE FINISH:  
0.00076 MIN THK GOLD OVER 0.00127 MIN THK NICKEL.  
0.00038 MIN THK GOLD OVER 0.00127 MIN THK NICKEL.
- 3 SOLDER TAIL FINISH:  
0.00300 MIN THK MATTE LEAD FREE PLATING OVER 0.00127 MIN THK NICKEL.
- 4 RIGHT HOLE IS GLOBAL D-E ORIGIN FOR ALL POSITIONAL TOLERANCES.  
LEFT AND RIGHT NON-PLATED THRU HOLES ESTABLISH [-E-].
- 5 FINISHED HOLE SIZE. Ø0.15 MAXIMUM ANNULAR RING.

- 6 DATUM [-F-] IS CONNECTOR SIDE SURFACE OF PCB.
- 7 PORE BLOCKER APPLIED TO CONTACT INTERFACE

CONDITION	MIN	MAX	PART NUMBER
OBSOLETE	0.00008 MIN	4.00	1658912-9
OBSOLETE	0.00008 MIN	3.18	1658912-8
OBSOLETE	0.00008 MIN	2.67	1658912-7
	0.00038 MIN	4.00	1658912-6
	0.00038 MIN	3.18	1658912-5
OBSOLETE	0.00038 MIN	2.67	1658912-4
	0.00076 MIN	4.00	1658912-3
	0.00076 MIN	3.18	1658912-2
	0.00076 MIN	2.67	1658912-1
	CONTACT GOLD INTERFACE	TAIL LENGTH	PART NUMBER

THIS DRAWING IS A CONTROLLED DOCUMENT.

DWN: D. RINGLER 28OCT2003  
CHK: J. McCLELLAN 29OCT2003  
APVD: J. McCLELLAN 29OCT2003

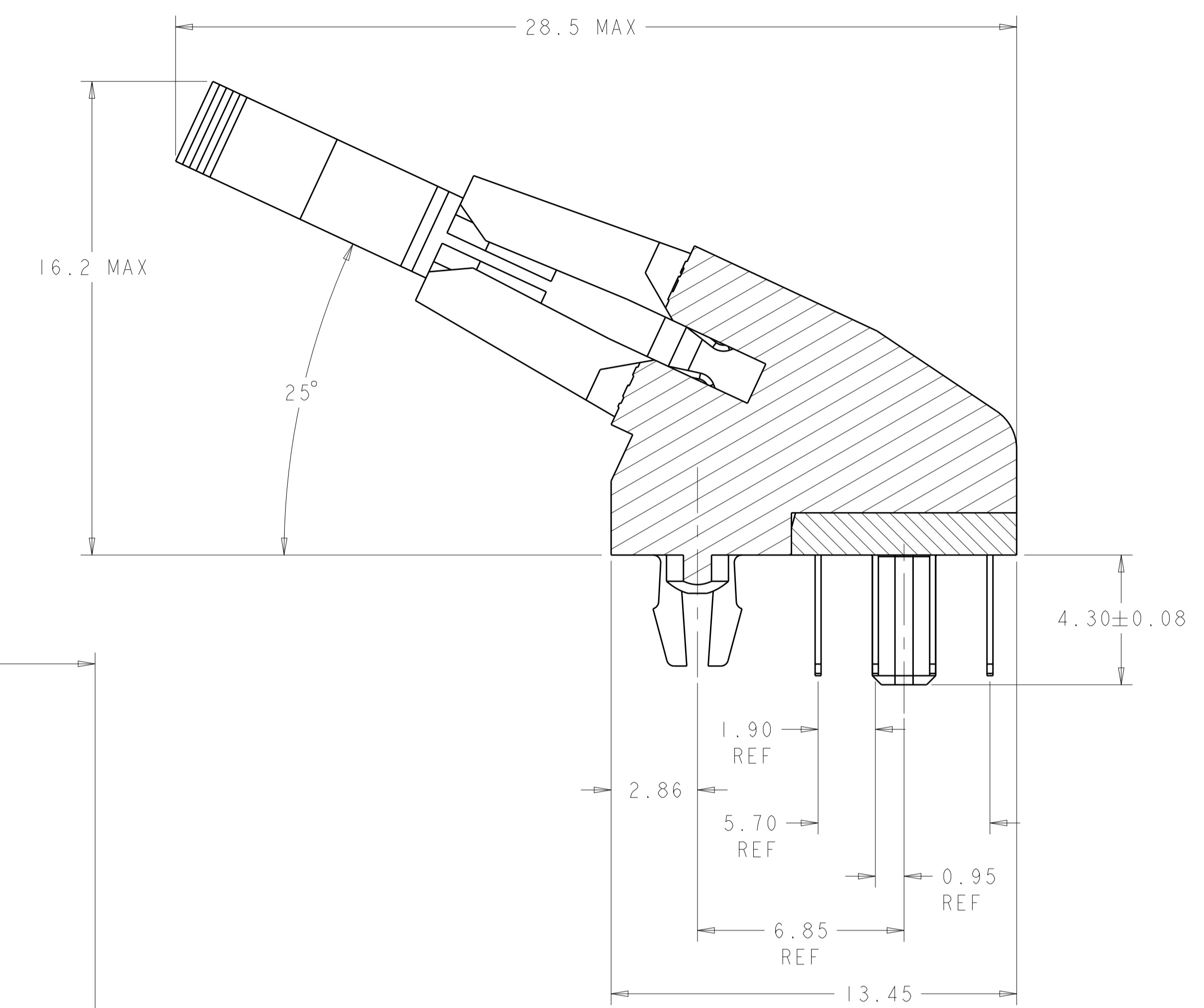
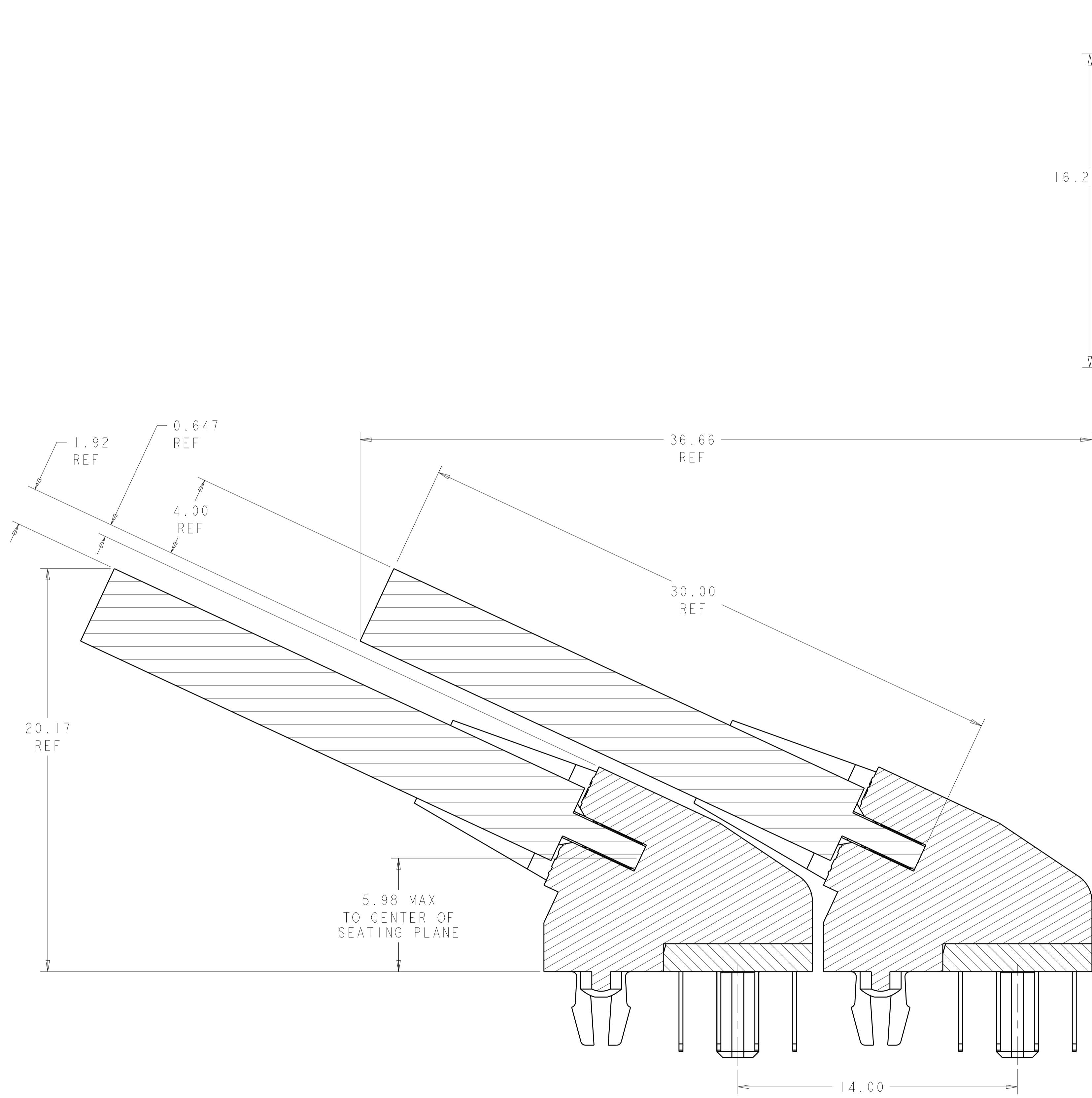
TE Connectivity

SOCKET ASSEMBLY  
25 DEGREE DDR II DIMM  
240 POSITION, STANDARD FOOTPRINT

SIZE: 108-2168  
APPLICATION SPEC: 114-13130  
WEIGHT: -  
CUSTOMER DRAWING

SCALE: 1:1  
SHEET: 1 OF 3  
REV: A5

LOC	DIST	REV	DATE	BY	APPD
ES	00				
DESCRIPTION			DATE	DMN	APVD
SEE SHEET 1			-	-	-



SECTION H-H  
 SCALE 8:1

MINIMUM RECOMMENDED ROW TO ROW SPACING  
 FOR 4mm THICK MODULE

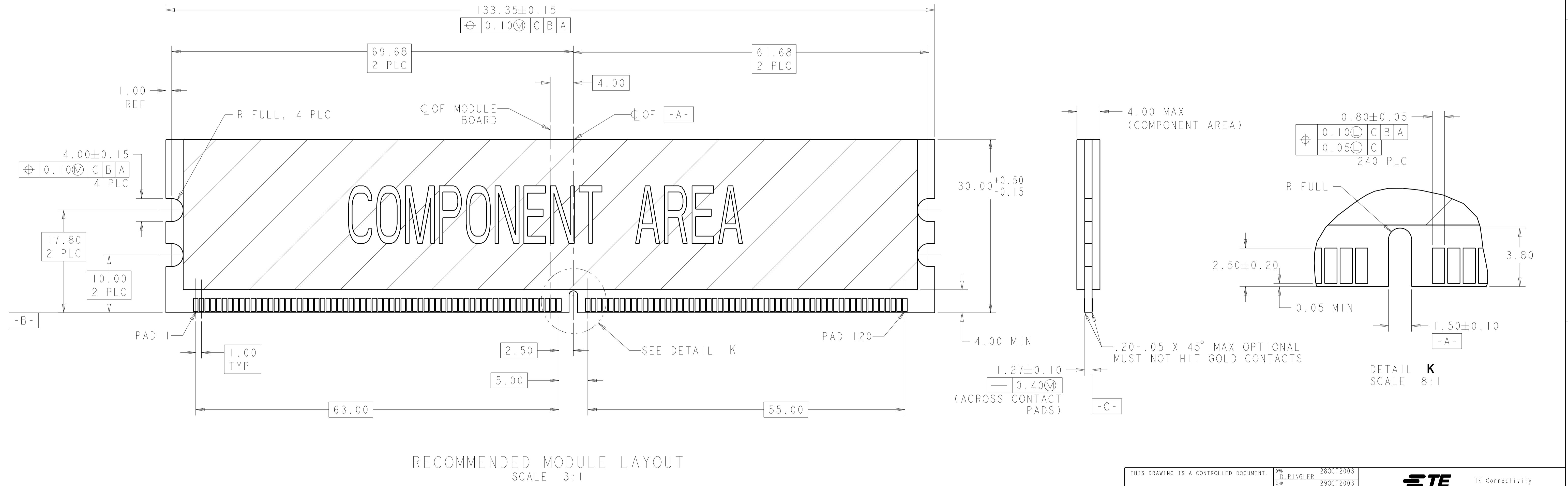
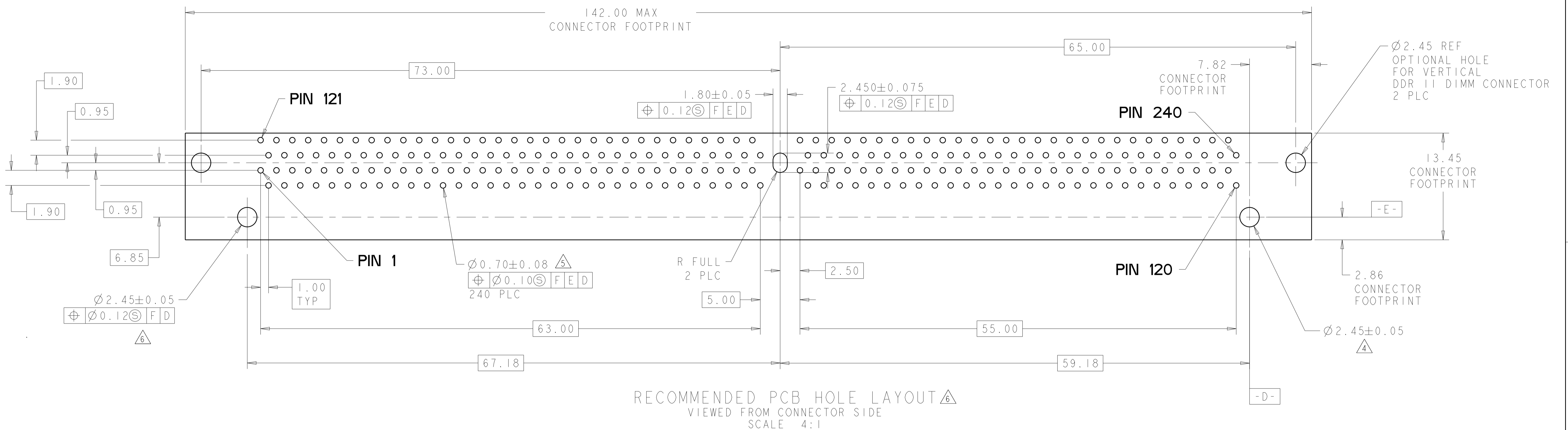
SCALE 8:1

THIS DRAWING IS A CONTROLLED DOCUMENT.		DMN D. RINGLER 28OCT2003	TE Connectivity
DIMENSIONS:		CHK J. McCLELLAN 29OCT2003	
mm	TOLERANCES UNLESS OTHERWISE SPECIFIED:	APVD J. McCLELLAN 29OCT2003	NAME SOCKET ASSEMBLY
	0 PLC ± 1 PLC ±0.25 2 PLC ±0.15 3 PLC ±0.013 4 PLC ± ANGLES ± FINISH ±	PRODUCT SPEC 108-2168	240 POSITION, STANDARD FOOTPRINT
MATERIAL		APPLICATION SPEC 114-13130	SIZE CAGE CODE DRAWING NO A100779C=1658912
		WEIGHT	RESTRICTED TO
		CUSTOMER DRAWING	SCALE 1:1 SHEET 2 OF 3 REV A5

LOC	DIST	REV	DATE	BY	APPV
ES	00				

REVISIONS			
NO.	DESCRIPTION	DATE	BY
-	SEE SHEET 1	-	-



THIS DRAWING IS A CONTROLLED DOCUMENT.		DWN D. RINGLER 28OCT2003	TE Connectivity
DIMENSIONS:		CHK J. McCLELLAN 29OCT2003	
mm	TOLERANCES UNLESS OTHERWISE SPECIFIED:	APPV J. McCLELLAN 29OCT2003	NAME SOCKET ASSEMBLY
Ø	0 PLC ±.25	PRODUCT SPEC	25 DEGREE DDR II DIMM
	1 PLC ±0.15	APPLICATION SPEC	240 POSITION, STANDARD FOOTPRINT
	2 PLC ±0.15	SIZE CAGE CODE DRAWING NO	RESTRICTED TO
	3 PLC ±0.13	114-13130	A100779C=1658912
	4 PLC ±.1	WEIGHT	SCALE 1:1 SHEET 3 OF 3 REV A5
	ANGLES	CUSTOMER DRAWING	

## X-ON Electronics

Largest Supplier of Electrical and Electronic Components

*Click to view similar products for [DIMM Connectors](#) category:*

*Click to view products by [TE Connectivity](#) manufacturer:*

Other Similar products are found below :

[1-1932649-2](#) [1-1761024-0](#) [2309411-5](#) [1932180-2](#) [0783590111](#) [0783590001](#) [0877051053](#) [10079248-11103LF](#) [10086891-052TSLF](#)  
[10116658-252ASLF](#) [59355-052FSLF](#) [5390471-1](#) [10074146-13211LF](#) [10079248-10202LF](#) [2309407-3](#) [10033853-052ASLF](#) [87782-6003](#) [KIT-](#)  
[SODIMM-1X16GB/01](#) [0780350001](#) [0878030012](#) [75.963AT.G020C](#) [78.B1GDE.AF1](#) [10078239-11103LF](#) [6-390322-1](#) [2013311-1](#) [2309410-1](#)  
[10116658-052FSLF](#) [10116658-152FSLF](#) [1-1735438-3](#) [78730-1002](#) [78726-1002](#) [2013310-1](#) [390111-1](#) [1735438-3](#) [78373-0011](#) [2308107-1](#) [2-](#)  
[2308107-1](#) [2309411-1](#) [5-1746530-4](#) [2309408-1](#) [2309409-1](#) [2309412-1](#) [151134-0001](#) [2309413-1](#) [296406200001856+](#) [2309407-1](#) [FCN-](#)  
[074J240-G/1D](#) [FCN-074B288-G/2D](#) [2309414-1](#) [10081530-12208LF](#)