



VIPOW 6V 4Ah



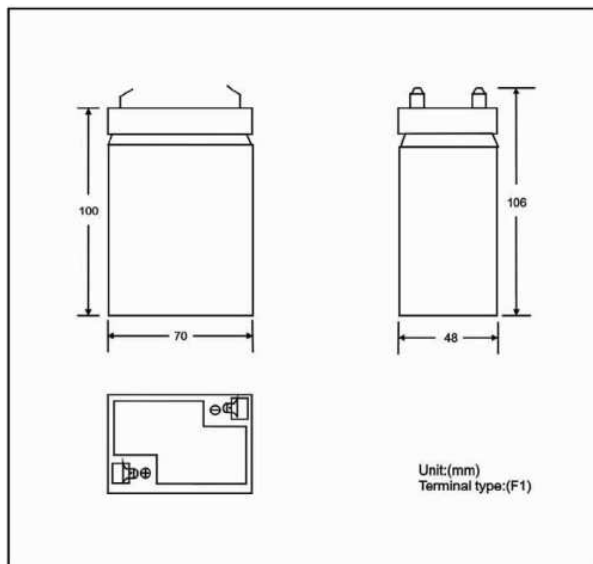
Specifications

LP4-6(univ.)		
Nominal Voltage	6V	
Rated Capacity (20 hours rate)	4.0Ah	
Dimension (±2mm)	Total Height (with terminals)	106mm
	Length	70mm
	Width	48mm
Weight (Approx)	0.72Kg	

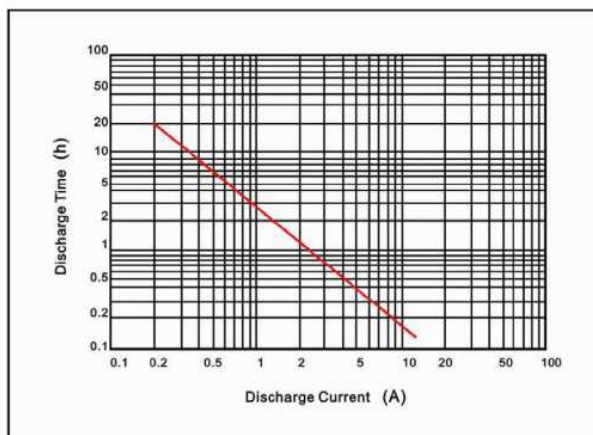
Characteristics

Capacity	20 hours rate (0.2A)	4Ah
Discharge Current Testing (25°C)	20 I ₂₀ rate (4A, 27min) 60 I ₂₀ rate (12A, 7min)	32min 7min
Internal Resistance	Full Charged Battery 25°C	26mΩ
Capacity Affected By Temperature (20 hours rate)	40°C 25°C 0°C -15°C	102% 100% 85% 62%
Residual Capacity (25°C)	Capacity After 3 Months Storage Capacity After 6 Months Storage Capacity After 12 Months Storage	91% 82% 64%
Cycle (Above 300 Time)	Discharge 2hrs at 1.0A Current Charge 6hrs at 0.4A Current (25°C)	
Charge (Constant Voltage)	Cycle (25°C)	Initial Charging Current Less Than 1.2A; Voltage 7.25~7.45V
	Float (25°C)	Charge Voltage 6.8~6.9V

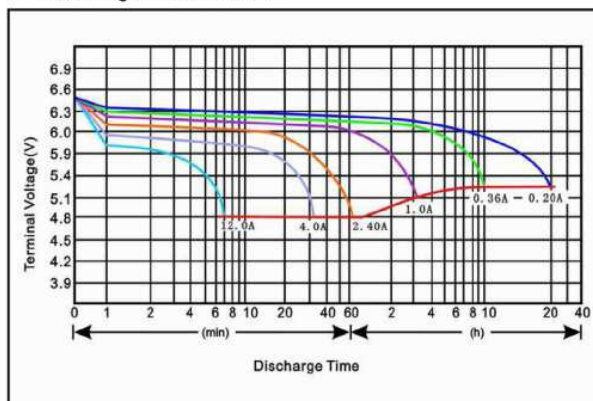
★ The above are average and date obtained from the first 3 charge/discharge cycles. These are not minimum values.



Discharge Current & Duration Time



Discharge Current 25°C



X-ON Electronics

Largest Supplier of Electrical and Electronic Components

Click to view similar products for [Sealed Lead Acid Battery](#) category:

Click to view products by [Vipow](#) manufacturer:

Other Similar products are found below :

[0809-0012](#) [0819-0012](#) [0850-0004](#) [0859-0012](#) [0800-0004](#) [LC-R0612P](#) [LC-R061R3P](#) [PS-1250F1](#) [APCRBC123](#) [APCRBC124](#) [LCRA1212P](#)
[NP12-12](#) [NP12-6](#) [NP3.2-12](#) [LC-P0612P](#) [LC-R063R4P](#) [LC-R067R2P1](#) [LC-R122R2P](#) [LC-R0612P1](#) [LC-R127R2P1](#) [LC-X1220AP](#) [UP-](#)
[VW1245P1](#) [2320296](#) [RBC32](#) [RBC11A](#) [RBC36-SLT](#)