

# VIPOW<sup>®</sup>

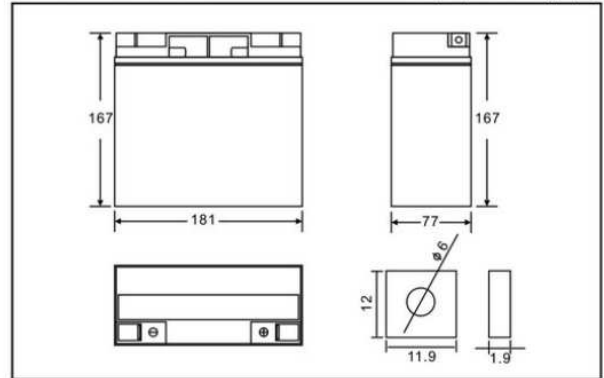
Karta katalogowa  
BAT0212



## VIPOW 12V 17.0Ah

## Plane Chart:

Unit:(mm) Terminal type:(L1)



ISO9001  
ISO140001  
OHSAS18001

### Characteristic:

1. 100% testing before out of factory, stable and reliable quality is guaranteed.
2. Professional alloy formula and advanced manufacturing techniques.
3. Completely sealed and maintenance free, low self-discharge.
4. Good charge-discharge acceptability.
5. Cyclic application: deep cycle charge-discharge for more than 260 times.
6. Floating application: for 3-5 years.

### Application:

- Anti-theft system
- Radio transceiver
- Power system
- Railroad engine and railway communication
- Emergency lighting and lamps
- Electric tools
- Electronic instruments and other backup power
- Medical facilities
- UPS for banking system
- Computer backup power
- Railroad engine and railway communication
- Marine system
- UPS for fire fighting system
- Toys

### Parts:

Executed Standard:GB/T 19639.1-2005

Cover	Container Bottom	Terminal	Positive Plate	Negative Plate	Separator	Electrolyte	Safety Valve	Seal Glue
ABS	ABS	Copper	PbO <sub>2</sub>	Pb	AGM	dilute sulphuric acid	Rubber	Epoxy Resin

### Packing

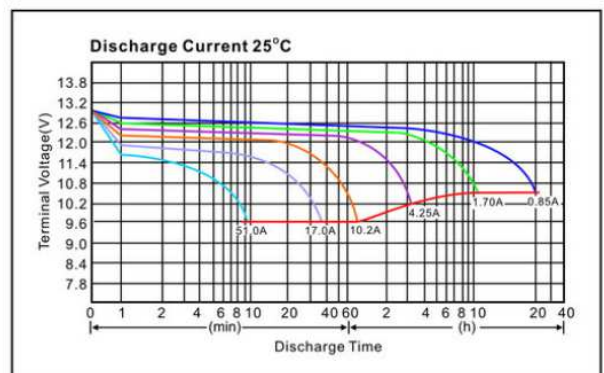
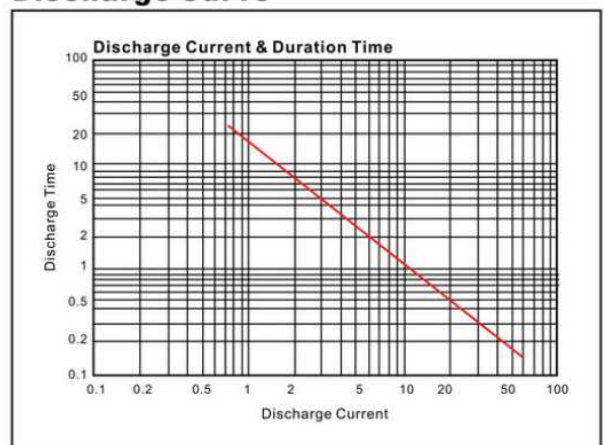
Date	Battery Packing	Inner Packing	Outer Packing
① Printing	① Polybag	Paper Box	Carton Packing
② Branded	② Shrink		
Carton Sealing		Accessories	
① Packing Strap		Bolts&nuts	Mini Charger
② Shrink		With	Optional

### Parameter Chart:

Volts		12V	
Capacity(25°C)	20 hours rate (0.85A)	17.0Ah	
Discharge Current Testing (25°C)	20 I <sub>20</sub> rate (17A, 27min)	40min	
	60 I <sub>60</sub> rate(51A, 7min)	9.5min	
Internal Resistance	Full Charged Battery 25°C	16mΩ	
Capacity Affected By Temperature (20 hours rate)	40°C	102%	
	25°C	100%	
	0°C	85%	
	-15°C	62%	
Residual Capacity (25°C)	Capacity After 3 Months Storage	91%	
	Capacity After 6 Months Storage	82%	
	Capacity After 12 Months Storage	64%	
Cycle (Above 300 Time)	Discharge 2hrs at 4.25A Current Charge 6hrs at 1.7A Current (25°C)		
Charge (Constant Voltage)	Cycle (25°C)	Initial Charging Current Less Than 5.1A Voltage 14.5~14.9V	
	Float (25°C)	Charge Voltage 13.6~13.8V	
Weight (Approx)		4.88Kg	

★The above are average and data obtained from the first 3 charge/discharge cycles. These are not minimum values.

### Discharge Curve





Constant Current Discharge (Amperes) at 25°C (77°F)												
F.V/Time	5min	10min	15min	30min	1Hr	2Hr	3Hr	4Hr	5Hr	6Hr	10Hr	20Hr
1.80V/cell	46.92	35.19	25.50	17.17	10.03	5.61	4.250	3.400	2.992	2.448	1.598	0.833
1.75V/cell	48.62	35.87	26.01	17.51	10.17	5.78	4.420	3.570	3.060	2.482	1.632	0.850
1.70V/cell	53.04	38.08	27.54	18.19	10.37	5.95	4.539	3.621	3.111	2.533	1.663	0.864
1.65V/cell	58.31	41.31	29.92	19.21	10.37	5.98	4.590	3.665	3.145	2.550	1.683	0.867
1.60V/cell	63.24	43.35	31.45	20.06	10.54	6.12	4.624	3.689	3.179	2.601	1.700	0.884

Constant Power Discharge (Watts/cell) at 25°C (77°F)												
F.V/Time	5min	10min	15min	30min	1Hr	2Hr	3Hr	4Hr	5Hr	6Hr	10Hr	20Hr
1.80V/cell	614.65	452.47	362.61	215.63	123.74	67.03	49.541	40.946	34.170	28.706	19.084	9.996
1.75V/cell	711.35	490.11	379.34	223.89	127.43	68.34	50.541	41.674	34.680	29.143	19.380	10.200
1.70V/cell	755.82	507.86	390.97	228.99	129.73	69.51	51.000	42.403	34.874	29.726	19.482	10.251
1.65V/cell	789.79	520.00	399.94	232.15	131.28	70.23	51.367	42.840	34.996	30.017	19.523	10.271
1.60V/cell	816.00	530.40	408.00	234.60	132.60	70.96	51.653	43.277	35.088	30.309	19.523	10.271

## Loading Info

Master Carton			Pallet			20 GP	
Pcs/Ctn	Size(mm)	N.W.(kg)	Size(mm)	Total CTNS	N.W.(T)	Pallet Qty	Battery Qty(pcs)
4 PCS	315*190*195	19.52	1.12*0.82	84	1.64	14	4704

## X-ON Electronics

Largest Supplier of Electrical and Electronic Components

*Click to view similar products for [Sealed Lead Acid Battery](#) category:*

*Click to view products by [Vipow](#) manufacturer:*

Other Similar products are found below :

[0809-0012](#) [0819-0012](#) [0850-0004](#) [0859-0012](#) [0800-0004](#) [LC-R0612P](#) [LC-R061R3P](#) [PS-1250F1](#) [APCRBC123](#) [APCRBC124](#) [LCRA1212P](#)  
[NP12-12](#) [NP12-6](#) [NP3.2-12](#) [LC-P0612P](#) [LC-R063R4P](#) [LC-R067R2P1](#) [LC-R122R2P](#) [LC-R0612P1](#) [LC-R127R2P1](#) [LC-X1220AP](#) [UP-](#)  
[VW1245P1](#) [2320296](#) [RBC32](#) [RBC11A](#) [RBC36-SLT](#)