

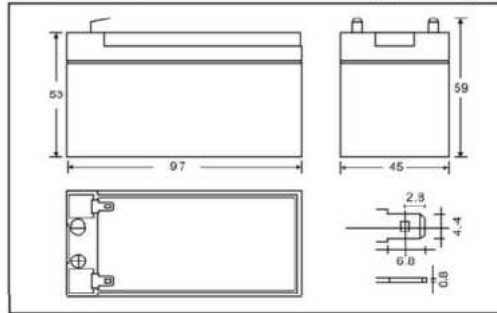


VIPOW 12V 1.3Ah



Plane Chart:

Unit:(mm) Terminal type:(F0)



ISO9001
ISO14001
OHSAS18001

Characteristic:

- 100% testing before out of factory, stable and reliable quality is guaranteed.
- Professional alloy formula and advanced manufacturing techniques.
- Completely sealed and maintenance free, low self-discharge.
- Good charge-discharge acceptability.
- Cyclic application: deep cycle charge-discharge for more than 260 times.
- Floating application: for 3-5 years.

Application:

- Anti-theft system
- Radio transceiver
- Power system
- Railroad engine and railway communication
- Emergency lighting and lamps
- Electric tools
- Electronic instruments and other backup power
- Medical facilities
- UPS for banking system
- Computer backup power
- Marine system
- UPS for fire fighting system
- Toys

Parts:

Executed Standard:GB/T 19639.1-2005

Cover	Container Bottom	Terminal	Positive Plate	Negative Plate	Separator	Electrolyte	Safety Valve	Seal Glue
ABS	ABS	Copper	PbO ₂	Pb	AGM	dilute sulphuric acid	Rubber	Epoxy Resin

Packing

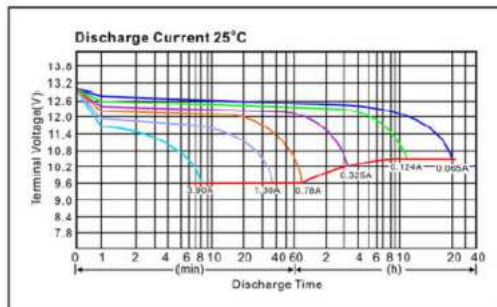
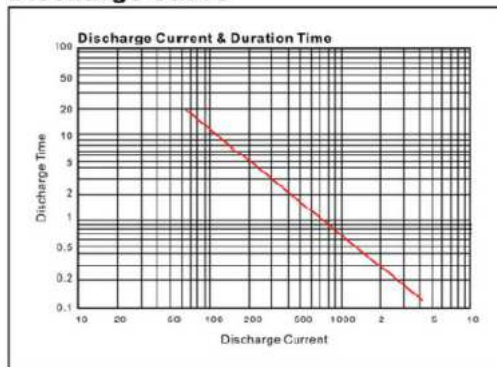
Date	Battery Packing	Inner Packing	Outer Packing
1. Printing	1. Polybag	Paper Box	Carton Packing
2. Branding	2. Shrink		
Carton Sealing		Accessories	
1. Packing Strap		Bolts&nuts	Mini Charger
2. Shrink		With	Optional

Parameter Chart:

Volts		12V	
Capacity(25°C)		20 hours rate (0.05A)	1.3Ah
Discharge Current Testing (25°C)		20 I ₂₀ rate (1.3A, 27min)	35min
		60 I ₆₀ rate(3.9A, 7min)	8min
Internal Resistance		Full Charged Battery 25°C	90mΩ
Capacity Affected By Temperature (20 hours rate)		40°C	102%
		25°C	100%
		0°C	85%
		-15°C	62%
Residual Capacity (25°C)		Capacity After 3 Months Storage	91%
		Capacity After 6 Months Storage	82%
		Capacity After 12 Months Storage	64%
Cycle (Above 300 Times)		Discharge 2hrs at 0.325A Current Charge 6hrs at 0.12A Current (25°C)	
Charge (Constant Voltage)	Cycle (25°C)	Initial Charging Current Less Than 0.39A Voltage 14.5~14.9V	
	Float (25°C)	Charge Voltage 13.6~13.8V	
Weight (Approx)			0.59Kg

*The above are average data obtained from the first 3 charge/discharge cycles. These are not minimum values.

Discharge Curve





Constant Current Discharge (Amperes) at 25°C (77°F)												
F.V/Time	5min	10min	15min	30min	1Hr	2Hr	3Hr	4Hr	5Hr	6Hr	10Hr	20Hr
1.80V/cell	3.59	2.69	1.95	1.31	0.77	0.43	0.325	0.260	0.229	0.187	0.122	0.064
1.75V/cell	3.72	2.74	1.99	1.34	0.78	0.44	0.338	0.273	0.234	0.190	0.125	0.065
1.70V/cell	4.06	2.91	2.11	1.39	0.79	0.46	0.347	0.277	0.238	0.194	0.127	0.066
1.65V/cell	4.46	3.16	2.29	1.47	0.79	0.46	0.351	0.280	0.241	0.195	0.129	0.066
1.60V/cell	4.84	3.32	2.41	1.53	0.81	0.47	0.354	0.282	0.243	0.199	0.130	0.068

Constant Power Discharge (Watts/cell) at 25°C (77°F)												
F.V/Time	5min	10min	15min	30min	1Hr	2Hr	3Hr	4Hr	5Hr	6Hr	10Hr	20Hr
1.80V/cell	47.00	34.60	27.73	16.49	9.46	5.13	3.788	3.131	2.613	2.195	1.459	0.764
1.75V/cell	54.40	37.48	29.01	17.12	9.74	5.23	3.865	3.187	2.652	2.229	1.482	0.780
1.70V/cell	57.80	38.84	29.90	17.51	9.92	5.32	3.900	3.243	2.667	2.273	1.490	0.784
1.65V/cell	60.40	39.76	30.58	17.75	10.04	5.37	3.928	3.276	2.676	2.295	1.493	0.785
1.60V/cell	62.40	40.56	31.20	17.94	10.14	5.43	3.950	3.309	2.683	2.318	1.493	0.785

Loading Info

Master Carton			Pallet			20 GP	
Pcs/Ctn	Size(mm)	N.W.(kg)	Size(mm)	Total CTNS	N.W.(T)	Pallet Qty	Battery Qty(pcs)
20 PCS	400*238*80	11.60					

X-ON Electronics

Largest Supplier of Electrical and Electronic Components

Click to view similar products for [Sealed Lead Acid Battery](#) category:

Click to view products by [Vipow](#) manufacturer:

Other Similar products are found below :

[0809-0012](#) [0819-0012](#) [0850-0004](#) [0859-0012](#) [0800-0004](#) [LC-R0612P](#) [LC-R061R3P](#) [PS-1250F1](#) [APCRBC123](#) [APCRBC124](#) [LCRA1212P](#)
[NP12-12](#) [NP12-6](#) [NP3.2-12](#) [LC-P0612P](#) [LC-R063R4P](#) [LC-R067R2P1](#) [LC-R122R2P](#) [LC-R0612P1](#) [LC-R127R2P1](#) [LC-X1220AP](#) [UP-](#)
[VW1245P1](#) [2320296](#) [RBC32](#) [RBC11A](#) [RBC36-SLT](#)