

# xirodur® B180 Polymer Ball Bearings | Product Range

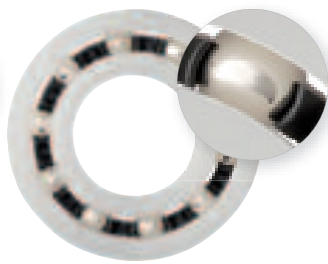
## Radial deep-groove ball bearings



From xirodur® B180  
PA cage, glass balls



+80 °C  
-40 °C



From xirodur® B180  
PA cage, stainless steel balls



+80 °C  
-40 °C

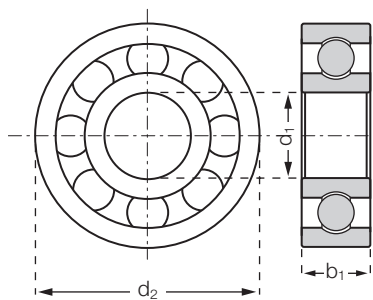
xiros® B180 polymer ball bearings are for use with temperatures up to +80 °C. The specially developed material xirodur® B180 provides significantly longer life times at a lower cost.

- Lubrication- and maintenance-free
- Non-magnetic and washable
- Corrosion-resistant
- Predictable lifetime
- Low weight
- For shaft diameters 3–60 mm
- Electrically insulating

## Dimensions [mm]

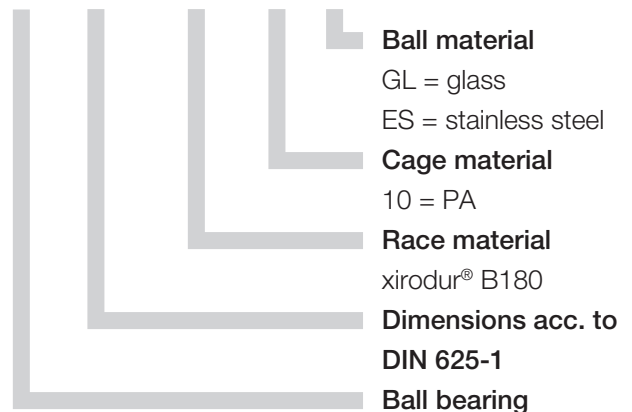
Part number	Race	Cage	Ball	Inner-Ø d1	Outer-Ø d2	Width b1
BB-623-B180-10-ES	B180	PA	1.4401	3	10	4
BB-626-B180-10-ES	B180	PA	1.4401	6	19	6
BB-608-B180-10-ES	B180	PA	1.4401	8	22	7
BB-6000-B180-10-ES	B180	PA	1.4401	10	26	8
BB-6001-B180-10-ES	B180	PA	1.4401	12	28	8
BB-6003-B180-10-ES	B180	PA	1.4401	17	35	10
BB-6004-B180-10-ES	B180	PA	1.4401	20	42	12
BB-6005-B180-10-ES	B180	PA	1.4401	25	47	12
BB-6006-B180-10-ES*	B180	PA	1.4401	30	55	13
BB-6007-B180-10-ES*	B180	PA	1.4401	35	62	14
BB-6008-B180-10-ES*	B180	PA	1.4401	40	68	15
BB-6009-B180-10-ES*	B180	PA	1.4401	45	75	16
BB-6010-B180-10-ES*	B180	PA	1.4401	50	80	16
BB-6011-B180-10-ES*	B180	PA	1.4401	55	90	18
BB-6012-B180-10-ES*	B180	PA	1.4401	60	95	18
BB-623-B180-10-GL	B180	PA	Glass	3	10	4
BB-626-B180-10-GL	B180	PA	Glass	6	19	6
BB-608-B180-10-GL	B180	PA	Glass	8	22	7
BB-6000-B180-10-GL	B180	PA	Glass	10	26	8
BB-6001-B180-10-GL	B180	PA	Glass	12	28	8
BB-6003-B180-10-GL	B180	PA	Glass	17	35	10
BB-6004-B180-10-GL	B180	PA	Glass	20	42	12
BB-6005-B180-10-GL	B180	PA	Glass	25	47	12
BB-6006-B180-10-GL*	B180	PA	Glass	30	55	13
BB-6007-B180-10-GL*	B180	PA	Glass	35	62	14
BB-6008-B180-10-GL*	B180	PA	Glass	40	68	15
BB-6009-B180-10-GL*	B180	PA	Glass	45	75	16
BB-6010-B180-10-GL*	B180	PA	Glass	50	80	16
BB-6011-B180-10-GL*	B180	PA	Glass	55	90	18
BB-6012-B180-10-GL*	B180	PA	Glass	60	95	18

## Radial deep-groove ball bearings



## Order key

## BB-623-B180-10-GL



## Technical data

Part number	Max. static bearing load axial [N]	Static bearing load [N]	Dynamic bearing load [N]	Max. speed [rpm]	Weight [g]
BB-623-B180-10-ES	30	25	35	4,500	0.4
BB-626-B180-10-ES	95	50	70	2,600	2.2
BB-608-B180-10-ES	165	60	84	2,200	3.9
BB-6000-B180-10-ES	285	85	119	1,900	6.1
BB-6001-B180-10-ES	315	105	147	1,750	6.9
BB-6003-B180-10-ES	360	180	250	1,400	11.1
BB-6004-B180-10-ES	400	210	294	1,150	20.2
BB-6005-B180-10-ES	520	240	360	1,050	23.9
BB-6006-B180-10-ES*	640	280	420	900	35.0
BB-6007-B180-10-ES*	720	320	480	800	47.0
BB-6008-B180-10-ES*	800	350	520	750	56.3
BB-6009-B180-10-ES*	900	380	560	650	71.5
BB-6010-B180-10-ES*	950	390	580	600	83.1
BB-6011-B180-10-ES*	1,000	400	600	550	125.2
BB-6012-B180-10-ES*	1,100	420	640	500	129.6
BB-623-B180-10-GL	30	25	35	4,500	0.3
BB-626-B180-10-GL	95	50	70	2,600	1.7
BB-608-B180-10-GL	165	60	84	2,200	2.6
BB-6000-B180-10-GL	285	85	119	1,900	4.0
BB-6001-B180-10-GL	315	105	147	1,750	4.5
BB-6003-B180-10-GL	360	180	250	1,400	7.9
BB-6004-B180-10-GL	400	210	294	1,150	13.6
BB-6005-B180-10-GL	520	240	360	1,050	16.7
BB-6006-B180-10-GL*	640	280	420	900	24.2
BB-6007-B180-10-GL*	720	320	480	800	31.3
BB-6008-B180-10-GL*	800	350	520	750	39.1
BB-6009-B180-10-GL*	900	380	560	650	48.6
BB-6010-B180-10-GL*	950	390	580	600	56.4
BB-6011-B180-10-GL*	1,000	400	600	550	84.4
BB-6012-B180-10-GL*	1,100	420	640	500	85.6



delivery available  
time from stock



prices price list online  
www.igus.eu/eu/xiros



order part number  
example BB-623-B180-10-ES

\*order related

## X-ON Electronics

Largest Supplier of Electrical and Electronic Components

*Click to view similar products for [Other Tools](#) category:*

*Click to view products by [Igus](#) manufacturer:*

Other Similar products are found below :

[CR-05FL7--150R](#) [CR-05FL7--698K](#) [899-2-KT46](#) [899-5-KT46](#) [CR-0AFL4--332K](#) [CR-12FP4--260R](#) [CRCW04021961FRT7](#) [5800-0090](#)  
[CRCW0603102JRT5](#) [59065-5](#) [00-8273-RDPP](#) [00-8729-WHPP](#) [593033](#) [593058](#) [593072](#) [593564100](#) [593575](#) [593591](#) [593593](#) [011349-000](#)  
[LTI506SBLAMNBL](#) [LUC-012S070DSM](#) [LUC-018S070DSP](#) [599-2021-3-NME](#) [599-JJ-2021-03](#) [00-5080-YWPP](#) [5E4750/01-20R0-T/R](#)  
[LW1A-L1-GL](#) [LW1A-P1-GD](#) [LW1L-A1C10V-GL](#) [LW1L-M1C70-A](#) [0202-0173](#) [00-9089-RDPP](#) [00-9300-RDPP](#) [01-1003W-8/32-10](#) [601-](#)  
[GP-08-KT39](#) [601-JJ-06](#) [601-SPB](#) [601YSY](#) [602-JJ-03](#) [602SPB](#) [602Z](#) [603-JJ-07-FP](#) [603-JJY-04](#) [604J](#) [604-JJ-05](#) [CRTN1013](#) [CS16](#) [6-](#)  
[1579014-0](#) [CSB2](#)