

DO NOT SCALE
DIMENSIONS IN mm

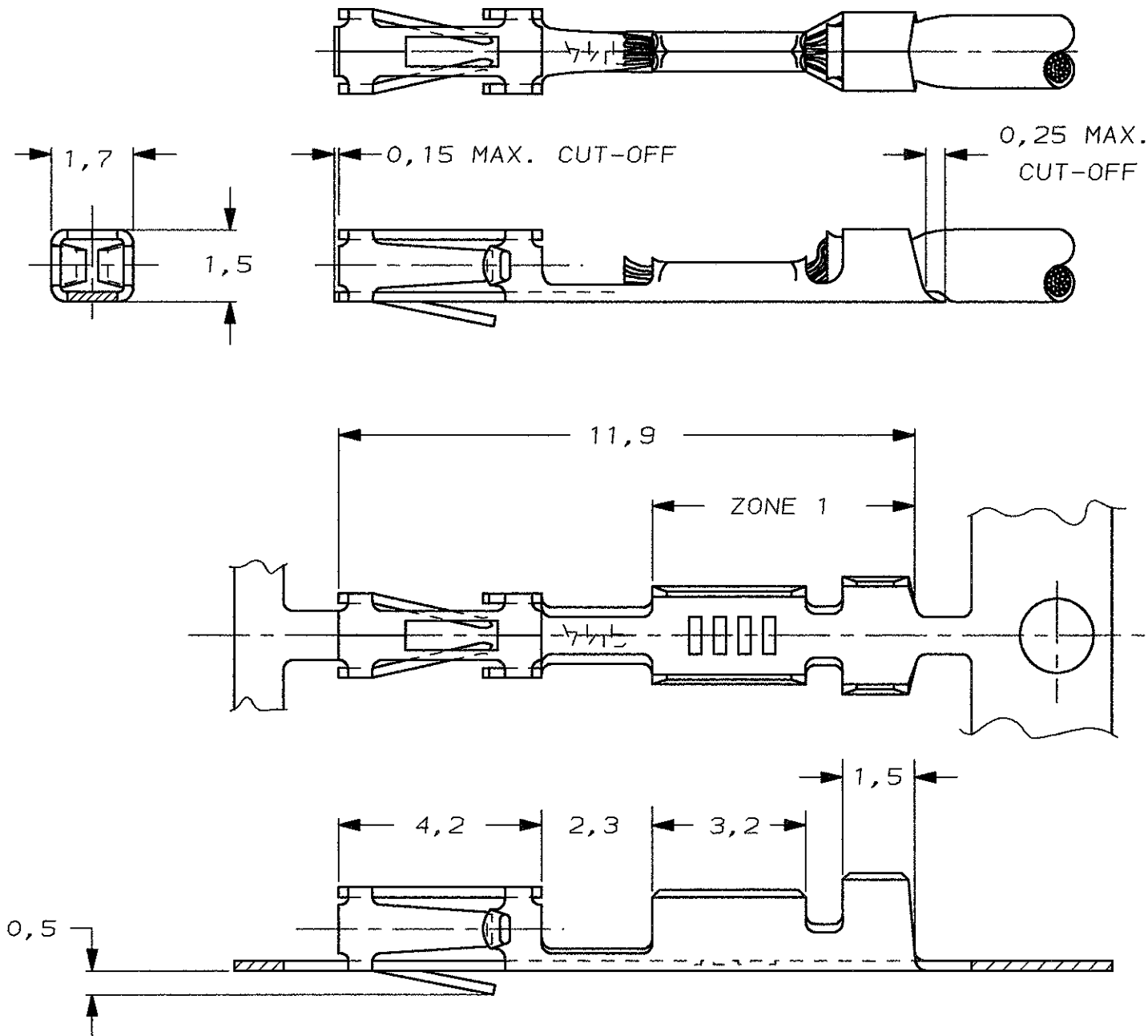
METRIC

THIRD ANGLE
PROJECTION



NOTES:

- 1 FOR MINI-APPLICATOR-CRIMPING.
- 2 UNDERCOATING: 1,25µm Ni, SELECTIVE: 0,8µm Au, ZONE 1: 0,5µm MIN. GOLDFLASH.
- 3 UNDERCOATING: 1,25µm Ni, SELECTIVE: 0,8µm Au, REMAINDER: GOLDFLASH.
- 4 UNDERCOATING: 1,25µm Ni, SELECTIVE: 0,4µm Au, NO GOLDFLASH.
- 5 ~~ZONE 1: BRIGHT TIN/LEAD PLATED.~~
- 6 MATERIAL: PHOSPHORBRONZE
- 7 FOR STANDARD-APPLICATOR-CRIMPING.
- 8 FOR REELFED-HANDTOOL-CRIMPING, 500 CONTACTS ON A SMALL REEL.
- 9 24-20 AWG (0,20-0,56 mm²) WITH .055 CRIMPER.
26 AWG (0,12-0,14 mm²) WITH .042 CRIMPER.



| | | | | |
|------|---|----------|------------|---|
| GOLD | 2 | 141603-4 | 5-167300-8 | 8 |
| GOLD | 4 | ≠ | 1-167300-6 | 1 |
| | | | 1-167300-5 | 2 |
| GOLD | 2 | 141603-4 | 167300-8 | 1 |
| | | | 167300-7 | 2 |
| GOLD | 3 | 141603-3 | 167300-6 | 1 |
| | | | 167300-5 | 2 |

| | | | | FINISH | LOOSE PIECE | PARTNUMBER |
|-------|-----------------|-------|------------|----------|-------------|--|
| - | - | - | - | - | - | CUSTOMER DRAWING FOR REFERENCE ONLY WILL NOT BE UPDATED |
| - | - | - | - | - | - | © COPYRIGHT 19- BY AMP HOLLAND B.V. ALL INTERNATIONAL RIGHTS RESERVED. AMP PRODUCTS MAY BE COVERED BY U.S. AND FOREIGN AND/OR PATENTS PENDING. |
| - | - | - | - | - | - | THIS DRAWING IS UNPUBLISHED RELEASED FOR PUBLICATION ,19 |
| - | - | - | - | - | - | AMP AMP HOLLAND B.V. 's-Hertogenbosch, The Netherlands. |
| - | - | - | - | - | - | NAME AMP MODU MOD.4 RECEPTACLE, STRIP |
| F | EH-2039-98 | JvL | JvL | 03-12-98 | | |
| LTR. | REVISION RECORD | DR. | CHK. | DATE | | |
| DR.: | J.v.LIEMPT | CHK.: | J.v.LIEMPT | APP.: | E.LEIJTENS | DWG. No. |
| DATE: | 03 DEC 98 | DATE: | - | DATE: | - | C-167300 |
| | | | | | | REV. LTR. |
| | | | | | | F |
| | | | | | | SHEET |
| | | | | | | 1 OF 1 |
| | | | | | | A3 |

X-ON Electronics

Largest Supplier of Electrical and Electronic Components

Click to view similar products for te connectivity manufacturer:

Other Similar products are found below :

[570416-000](#) [CLTEQ-M81CE-SSRELAY-4-20V](#) [4-1633138-8](#) [D38999/24FJ4AN](#) [4-1195131-0](#) [650069-000](#) [SMD100-2](#) [2EDL4CM](#)
[DTS20W19-11PD-3028](#) [DTS20W19-11PD-3028-LC](#) [DTS20W19-32SD-3028-LC](#) [DTS20W19-32SD-3028](#) [NC6-P104-06](#) [TXR64AB90-](#)
[3616AI](#) [DTS26F21-41HE](#) [DTS26F21-41AE](#) [DTS26F21-41PE-LC](#) [DTS26F21-11SE-3028-LC](#) [D38999/24WF32JE](#) [D38999/24WF32SE-LC](#)
[DTS24W19-32HE](#) [D38999/20JB35HA](#) [D38999/24WJ20PA](#) [164-8033-08](#) [D38999/24FF32JE](#) [D38999/24FF32SE-LC](#) [D38999/24WF32JB](#)
[D38999/24WG11HA](#) [D38999/24WG11HN](#) [MS27467T21F11H](#) [DJT16E21-11HA](#) [DTS24F19-32HE](#) [DTS20W19-32SA-3028-LC](#) [DTS24F19-](#)
[11SC-3028-LC](#) [DTS24F19-11SC-3028](#) [DJT14E13-98HB](#) [D38999/20WC8BB](#) [1-330599-5](#) [DTS24F21-41HN-LC](#) [DTS24F21-41HN](#)
[DTS24F21-41AN](#) [DTS24F21-39HN](#) [DTS24F21-41PN-LC](#) [AFD50-10-6SN-1A-LC](#) [DJT10F17-26HC](#) [DTS24W19-32HB](#) [ACT20JE99HA](#)
[DJT10E17-26HC](#) [DJT10E17-26HN](#) [DJT10F17-26HA](#)