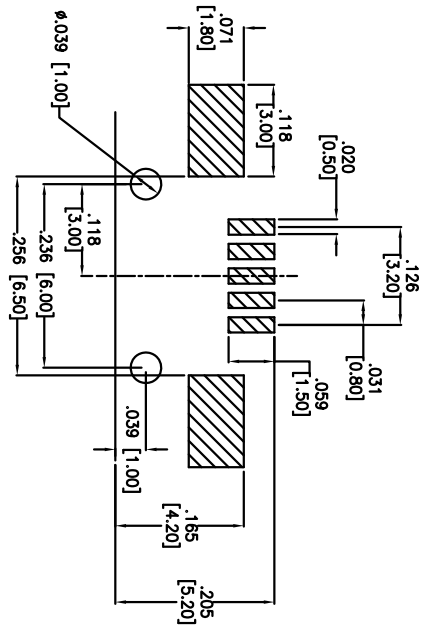
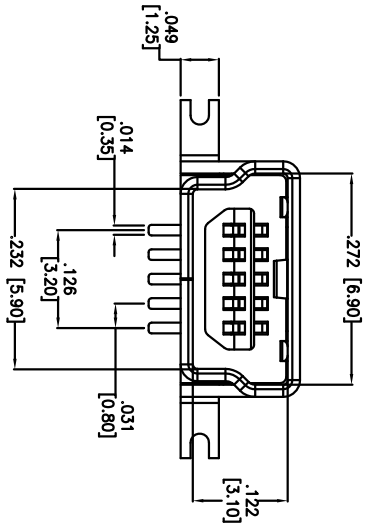
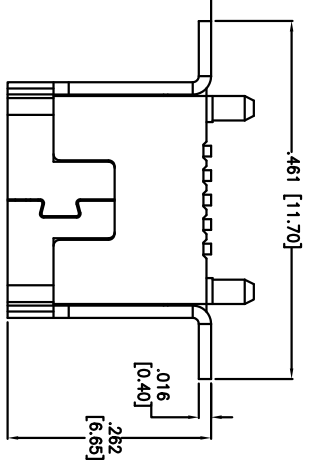
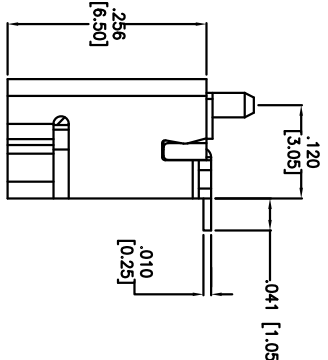
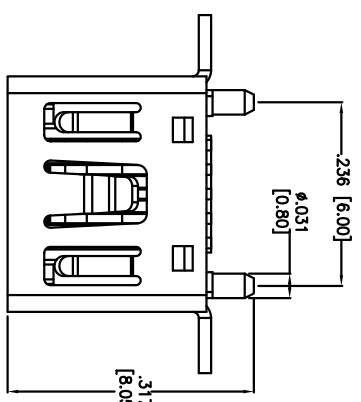


Rev	AWO #	Description	Date	Appr
-		RELEASED	7/13/12	

APPROVED: \_\_\_\_\_  
 DATE: \_\_\_\_\_ TITLE: \_\_\_\_\_



**SPECIFICATIONS:**

**Material:** Insulator: Hi-temp thermoplastic, rated UL 94V-0  
 Insulator color: Black  
**Contacts:** Phosphor Bronze  
 Shell: Brass, Nickel Plated  
**Plating:** Gold Flash over Nickel underplate on contact area, Tin over Copper underplate on PCB tails  
**Electrical:**  
 Current Rating: 1.0 A AC/DC  
 Voltage Rating: 30 V AC/DC  
 Contact resistance: 50 Mohms max  
 Insulation resistance: 100 Mohms min  
 Dielectric withstanding voltage: 100 VAC for 1 minute  
 Temperature Rating: Operating temperature: -25°C to +80°C  
 Environmental: Lead free, RoHS compliant.



UNLESS OTHERWISE SPECIFIED  
 ALL DIMENSIONS ARE MM  
 TOLERANCES: EXCEPT AS NOTED

APPROVALS	DATE
DRAWN AY	7/13/12
CHECKED AH	7/13/12
APPROVED	

**ADAM TECH**  
 909 Ratway Avenue, Union, NJ 07083  
 Phone: 908-687-5000 Fax: 908-687-5710

SIZE	PART NO.	REV.
X	MUSB-B5-S-VT-TSMT-1	-

REF: S00126T SCALE: NTS SHEET 1 OF 1

## X-ON Electronics

Largest Supplier of Electrical and Electronic Components

*Click to view similar products for [USB Cables / IEEE 1394 Cables](#) category:*

*Click to view products by [Adam](#) manufacturer:*

Other Similar products are found below :

[68768-0173](#) [FNY-W6003-01](#) [88764-0800](#) [13805532](#) [148700-1](#) [17-200621](#) [17-250051P](#) [954](#) [AC102012-2](#) [IP-USB1\(C10\)S-RW](#)  
[CABLE/RTP/USB/DT](#) [0847290003](#) [10115240-12200LF](#) [RS232-GTD](#) [USBFTVX2SA2N03A](#) [USBFTV2SA2N03A](#) [1689404-1](#) [FTP-](#)  
[629Y401](#) [FTP-628Y402](#) [943301-001](#) [FNY-W6022](#) [FNY-W6003-03](#) [1310-1015-05](#) [1310-1019-04](#) [0887283402](#) [UA-30AMFM-SL7B02](#) [UA-](#)  
[30AMFM-SL7B01](#) [UA-30AFM-LD7B03](#) [UA-30AMFM-SL7B03](#) [USBAPSCC7202A](#) [UES-1001A160](#) [UES-1003A160](#)  
[USBFTVX7SA2N20A](#) [USBFTVX2SA2N20A](#) [USBFTV2PEMSA2N10A](#) [FTP-629Y602](#) [USBCAMCM100](#) [USB A/F\\*2 to 2.54 2\\*5P-SH](#)  
[L=400mm](#) [EP-CBUSB10P2FLT](#) [1310-1033-01](#) [1310-1037-04](#) [ASR-USB](#) [68784-0075](#) [17-241361](#) [17-230471](#) [217B-BC02](#) [USB-29](#) [19800-](#)  
[010500-200-RS](#) [USB+MINI DIN 6P WITH BKT](#) [84729-0025](#)