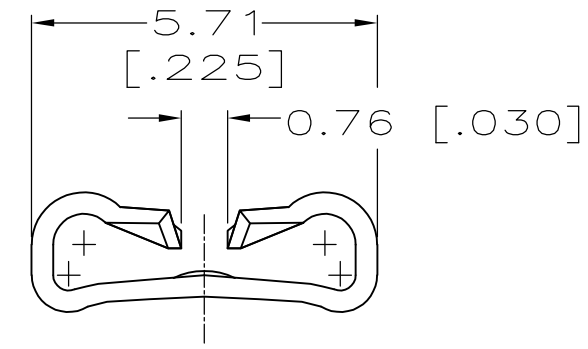
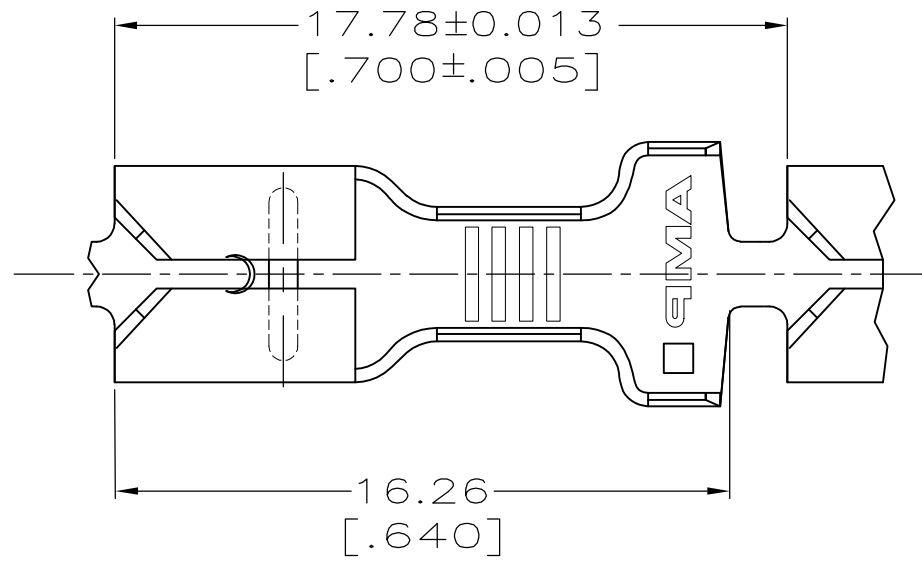


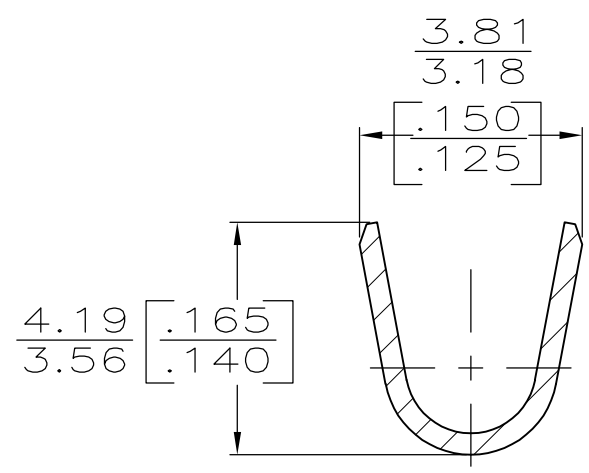
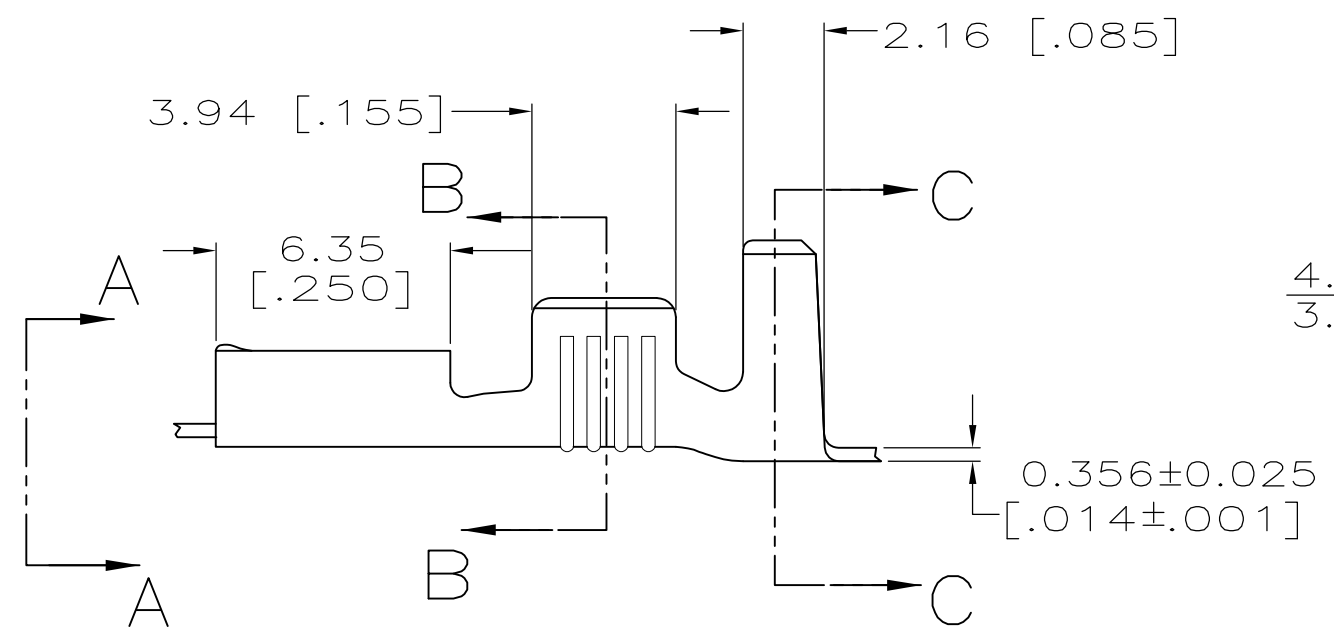
THIS DRAWING IS UNPUBLISHED. RELEASED FOR PUBLICATION
 © COPYRIGHT - By - ALL RIGHTS RESERVED.

LOC	DIST	REVISIONS			
P	LTR	DESCRIPTION	DATE	DWN	APVD
AF	50	E	REVISED PER ECR-12-013518	24NOV12	KH PD

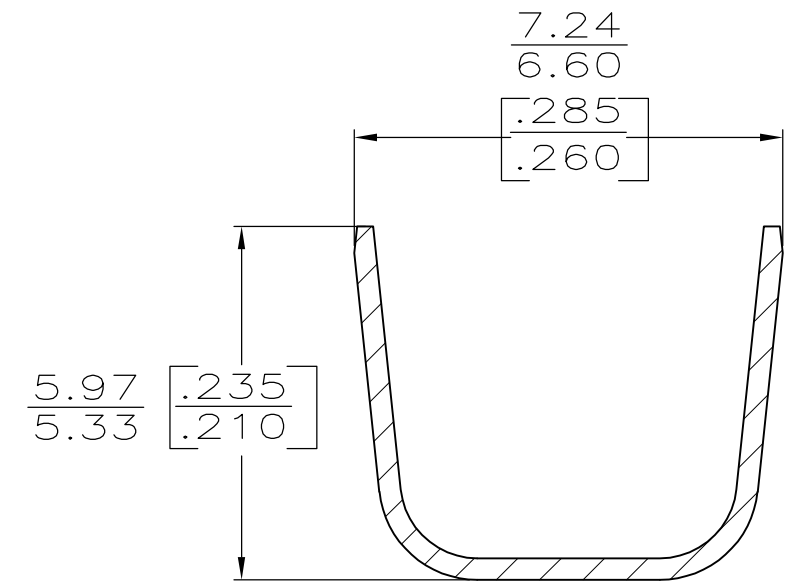


VIEW A-A
SCALE 8:1

- 1 CONTINUOUS STRIP ON REELS.
 - 2 MATING TAB THK TO BE 0.635±0.025[.025±.001]
 - 3 WIRE SIZE IS [#18-#14]AWG, OR TWO [#16'S].
 - 4 INSULATION RANGE IS 4.57-5.84 TWO AT 2.79 MAX, [.180-.230] OR TWO AT [.110 MAX].
- 5 OBSOLETE PARTS: OBSOLETE CIS STREAMLINING PER D.RENAUD/D.SINISI



SECTION B-B
SCALE 8:1



SECTION C-C
SCALE 8:1

5 OBSOLETE	TIN	63832-2
	FINISH	63832-1
	PART NUMBER	

THIS DRAWING IS A CONTROLLED DOCUMENT.		DWN	JR RUTH	3/17/95	TE Connectivity				
DIMENSIONS: mm [INCHES]		CHK	MS FEHER	3/17/95					
TOLERANCES UNLESS OTHERWISE SPECIFIED:		APVD	P DESANTIS	3/17/95	NAME				
0 PLC ± - 1 PLC ± - 2 PLC ± 0.25 [.010] 3 PLC ± - 4 PLC ± - ANGLES ± -		PRODUCT SPEC		RECEPTACLE, FASTON,™ 4.75 [.187] SERIES					
MATERIAL: BRASS		FINISH: SEE TABLE		APPLICATION SPEC: 114-2036		SIZE: A3	CAGE CODE: 00779	DRAWING NO: C-63832	RESTRICTED TO: -
CUSTOMER DRAWING				WEIGHT: -	SCALE: 5:1	SHEET: 1 OF 1	REV: E		

X-ON Electronics

Largest Supplier of Electrical and Electronic Components

Click to view similar products for [Terminals](#) category:

Click to view products by [TE Connectivity](#) manufacturer:

Other Similar products are found below :

[HT-13-10](#) [71M-250-32-NB](#) [01-2065-1-0216](#) [00581P0075](#) [M10-10RX](#) [M10BCK](#) [60205-1](#) [604200-1](#) [60598-1-CUT-TAPE](#) [60617-1-C](#) [60873-1](#) [M14-516R/SK](#) [M14-6RSX](#) [M18-10FLX](#) [M18-8FBX](#) [M18-8R/LX](#) [M18BCK](#) [61314-6-C](#) [61-S](#) [61-SN-A](#) [62-NBM-A](#) [63-S](#) [640179-1](#) [640917-2-CUT-TAPE](#) [6501550002](#) [66107-2-C](#) [66107-4-C](#) [696683-1](#) [696834-1](#) [696861-1](#) [696931-1](#) [696999-1](#) [M8-516RK](#) [M86700006](#) [MA250DMFMX-A](#) [701-2007](#) [701-2307](#) [701-7761-03](#) [70F-110-32-PB](#) [718-N-A](#) [71M-187-20-NBL](#) [71M-250-32-NBL](#) [72F-187-20-NBL](#) [72M-250-32-NBL](#) [7310](#) [73F-250-32](#) [73F-250-32-NBL](#) [73F-250-32-NL](#) [F14-10C](#) [F-1M](#)