

U.I. Lapp GmbH	<h1>DATASHEET</h1>	
	EPIC® KIT H-BE 6 SS TS M20	75009636 29.11.2013

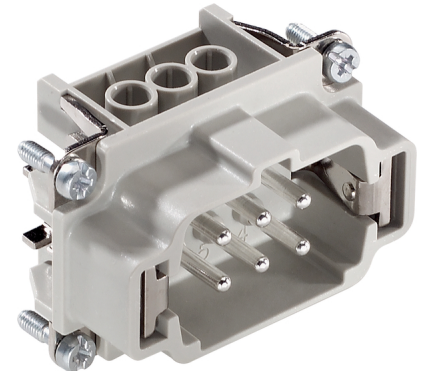
Standard inserts with screw termination, crimp termination and cage clamp termination
Standard inserts with screw, crimp and cage clamp termination
The EPIC® H-BE series is suitable for applications that require a reliable connection when working with high voltages and currents



Robust



Temperature-resistant



Info

Multifunctional insert for versatile applications
Screw, crimp and cage clamp version - freely combinable

Application range

Mechanical engineering
Light & sound technology
Plastics industry

Remark

Photographs are not to scale and do not represent detailed images of the respective products.

Technical Data

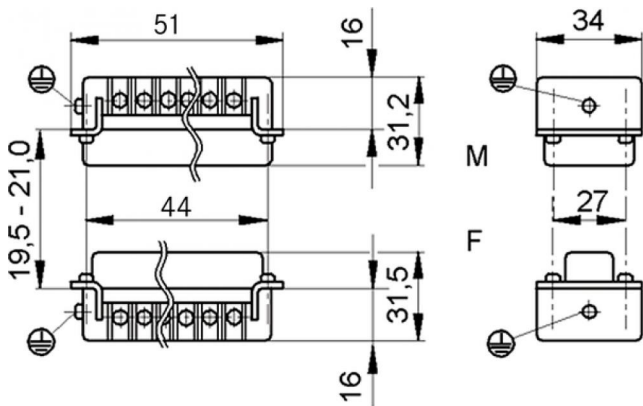
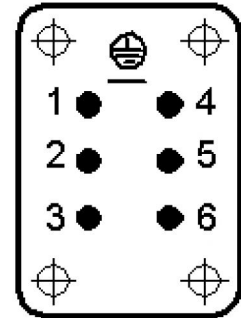
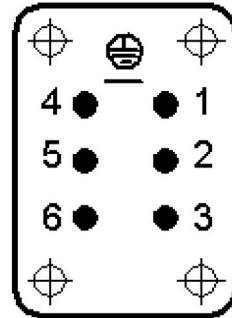
Article number:	75009636
Rated voltage (V):	IEC: 500 V UL: 600 V CSA: 600 V
Rated impulse voltage:	6 kV
Rated current (A):	IEC: 16 A UL: 16 A CSA: 16 A
Contact resistance:	< 2 mOhm
Contacts:	Copper alloy, hard silver-plated
Number of contacts:	6 + PE
Termination methods:	Screw termination: 0.5 - 2.5 mm ²
Cycle of mechanical operation:	100
Temperature range:	-40 °C to +100 °C, short-term up to +125 °C
VDE-tested:	Certified production control: VDE-REG. no.: B437 UL-tested: UL File Number: E75770
Degree of soiling:	3

Product Management	Document: EPIC® KIT H-BE 6 SS TS M20	1 / 4
--------------------	--------------------------------------	-------



M

F



U.I. Lapp GmbH	<h1>DATASHEET</h1>	
	EPIC® KIT H-BE 6 SS TS M20	75009636 29.11.2013

Housing design H-B. The industry standard.
The smallest housing out of the H-B series. For inserts with high electrical properties



Automation



Industrial machinery and plant engineering



Mechanical resistance



Robust



Waterproof



Info

Universal, robust metal housings size H-B 6

Application range

Plant engineering
Control engineering
Plastics industry

Product features

Hood, low version
Bolts for single lever
Side cable entry
Versions with neck

Remark

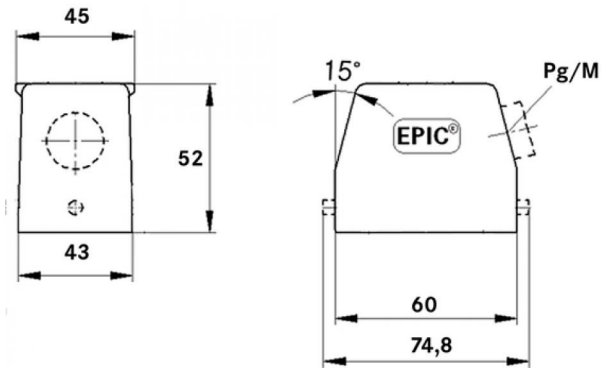
Photographs are not to scale and do not represent detailed images of the respective products.

Technical Data

Article number:	75009636
Material:	Housing: powder-coated aluminium alloy, grey Lever: zinc-plated steel Sealing: NBR
Protection rating:	IP 65 (latched)
Temperature range:	-40 °C to +100 °C, short-term up to +125 °C

Product Management	Document: EPIC® KIT H-BE 6 SS TS M20	3 / 4
--------------------	--------------------------------------	-------

U.I. Lapp GmbH	<h1>DATASHEET</h1>	 LAPP GROUP
	EPIC® KIT H-BE 6 SS TS M20	75009636 29.11.2013



Product Management	Document: EPIC® KIT H-BE 6 SS TS M20	4 / 4
--------------------	--------------------------------------	-------

X-ON Electronics

Largest Supplier of Electrical and Electronic Components

Click to view similar products for [Standard Circular Connector](#) category:

Click to view products by [Lapp Kabel](#) manufacturer:

Other Similar products are found below :

[C015](#) [10F006](#) [001](#) [1](#) [5M2530B10P](#) [600247N007](#) [600259N006](#) [600273N007](#) [600432N009](#) [6280-2PG-519](#) [6280-3PG-311](#) [6280-3SG-311](#)
[6280-7SG-3DC](#) [6280-7SG-522](#) [6282-5PG-311](#) [6282-6PG-519](#) [6282-8SG-311](#) [6283-11](#) [6283-15](#) [6290](#) [6293](#) [6382-2PG-311](#) [6382-2PG-3DC](#)
[6382-2SG-321](#) [6382-2SG-3DC](#) [6382-4SG-516](#) [67-03E20-37P](#) [681-PMG](#) [CXC3106A1811S](#) [CXS3102A14S2P](#) [CXS3102A181S](#)
[CXS3106A14S6S](#) [D38999/20FC8SA L/C](#) [MB12P-1](#) [MB12R-6](#) [7251-2PG-300](#) [7251-2SG-300](#) [7251-4PG-300](#) [7251-4SG-300](#) [7251-5PG-300](#)
[7251-5SG-300](#) [7251-6SG-300](#) [7251-7PG-300](#) [7251-8PG-300](#) [7271-6SG-300](#) [7282-3PG-300-CH3](#) [73000005663](#) [75-190011-03P](#) [75-190216-08S](#) [75-190218-10P](#) [75-214636-52P](#) [75-474118-10P](#) [75-474211-03P](#)