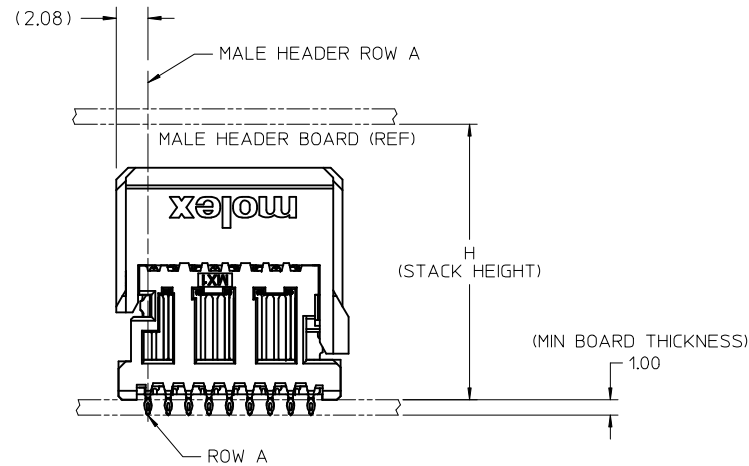
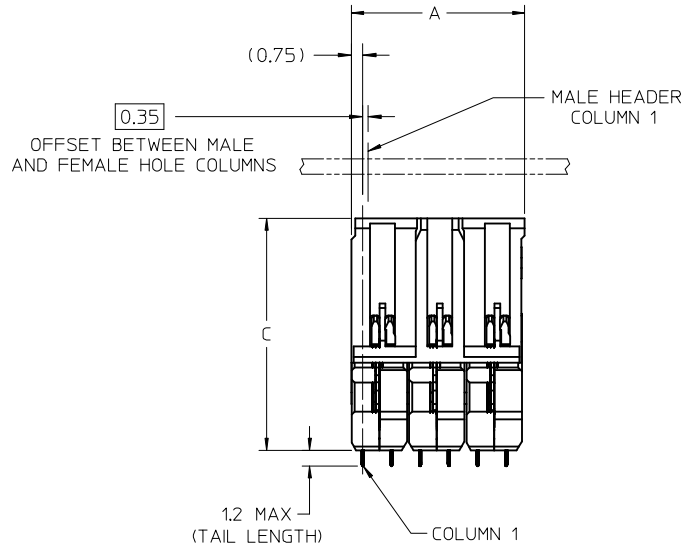
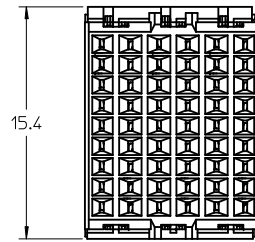


NOTES:

1. MATERIALS: HOUSING - LIQUID CRYSTAL POLYMER (LCP), GLASS-FILLED, UL94V-0
TERMINALS - HIGH PERFORMANCE COPPER ALLOY
2. FINISH: 30µIN SELECTIVE GOLD IN CONTACT AREA, SELECTIVE MATTE TIN OR
SELECTIVE TIN/LEAD ON PCB TAILS, NICKEL OVERALL.
3. EACH SIGNAL WAFER CONTAINS 2 COLUMNS OF TERMINALS.
4. PRODUCT SHALL BE PACKAGED PER PK-70873-0050 (18mm), PK-70873-0051 (22mm).
5. FOR FURTHER INFORMATION SEE PRODUCT SPECIFICATION PS-76060-999.
6. THIS PART CONFORMS TO CLASS B REQUIREMENTS OF COSMETIC SPEC PS-45499-002.
7. REFER TO MOLEX SALES DRAWING SD-76165-001 AND CUSTOM PIN-OUT SERIES 76162
FOR THE MATING HEADERS.
8. REFER TO MOLEX PCB ROUTING GUIDE AS-76060-990 FOR ANTIPAD AND ROUTING
RECOMMENDATIONS.
9. *THESE DIMENSIONS REPRESENT THE AREA NEEDED TO ACCOMMODATE CONNECTOR
INSERTION & REPAIR ON THE PC BOARD. THIS IS REFERRED TO AS THE
"CONNECTOR KEEP OUT ZONE" AND DOES NOT REPRESENT THE ACTUAL PERIMETER
OF THE CONNECTOR. WHEN LAYING OUT A PC BOARD WITH CONNECTORS STACKED
TOGETHER, USE A 1.90mm PROGRESSION.*



ADDED PIN A1 LOCs IEC NO: UCP2014-4720 DRWING: KRAUSE 2014/05/12 CHKD: [blank] APPR: TELO 2014/05/13	QUALITY SYMBOLS ▽=0 ▽=0 ▽=0	GENERAL TOLERANCES (UNLESS SPECIFIED)		DIMENSION STYLE MM ONLY		SCALE 4:1	DESIGN UNITS METRIC	THIRD ANGLE PROJECTION		
				DRAWN BY DATE TPREMO 2011/01/18		TITLE IMPACT 3-PAIR VERTICAL MEZZANINE UNGUIDED SALES DWG				
				CHECKED BY DATE JJONIAK 2011/01/18		MOLEX INCORPORATED DOCUMENT NO. SD-170415-001 SHEET NO. 1 OF 2				
				APPROVED BY DATE JB INGHAM 2011/04/04						
		MATERIAL NO.		SIZE		THIS DRAWING CONTAINS INFORMATION THAT IS PROPRIETARY TO MOLEX INCORPORATED AND SHOULD NOT BE USED WITHOUT WRITTEN PERMISSION				
		ANGULAR ±1/2°		SEE SHEET 2						
		DRAFT WHERE APPLICABLE MUST REMAIN WITHIN DIMENSIONS								

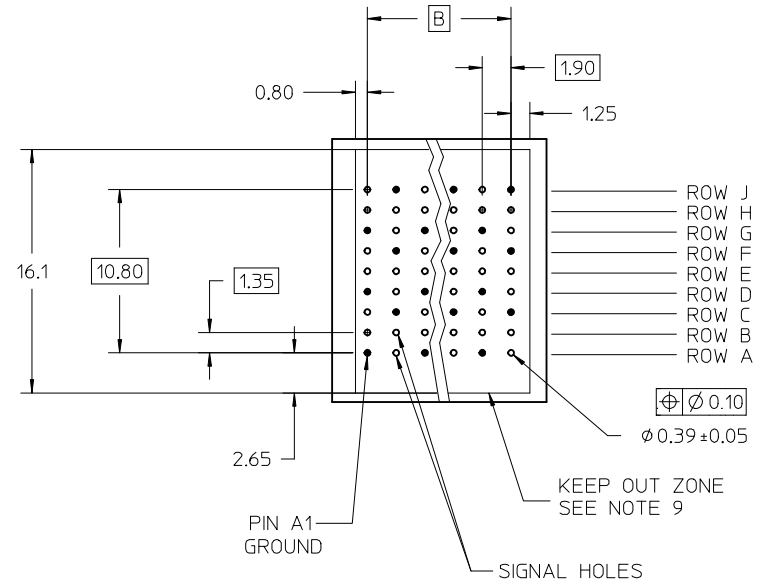
PART NUMBER	# OF COLUMNS	# OF DIFF PAIR	DIM "A"	DIM "B"	DIM "C"	STACK HEIGHT (H)
170415-1618	6	18	11.4	9.50	15.36	18.00
170415-1818	8	24	15.2	13.30	15.36	18.00
170415-1118	10	30	19.0	17.10	15.36	18.00
170415-1918	16	48	30.4	28.50	15.36	18.00
170415-1622	6	18	11.4	9.50	19.36	22.00
170415-1822	8	24	15.2	13.30	19.36	22.00
170415-1122	10	30	19.0	17.10	19.36	22.00
170415-1922	16	48	30.4	28.50	19.36	22.00

170415-1***

1 = OPEN LEAD-FREE

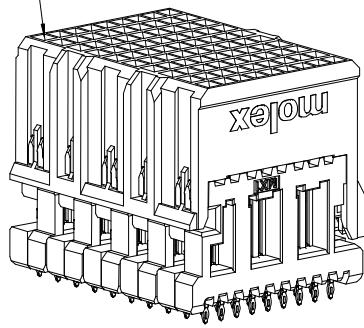
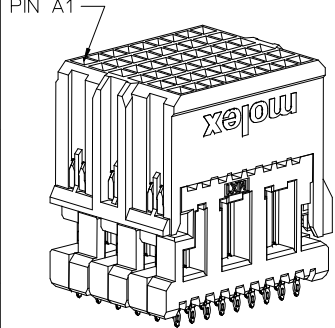
STACK HEIGHT
18 = 18mm
22 = 22mm

OF COLUMNS
6 = 6 COL 0.39 PTH
8 = 8 COL 0.39 PTH
1 = 10 COL 0.39 PTH
9 = 16 COL 0.39 PTH



6-COLUMN
18mm STACK HEIGHT

PIN A1
10-COLUMN
18mm STACK HEIGHT



REV	DESCRIPTION	QUALITY SYMBOLS	GENERAL TOLERANCES (UNLESS SPECIFIED)		DIMENSION STYLE MM ONLY	SCALE 4:1	DESIGN UNITS METRIC	THIRD ANGLE PROJECTION
			mm	INCH				
B2	SEE SHEET 1 EC NO: UCP2014-4720 DRAWN: KRAUSE 2014/05/12 CHKD: APPR: TELO 2014/05/13	▽=0 ▽=0 ▽=0	4 PLACES ± 0.10	± 0.10	TREMO 2011/01/18	TITLE	IMPACT 3-PAIR VERTICAL MEZZANINE UNGUIDED SALES DWG	SHEET NO. 2 OF 2
			3 PLACES ± 0.10	± 0.10	CHECKED BY JJONIAK 2011/01/18		MOLEX INCORPORATED	
			2 PLACES ± 0.25	± 0.25	APPROVED BY JB INGHAM 2011/04/04			
			1 PLACE ± 0.25	± 0.25				
			ANGULAR ± 1/2°					
			DRAFT WHERE APPLICABLE MUST REMAIN WITHIN DIMENSIONS		SEE CHART			

X-ON Electronics

Largest Supplier of Electrical and Electronic Components

Click to view similar products for [High Speed/Modular Connectors](#) category:

Click to view products by [Molex](#) manufacturer:

Other Similar products are found below :

[2332816-1](#) [89006-1137LF](#) [650827-1](#) [65762-001LF](#) [73474-201LF](#) [74040-1346](#) [74075-0267](#) [88911-201LF](#) [9514M0C20D](#) [1410191-1](#)
[1410337-1](#) [1410368-3](#) [1410964-2](#) [1410326-3](#) [1410367-3](#) [1410971-4](#) [1467833-1](#) [2000877-1](#) [2000878-1](#) [2041314-1](#) [2065387-1](#) [2187307-1](#)
[2187462-1](#) [2226278-6](#) [KA81-07](#) [91290-101LF](#) [1934290-1](#) [2000875-1](#) [2065917-1](#) [2102736-2](#) [FSR-40](#) [2169868-2](#) [2226279-2](#) [22354-8](#) [437-](#)
[5040-000](#) [5-1393565-0](#) [532449-3](#) [532803-2](#) [34745-0001](#) [0740618502](#) [0760151403](#) [0760551105](#) [0760551608](#) [0761451128](#) [0761651124](#)
[0761655108](#) [0761659807](#) [0769853208](#) [0736440217](#) [0758324203](#)