

B and E Series Crystal



- HC-49/US Thru-Hole Crystal
- Wide Frequency Range
- RoHS Compliant Available
- Low Profile Package
- Resistance Weld



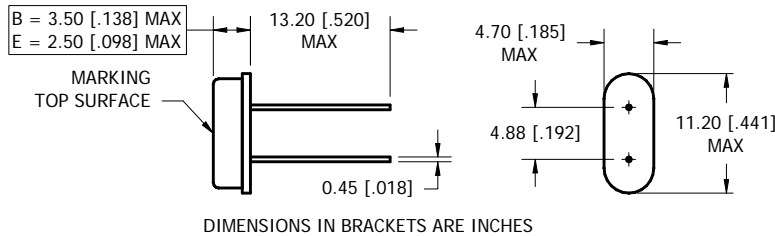
ELECTRICAL SPECIFICATIONS:

| | |
|---------------------------------|--|
| Frequency Range | 3.200MHz to 91.730MHz |
| Frequency Tolerance / Stability | (See Part Number Guide for Options) |
| Operating Temperature Range | (See Part Number Guide for Options) |
| Storage Temperature | -55°C to +125°C |
| Aging | ±5ppm / first year Max |
| Shunt Capacitance | 7pF Max |
| Load Capacitance | 20pF Standard (See Part Number Guide for Options) |
| Equivalent Series Resistance | See ESR Chart |
| Mode of Operation | Fundamental, or 3 rd OT |
| Drive Level | 1mW Max |
| Shock | MIL-STD-883, Meth 2002, Cond B |
| Solderability | MIL-STD-883, Meth 2003 |
| Solvent Resistance | MIL-STD-202, Meth 215 |
| Vibration | MIL-STD-883, Meth 2007, Cond A |
| Gross Leak Test | MIL-STD-883, Meth 1014, Cond C |
| Fine Leak Test | MIL-STD-883, Meth 1014, Cond A |

ESR CHART:

| Frequency Range | ESR (Ohms) | Mode / Cut |
|------------------------|------------|-------------------------|
| 3.200MHz to 4.999MHz | 200 Max | Fund / AT |
| 5.000MHz to 5.999MHz | 150 Max | Fund / AT |
| 6.000MHz to 7.999MHz | 120 Max | Fund / AT |
| 8.000MHz to 8.999MHz | 90 Max | Fund / AT |
| 9.000MHz to 9.999MHz | 80 Max | Fund / AT |
| 10.000MHz to 16.999MHz | 50 Max | Fund / AT |
| 17.000MHz to 24.999MHz | 40 Max | Fund / AT |
| 25.000MHz to 36.000MHz | 25 Max | Fund / AT |
| 24.000MHz to 34.999MHz | 100 Max | 3 rd OT / AT |
| 35.000MHz to 59.999MHz | 80 Max | 3 rd OT / AT |
| 60.000MHz to 91.730MHz | 60 Max | 3 rd OT / AT |

MECHANICALS DETAIL:

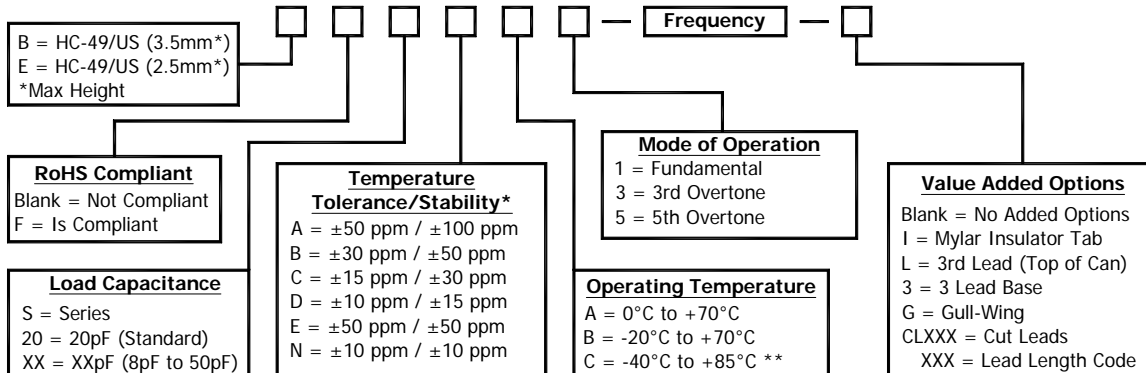


MARKING:

Line 1: MXX.XXX
XX.XXX = Frequency in MHz

Line 2: SYMCCCL
S = Internal Code
YM = Date Code (Year/Month)
CC = Crystal Parameters Code
L = Denotes RoHS Compliant

PART NUMBER GUIDE:



* Please consult with MMD sales department for any other parameters or options.
** Not all Frequency Tolerance/Stability options available at this temperature range.

MMD Components, 30400 Esperanza, Rancho Santa Margarita, CA, 92688
 Phone: (949) 709-5075, Fax: (949) 709-3536, www.mmdcomp.com
 Sales@mmdcomp.com

X-ON Electronics

Largest Supplier of Electrical and Electronic Components

Click to view similar products for [Crystals](#) category:

Click to view products by [ILSI](#) manufacturer:

Other Similar products are found below :

[CS325S24000000ABJT](#) [718-13.2-1](#) [MC405 32.0000K-R3:PURE SN](#) [FC-135R 32.7680KF-A3](#) [7A-40.000MAAE-T](#) [7B-27.000MBBK-T](#)
[FL2000085](#) [9B-15.360MBBK-B](#) [9C-7.680MBBK-T](#) [ASH7K-32.768KHZ](#) [AT-41.600MAGQ-T](#) [BTD1062E05A-513](#) [LFX TAL066198Cutt](#)
[9C-14.31818MBBK-T](#) [FA-238 50.0000MB30X-K3](#) [FC-12M 32.7680KA-AC3](#) [SSPT7F-9PF20-R](#) [FX325BS-38.88EEM1201](#)
[LFX TAL065253Cutt](#) [LFX TAL066431Cutt](#) [XT9S20ANA14M7456](#) [XT9SNLANA16M](#) [646G-24-2](#) [7A-24.576MBBK-T](#) [7B-30.000MBBK-T](#)
[WX26-32.768K-6PF](#) [9B-14.31818MBBK-B](#) [CD1AM](#) [7B-25.000MAAE-T](#) [7A-14.31818MBBK-T](#) [6504-202-1501](#) [6526-202-1501](#) [FA-118T](#)
[27.1200MB50P-K0](#) [FC-135R 32.7680KA-A3](#) [ABM12-104-37.400MHZT](#) [ABLS-10.000MHZ-D3W-T](#) [BTJ112E01E-513](#) [BTJ722K01C-7067](#)
[BTL-20-513](#) [TSX-3225 24.0000MF15X-AC](#) [TSX-3225 16.0000MF18X-AC](#) [BTJ120E02C](#) [BTL-12-513](#) [7A-10.000MBBK-T](#) [7A-](#)
[11.0592MBBK-T](#) [ABM12-103-24.000MHZT](#) [CS325S25000000ABJT](#) [ABM3B-25.000MHZ-B2-X-T](#) [FC-135 32.7680KA-A5](#) [FX0800015](#)