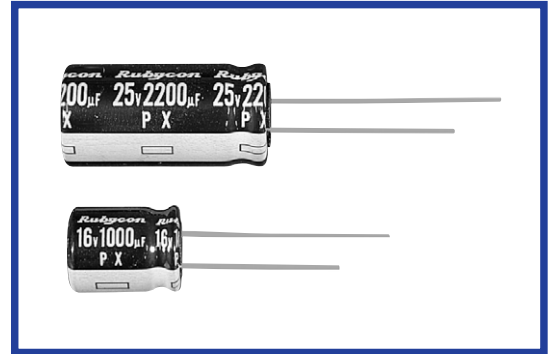


**PX SERIES**

105°C Standard

◆FEATURES

•RoHS compliance.



◆SPECIFICATIONS

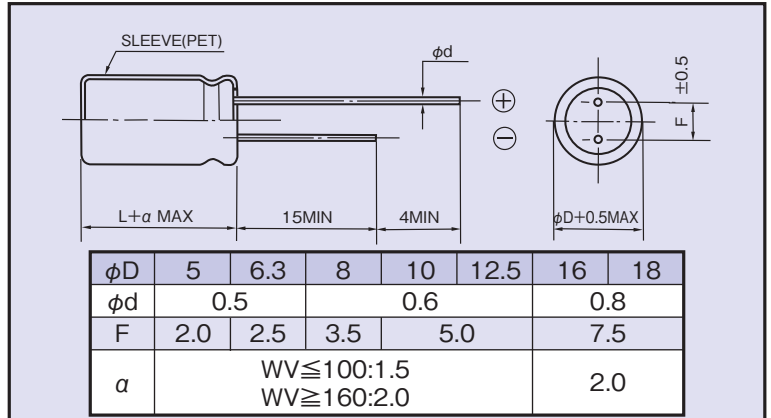
Items	Characteristics													
	-55~+105°C	-40~+105°C	-25~+105°C											
Category Temperature Range	-55~+105°C	-40~+105°C	-25~+105°C											
Rated Voltage Range	6.3~100V.DC	160~400V.DC	450V.DC											
Capacitance Tolerance	±20%(20°C, 120Hz)													
Leakage Current(MAX)	6.3~100V.DC		160~450V.DC											
	I=0.01CV or 3µA whichever is greater. (After 2 minutes application of rated voltage)		CV≤1000											
			CV>1000											
		I=0.1CV+40µA (1minute) I=0.03CV+15µA (5minutes)	I=0.04CV+100µA (1minute) I=0.02CV+25µA (5minutes)											
I=Leakage Current(µA) C=Capacitance(µF) V=Rated Voltage(V)														
Dissipation Factor(MAX) (tanδ)	Rated Voltage (V) 6.3 10 16 25 35 50 63 100 160 200 250 350 400 450 (20°C, 120Hz)													
	tanδ 0.28 0.24 0.20 0.16 0.14 0.12 0.10 0.08 0.20 0.20 0.20 0.25 0.25 0.25													
When capacitance is over 1000µF, tanδ shall be added 0.02 to the listed value with increase of every 1000µF.														
Endurance	After life test with rated ripple current at conditions stated in the table below at 105°C, the capacitors shall meet the following requirements.										Case Size		Life Time (hrs)	
	Capacitance Change		Within ±25% of the initial value.								φD≤8		1000	
	Dissipation Factor		Not more than 200% of the specified value.								φD≥10		2000	
Leakage Current		Not more than the specified value.												
Low Temperature Stability Impedance Ratio(MAX)	Rated Voltage (V) 6.3 10 16 25 35 50 63 100 160 200 250 350 400 450 (120Hz)													
	Z(-25°C)/Z(20°C) 5 4 3 2 2 2 2 2 3 3 4 6 6 7													
	Z(-40°C)/Z(20°C) 10 8 6 4 3 3 3 3 4 4 8 8 10 -													

◆MULTIPLIER FOR RIPPLE CURRENT

Frequency (Hz)	60(50)	120	500	1k	10k≤
0.47~1µF	0.50	1.00	1.20	1.30	1.50
2.2~4.7µF	0.65	1.00	1.20	1.30	1.50
10~47µF	0.80	1.00	1.20	1.30	1.50
100~1000µF	0.80	1.00	1.10	1.15	1.20
2200~33000µF	0.80	1.00	1.05	1.10	1.15

◆DIMENSIONS

(mm)



◆OPTION

	Code
PET Sleeve	EFC

◆PART NUMBER

□□□
PX
□□□□□
M
□□□
□□
D×L  
 Rated Voltage    Series    Capacitance    Capacitance Tolerance    Option    Lead Forming    Case Size



## X-ON Electronics

Largest Supplier of Electrical and Electronic Components

*Click to view similar products for [Aluminum Electrolytic Capacitors - Leaded](#) category:*

*Click to view products by [Rubycon](#) manufacturer:*

Other Similar products are found below :

[LXY50VB4.7M-5X11](#) [MAL203125221E3](#) [MAL204216159E3](#) [ESMG101ETD100MF11S](#) [RBC-25V-10UF-4X7](#) [RE3-35V222MJ6#](#) [RFO-100V471MJ7P#](#) [B41041A2687M8](#) [B41041A7226M8](#) [B41044A7157M6](#) [EKRG250ELL100MD07D](#) [EKXG201EC3101ML20S](#)  
[EKXG351ETD6R8MJ16S](#) [EKZM160ETD471MHB5D](#) [EPA-201ELL151MM25S](#) [NCD681K10KVY5PF](#) [NRLF103M25V35X20F](#)  
[KM4700/16](#) [KME50VB100M-8X11.5](#) [RXJ222M1EBK-1625](#) [SG220M1CSA-0407](#) [ES5107M016AE1DA](#) [ESX472M16B](#) [MAL211929479E3](#)  
[40D506F050DF5A](#) [TE1202E](#) [36DA273F050BB2A](#) [KME25VB100M-6.3X11](#) [511D336M250EK5D](#) [511D337M035CG4D](#)  
[515D477M035CG8PE3](#) [052687X](#) [EKMA500ELL4R7ME07D](#) [EKRG100ETC221MF09D](#) [NRE-S560M16V6.3X7TBSTF](#)  
[ERZA630VHN182UP54N](#) [MAL214099813E3](#) [MAL211990518E3](#) [MAL204281229E3](#) [NEV680M35EF](#) [686KXM050M](#) [ERS1VM222L30OT](#)  
[EGW2GM150W16OT](#) [EGS2GM6R8G12OC](#) [EHS2GM220W20OT](#) [ERF1VM222L30OT](#) [ERF1KM151G20OT](#) [EKZE500ELL101MHB5D](#)  
[EKMM251VSN221MP25S](#) [RGA221M1HBK-1016G](#)