

# Totalizers mechanic

Stroke, meter and revolution counter

Display 5-digits, manual reset by lever

H 410, M 410, U 410, M 411, U 411



H 410 - Stroke counter



M 410 - Meter counter



U 410 - Revolution counter

## Features

- Stroke, meter and revolution counter
- Adding
- Display 5-digits
- Reset by lever

## Technical data - mechanical design

Number of digits	5-digits
Digit height	7 mm
Reset	Manual by reset lever. Do not let snap or make jerky movements.
Operating temperature	0...+60 °C
Housing type	Surface mount housing with mounting plate
Housing colour	Grey
Dimensions W x H x L	106 x 64 x 45 mm
Dimension mounting plate	120 x 64 mm
Mounting	Base plate, 4 mounting holes
Weight approx.	380 g
Materials	Housing: Hostaform POM, grey Base plate: Steel zinc-coated

## H 410

Function	Stroke counter
Display	White numbers on black
Count mode	Adding in a stroke direction to be indicated. 1 stroke = 1 count
Drive shaft	Both sides, $\varnothing 7$ mm
Stroke	$>38^\circ$ to $<60^\circ$
Stroke lever	To be positioned on shaft at will. Stroke lever relocates automatically to start position.
Stroke frequency	$<500$ strokes/min
Measuring range	99 999

# Totalizers mechanic

## Stroke, meter and revolution counter

### Display 5-digits, manual reset by lever

H 410, M 410, U 410, M 411, U 411

#### Technical data - mechanical design

##### M 410

Function	Meter counter
Display	White numbers on black Decimal digits in red
Count mode	Adding in a rotational direction to be indicated, subtracting in reverse direction. See part number key
Drive shaft	Both sides, $\varnothing 7$ mm
Measuring speed	<200 m/min (measuring wheel)
Measuring precision	1 dm, 1 cm
Measuring range	9999.9 m

##### U 410

Function	Revolution counter
Display	White numbers on black
Count mode	Adding in a rotational direction to be indicated, subtracting in reverse direction. 1 rev. = 1 count
Drive shaft	Both sides, $\varnothing 7$ mm
Operating speed	$\leq 3000$ rpm
Measuring range	99 999

##### M 411

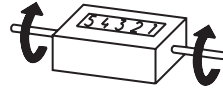
Function	Meter counter
Display	White numbers on black Decimal digits in red
Count mode	Adding in a rotational direction to be indicated, subtracting in reverse direction. See part number key
Drive shaft	Centered below, $\varnothing 7$ mm
Measuring speed	<60 m/min
Measuring precision	1 dm
Measuring range	9999.9 m

##### U 411

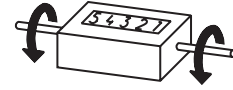
Function	Revolution counter
Display	White numbers on black
Count mode	Adding in a rotational direction to be indicated, subtracting in reverse direction. 1 rev. = 1 count
Drive shaft	Centered below, $\varnothing 7$ mm
Operating speed	$\leq 1000$ rpm
Measuring range	99 999

#### Direction of strokes and rotation

##### H 410, M 410, U 410

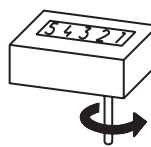


Away from user  
Sense of rotation or stroke direction I

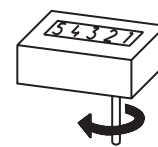


Towards user  
Sense of rotation or stroke direction II

##### M 411, U 411



Sense of rotation I



Sense of rotation II

#### Accessories

##### Measuring wheels for M 410, M 411

MR512.07A	Circumference 50 cm, knurled aluminium
MR542.07D	Circumference 50 cm, smooth Hytrel TPE-E
MR552.07A	Circumference 50 cm, smooth Vulkollan PUR
MR562.07A	Circumference 50 cm, knopped rubber NBR Nitril
MR592.07D	Circumference 50 cm, grooved Hytrel TPE-E

# Totalizers mechanic

## Stroke, meter and revolution counter

### Display 5-digits, manual reset by lever

H 410, M 410, U 410, M 411, U 411

#### Ordering part number

H 410. 010 A 02

Display / direction of stroke  
 A 5-digits 99 999 / I  
 B 5-digits 99 999 / II  
Count mode / drive  
 02 1 stroke = 1 digit / drive shaft on both sides  
Housing  
 A Surface mount housing, grey  
Reset  
 010 With reset lever

M 411. 010 A 03

Display / direction of rotation  
 C 5-digits 9999.9 / I  
 D 5-digits 9999.9 / II  
Count mode / drive  
 03 2 revolutions = 10 digits = 1.0 m / drive shaft at bottom  
Housing  
 A Surface mount housing, grey  
Reset  
 010 With reset lever

U 411. 010 A 01

Display / direction of rotation  
 A 5-digits 99 999 / I  
 B 5-digits 99 999 / II  
Count mode / drive  
 01 1 revolution = 1 digit / drive shaft at bottom  
Housing  
 A Surface mount housing, grey  
Reset  
 010 With reset lever

M 410. 010

Display / direction of rotation  
 C 5-digits 9999.9 / I  
 D 5-digits 9999.9 / II  
 E 5-digits 999,99 / I  
 F 5-digits 999,99 / II  
 G 5-digits 9999.95 / I  
 H 5-digits 9999.95 / II  
Count mode / drive  
 02 1 revolution = 10 digits = 1.0 m / drive shaft on both sides  
 03 2 revolutions = 10 digits = 1.0 m / drive shaft on both sides  
 04 5 revolutions = 10 digits = 1.0 m / drive shaft on both sides  
 06 5 revolutions = 100 digits = 1.0 m / drive shaft on both sides  
 07 2 revolutions = 100 digits = 1.0 m / drive shaft on both sides  
Housing  
 A Surface mount housing, grey  
 B Surface mount housing with hinge plate  
Reset  
 010 With reset lever

U 410. 010 A

Display / direction of rotation  
 A 5-digits 99 999 / I  
 B 5-digits 99 999 / II  
Count mode / drive  
 01 1 revolution = 1 digit / drive shaft on both sides  
 02 1 revolution = 10 digits / drive shaft on both sides  
Housing  
 A Surface mount housing, grey  
Reset  
 010 With reset lever

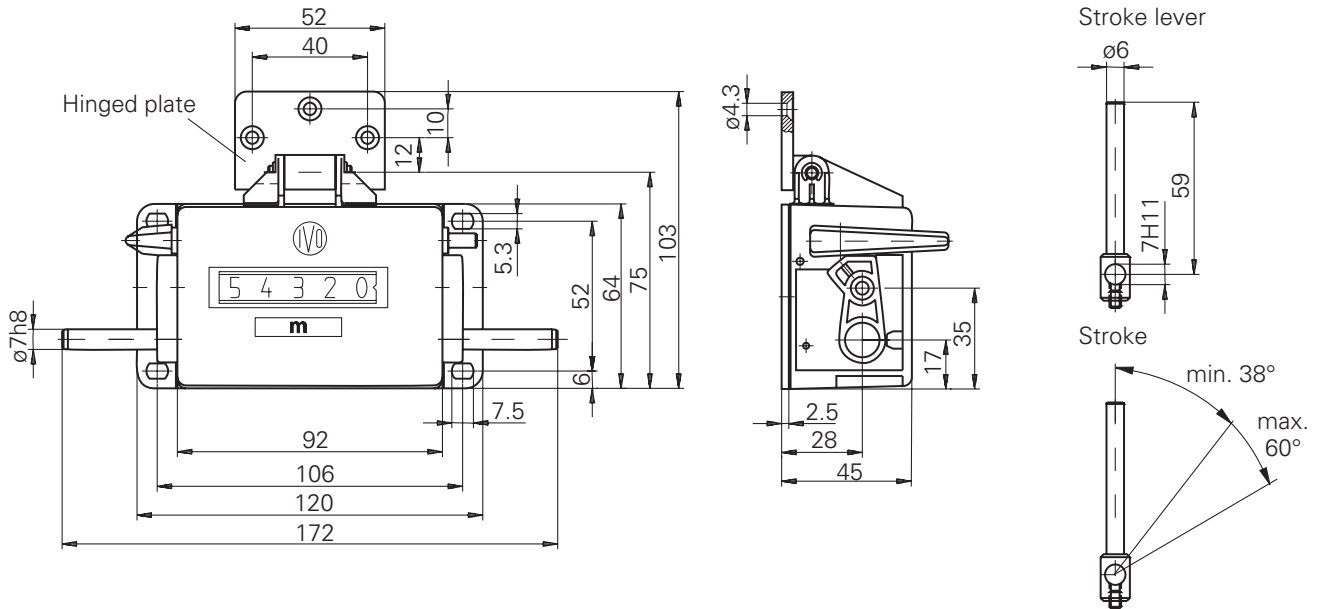
# Totalizers mechanic

Stroke, meter and revolution counter  
Display 5-digits, manual reset by lever

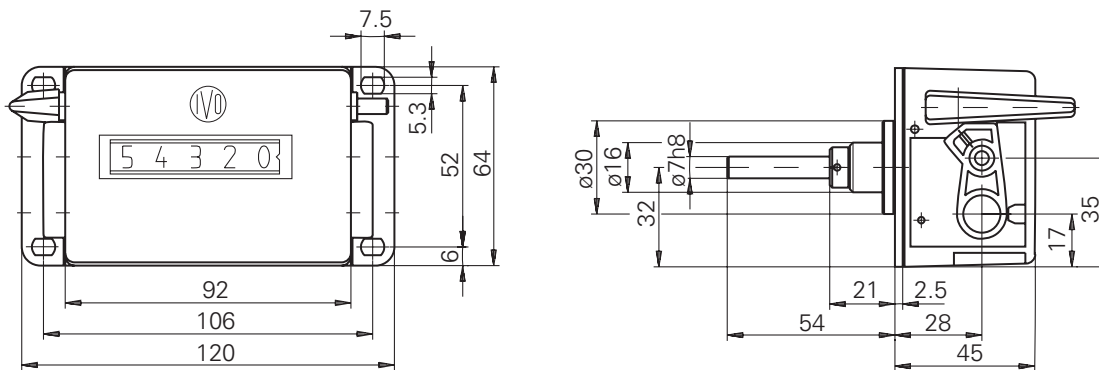
H 410, M 410, U 410, M 411, U 411

## Dimensions

### H 410, M 410, U 410



### M 411, U 411



## X-ON Electronics

Largest Supplier of Electrical and Electronic Components

*Click to view similar products for [Counters & Tachometers](#) category:*

*Click to view products by [Baumer](#) manufacturer:*

Other Similar products are found below :

[LC2H-FE-2K-N](#) [H7CN-XLN DC12-48](#) [LC24-F-N](#) [H7CXAWD1NDC1224AC24](#) [H7ER-NV1-H](#) [H7CX-A114S-N AC100-240](#) [H7CX-AWSD-N-DC12-24](#) [H7CX-AU-N AC100-240](#) [GPMZC-SET](#) [CX6S-1P2F](#) [CX6S-1P4F](#) [CX6S-2P2F](#) [CX6S-2P4F](#) [H127.010A01H](#) [H5KLR-11 100-240V AC/DC](#) [H7CX-AUD1-N](#) [H7CX-AW-N](#) [3.550.401.075](#) [3.550.401.351](#) [LC2H-C-2K-N](#) [LC2H-C-30-N](#) [LC2H-F-DL-2KK](#) [LC4H-R4-AC240VS](#) [LC4H-R6-AC240V](#) [1.150.510.012.550](#) [1.150.510.054.550](#) [1.150.510.056.550](#) [6.520.012.300](#) [6.560.010.300](#) [SLE-73-1400-1-4-01](#) [SLIK-94-1521-1-3-001](#) [SLN-94-1421-1-3](#) [SPI-73-1411-1-3-011](#) [CT6S-1P4](#) [Y-50](#) [LC4H-R4-AC24V](#) [LC4H-R4-DC24V](#) [CT6S-2P4](#) [LC2H-F-DL-2KK-B](#) [LC2H-FE-DL-2KK-B](#) [LC2H-FE-FV-30](#) [H127.010A01G](#) [H5KLR-8B 12-48 AC/DC](#) [H7CX-A11-N](#) [H7CX-AD-N](#) [H7CX-AU-N](#) [H7ER-NV1](#) [H8DA 12-48V AC/DC](#) [87622062](#) [99776901](#)