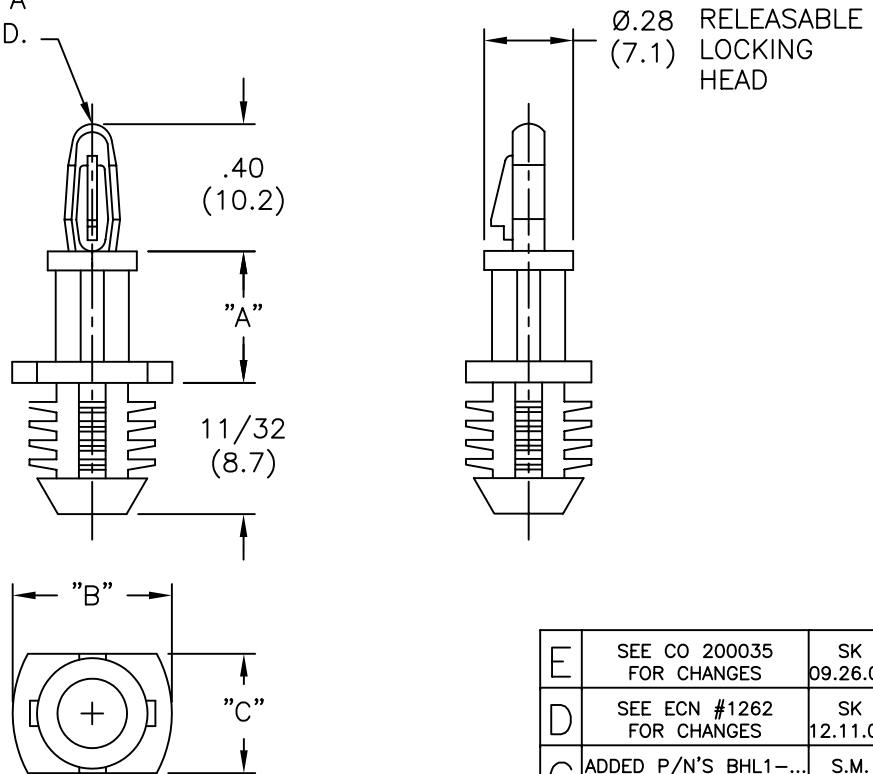


PART NO.	"A"±.015 (±0.4)	"B"±.015 (±0.4)	"C"±.015 (±0.4)	HOLE DIA. ±.003 (±0.08)	PANEL THICKNESS
BHL-3-01	3/16 (4.8)	7/16 (11.1)	5/16 (7.9)	.312 (7.92)	1/4 (6.4) MIN.
BHL-4-01	1/4 (6.4)				
BHL-6-01	3/8 (9.5)				
BHL-7-01	7/16 (11.1)				
BHL-8-01	1/2 (12.7)				
BHL-10-01	5/8 (15.9)				
BHL-12-01	3/4 (19.1)				
BHL-14-01	7/8 (22.2)				
*BHL1-3-01	3/16 (4.8)	3/8 (9.5)	17/64 (6.7)	.250 (6.35)	1/4 (6.4) MIN.
*BHL1-4-01	1/4 (6.4)				
*BHL1-6-01	3/8 (9.5)				
*BHL1-7-01	7/16 (11.1)				
*BHL1-8-01	1/2 (12.7)				
*BHL1-10-01	5/8 (15.9)				
*BHL1-12-01	3/4 (19.1)				
*BHL1-14-01	7/8 (22.2)				

*PART AVAILABLE BY SPECIAL ORDER ONLY

TO SNAP LOCK IN .156±.003
(4.00±0.08) DIA. HOLE IN A
.062 (1.57) THICK BOARD.



NOTES:

- MATERIAL: NYLON 6/6 UL 94 V-2 (RMS-01).
NYLON 6/6 UL 94 V-0 (RMS-19),
AVAILABLE BY SPECIAL ORDER ONLY.
- COLOR: NATURAL.

E	SEE CO 20035 FOR CHANGES	SK 09.26.07
D	SEE ECN #1262 FOR CHANGES	SK 12.11.06
C	ADDED P/N'S BHL1-... & CHANGED FILE NO.	S.M. 08.10.01
B	MAT'L RMS-19 ADDED	J.L. 12.18.97
A	GIVEN NEW FILE NUMBER	JB 08.31.95
REV	DESCRIPTION	ENGR DATE

TITLE: BLIND HOLE LOCKING CKT. BD. SUPPORT (BHL)



TOLERANCES UNLESS NOTED .XX=±.010 .XXX=±.005 FRAC=±1/64 ANG=±1'	FILE # BHL	DWN: R.S	APP:	FINAL	
	MAT'L: SEE NOTES	DT: 10-08-93	DT:	PART #	PRINT
RE: RICHCO, INC.	RICHCO INC. PO BOX 804238, CHICAGO, 60680 (773) 539-4060			SEE TABLE	TYPE CA

X-ON Electronics

Largest Supplier of Electrical and Electronic Components

Click to view similar products for [Electrical Enclosure Accessories](#) category:

Click to view products by [Richco](#) manufacturer:

Other Similar products are found below :

[60121-06-028 C-325 Black](#) [71884-04-028 CM3-100 Black](#) [71884-18-028 LH43-200 Black](#) [71884-24-028 LH75-200 Black](#) [71885-01-028 CM6-150 Black](#) [72459-02-028 DM-3 BLACK](#) [81501-01-000 XPL, 9VB Black](#) [82402-01 PT-8 ALUM](#) [1335GSKT3](#) [14101FP-PK](#) [CB-1263-BT](#) [1611512-4](#) [HB-11498](#) [RC-7775](#) [HM BLACK PANEL](#) [61033-01-000](#) [115123-01-508 CN-RL RS](#) [115124-01-508 CN-XRL XRS](#) [115119-01-000 CN-RL RS](#) [115123-01-000 CN-RL RS](#) [60121-04-028 C-275 Black](#) [60128-01-072](#) [60222-01-028 CM6-225 Black](#) [60272-01-028 CM3-150 Black](#) [60851-01-028 CM69-120 Black](#) [62291-502-000-KEU-10-BLK](#) [62452-01-000 HML-9VB, EB Black](#) [71884-25-028 LH89-130 Black](#) [AXX2POSTBRCKT](#) [FUPMESK](#) [71884-23-028 LH75-130 Black](#) [1317GSKTSC](#) [8G813V40389](#) [DVA.1-10-15-M4-10-70](#) [DVC.1-60-49-60-M10-28-55](#) [DVC.1-15-8,5-15-M4-10-40](#) [DVC.1-20-12-30-M6-18-40](#) [DVC.1-30-18-25-M8-20-40](#) [DVC.1-35-31-15-M8-20-40](#) [DVC.1-35-31-15-M8-20-70](#) [DVC.1-75-60-40-M12-37-70](#) [DVC.2-30-22-20-M8-20-55](#) [DVC.2-40-30-25-M8-23-55](#) [DVC.2-75-60-40-M12-37-55](#) [DVC.2-21-16-22-M6-18-40](#) [DVC.2-40-20-48-M8-23-40](#) [DVC.2-40-32-50-M8-23-40](#) [DVC.2-20-14-19-M6-18-70](#) [DVC.2-25-18-20-M6-18-70](#) [DVC.3-20-14-20-M6-40](#) [DVC.3-20-14-30-M6-40](#)