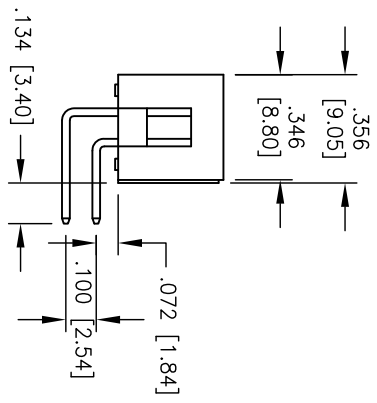
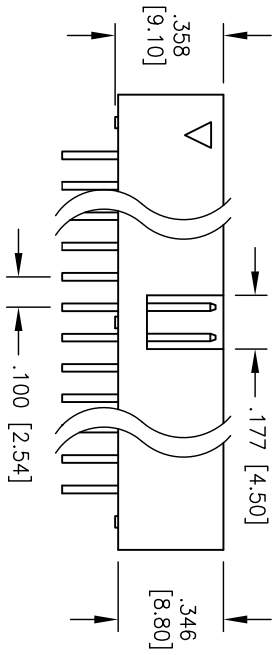
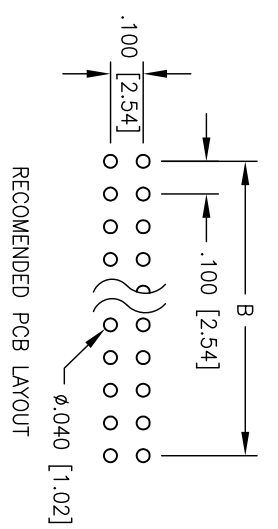
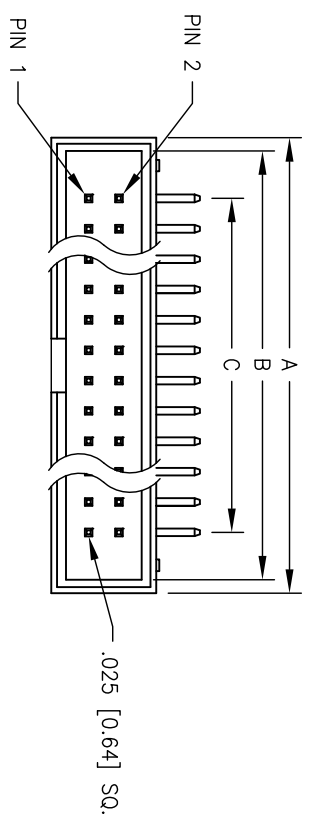


Rev	AWO #	Description	Date	Appr
-		RELEASED	7/28/04	

APPROVED: _____
 DATE: _____ TITLE: _____



SPECIFICATION:

Material:
 Insulator: PBT, rated UL-94V-0
 Contacts: Brass
Contact Plating:
 Gold Flash over Nickel underplate overall
Electrical:
 Current rating: 3 Amps max.
 Contact resistance: 20 mohms max
 Insulation resistance: 5000 Mohms min
 Dielectric withstanding voltage: 500 VAC / minute
Temperature Rating:
 Operating temperature: -40° TO +105°
 Environmental:
 Lead free, RoHS compliant.

A = .100 [2.54] X No. of Positions / 2 + .300 [7.60]
 B = .100 [2.54] X No. of Positions / 2 + .200 [5.08]
 C = .100 [2.54] X No. of Spaces

ADAM TECH

909 Rahway Avenue, Union, NJ 07083
 Phone: 908-687-5000 Fax: 908-687-5710

TITLE
 BOX HEADER, RIGHT ANGLE PCB MOUNT,
 2 ROW, .100 PITCH, GOLD FLASH PLATED

UNLESS OTHERWISE SPECIFIED ALL DIMENSIONS ARE IN INCHES [MM] TOLERANCES: EXCEPT AS NOTED INCHES		APPROVALS	
X	± .10	DATE	
XX	± .020		
XXX	± .015		
	Ø .10		
	Ø .020		
	Ø .015		
	Ø .015		
DRAWN	SS	DATE	7/28/04
CHECKED			
APPROVED			

SIZE	PART NO.	REV.
X	BHR-XX-HUA	-

SCALE: NTS SHEET 1 OF 1

6

5

4

3

2

1

X-ON Electronics

Largest Supplier of Electrical and Electronic Components

Click to view similar products for [Headers & Wire Housings](#) category:

Click to view products by [Adam](#) manufacturer:

Other Similar products are found below :

[95000-104TRLF](#) [10135584-644402LF](#) [DF62W-EP2022PCA](#) [95000-106TRLF](#) [DF62W-2022SCA](#) [DF62W-EP2022PC](#) [2203348](#) [DF62W-2022SC](#) [1084018](#) [1029039](#) [1084017](#) [802-10-012-10-002000](#) [1112640](#) [1112639](#) [000-34000](#) [0008550134](#) [0009482033](#) [0009507031](#) [57102-F02-18ULF](#) [57102-S06-03LF](#) [57202-S52-04LF](#) [PCN6-15S-2.5E](#) [0039019024](#) [58102-G61-06LF](#) [582553-1](#) [0009485154](#) [0009508121](#) [0022285053](#) [0050291907](#) [018731A](#) [LY20-4P-DT1-P1E-BR](#) [02.125.8002.8](#) [60101931](#) [60598-1 \(Cut Strip\)](#) [M1625-3R/100](#) [61062-3](#) [61082-181009](#) [CSU011177004](#) [636-1427](#) [638009-1](#) [641938-9](#) [641991-4](#) [644168-1](#) [644827-2](#) [647662-1](#) [65039-019ELF](#) [65692-001LF](#) [65781-018](#) [65781-047](#) [65817-002LF](#)