



F&F Filipowski sp. j
ul. Konstytucyjna 79/81
95-200 Pabianice POLAND
tel/fax 48 42 2270971
e-mail: fif@fif.com.pl

BIS-412

ELECTRONIC BI-STABLE PULSE RELAY hotel-type

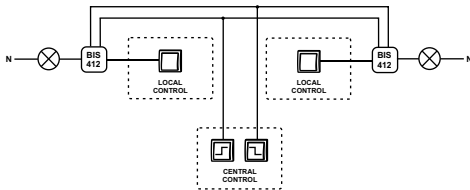


www.fif.com.pl

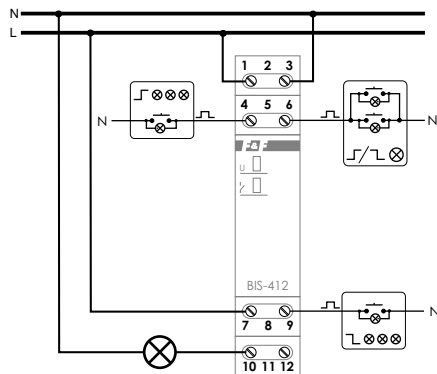
F&F products are covered by a 24 months warranty from date of purchase

PURPOSE

BIS- 412 electronic bi-stable pulse relay is designed for operation in a group configuration. A single relay enables the activation and deactivation of the receiver controlled after each current pulse triggered by pushing a local control momentary push-button (bell-push). The group configuration enables the deactivation or activation of all receivers connected to individual relays by means of the central control push-buttons.



WIRING DIAGRAM



ASSEMBLY

1. Turn OFF the power.
2. Put on the relay on the rail in the switchgear box.



Don't install a unit which is broken or incomplete.

3. Connect the power cable to joint 1-3 with marks.



Groups of the relay working from common central control must be supplied from the same phase e.g. only L1.

FUNCTIONING

Switch ON the relay is sign by shine of green LED.

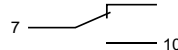
Central control

DEACTIVATE ALL - after a current pulse triggered by pushing the momentary push-button, all receivers will be deactivated (regardless of their status, i.e. deactivation or activation) that are controlled separately by individual relays. The contact in each relay will be switched to the 7-12 position.

ACTIVATE ALL - after a current pulse triggered by pushing the momentary push-button, all receivers will be activated (regardless of their status, i.e. deactivation or activation) that are controlled separately by individual relays. The contact in each relay will be switched to the 7-10 position.

Connect description.

- 1-3 supply 230V (L-N)
- 6 local control- activate/deactivate
- 4 central control - activate all
- 9 central control - deactivate all
- 7-10-12 separate switch joint 1P



Control inputs can be supplied only from neutral cable (N).



During while control fix SHOULD KEEP ON A SPECIFIC CARE Incorrect connection can make electric shock and/or broke control or supply.

4. Control local and central control switches connect to joint accordance with function and to cable N.

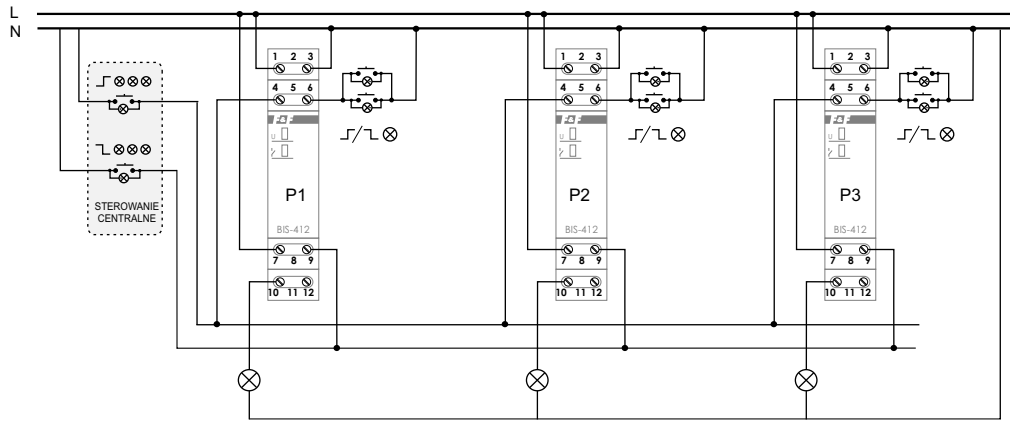


Connecting to control inputs the relays different "zeros" N can make a wrong work of system and short circuit in system and broke the controls.

5. In the control supplied circuit of receiver (light), connect to in series the relay joint (connect the power to joint 7, a control receiver connect to between joint 10 and cable N).
6. Turn ON the power.

TECHNICAL DATA

supply	230V AC
current load	<16A
activation delay	<0,2sec
sygnalling of supply	green LED
sygnalling of activation	red LED
power consumption	0,8W
connection	screw terminals 2,5mm ²
working temperature	-25÷50°C
dimensions	1 module (18mm)
fixing	on the rail TH-35



Group-type circuit diagram



Diagram

A090615

X-ON Electronics

Largest Supplier of Electrical and Electronic Components

Click to view similar products for [General Purpose Relays](#) category:

Click to view products by [F&F](#) manufacturer:

Other Similar products are found below :

[APF30318](#) [JVN1AF-4.5V-F](#) [PCN-105D3MHZ](#) [5JO-10000S-SIL](#) [5JO-1000CD-SIL](#) [5JO-400CD-SIL](#) [LY2S-AC220/240](#) [LYQ20DC12](#)
[6031007G](#) [6131406HQ](#) [6-1393099-3](#) [6-1393099-8](#) [6-1393122-4](#) [6-1393123-2](#) [6-1393767-1](#) [6-1393843-7](#) [6-1415012-1](#) [6-1419102-2](#) [6-](#)
[1423698-4](#) [6-1608051-6](#) [6-1608067-0](#) [6-1616170-6](#) [6-1616248-2](#) [6-1616282-3](#) [6-1616348-2](#) [6-1616350-1](#) [6-1616350-8](#) [6-1616358-7](#) [6-](#)
[1616359-9](#) [6-1616360-9](#) [6-1616931-6](#) [6-1617039-1](#) [6-1617052-1](#) [6-1617090-2](#) [6-1617090-5](#) [6-1617347-5](#) [6-1617353-3](#) [6-1617801-8](#) [6-](#)
[1617802-2](#) [6-1618107-9](#) [6-1618248-4](#) [M83536/1-027M](#) [CX-4014](#) [MAHC-5494](#) [MAVCD-5419-6](#) [703XCX-120A](#) [7-1393100-5](#) [7-1393111-7](#)
[7-1393144-5](#) [7-1393767-8](#)