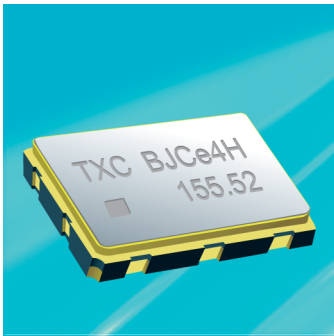


## 7 x 5 mm SMD LVPECL VCXO BJ SERIES



### Features

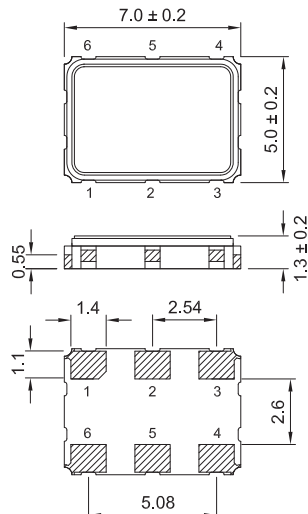
- > Voltage Controlled Crystal Oscillator (VCXO).
- > Fundamental solution.
- > PECL output, output frequencies 60 MHz to 220 MHz.
- > Excellent low phase noise and jitter.
- > Tri-State function available.
- > Applications : SDH/ SONET.
- > RoHS Compliant / Pb Free.

### Electrical Specifications

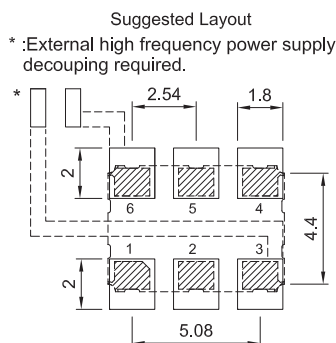
Item / Type	BJ
Output Type	LVPECL
Output Load	50 to VDD - 2 V
Oscillation Mode	Fundamental
Supply Voltage	3.3 V
Frequency Range	60 ~ 220 MHz
Frequency Stability / Operating Temperature	± 50 ppm / - 40 ~ + 85 °C
Storage Temperature Range	- 55 ~ + 125 °C
Voltage Vol ( Max. ) / Voh ( Min. )	VDD - 1.62 V / VDD - 1.025 V
Rise ( Tr ) / Fall ( Tf ) Time ( 20 % ~ 80 % )	1 ns Max.
Supply Current	80 mA
Symmetry	45 ~ 55 %
Start-up Time	10 ms Max.
Absolute Pulling Range ( APR ) *	± 100 ppm Min. or specify
Nominal Control Voltage	1.65 V
Control Voltage Range	0 ~ 3.3 V
Linearity	± 10 % Max.
Phase Jitter ( 12 KHz ~ 20 MHz )	1 ps Max.

\* APR=(Pull Range) - (Degrations due to initial tolerance, operating temperature, supply voltage variation and aging)

### Dimensions



PAD FUNCTION:  
 1: CONTROL VOLTAGE  
 2: ENABLE CONTROL  
 3: GND  
 4: OUT  
 5: ~OUT  
 6: VDD



Units:mm

## X-ON Electronics

Largest Supplier of Electrical and Electronic Components

*Click to view similar products for [VCXO Oscillators](#) category:*

*Click to view products by [TXC Corporation](#) manufacturer:*

Other Similar products are found below :

[KD-VA9501](#) [ASG-P-V-A-491.520MHz](#) [SIT3808AI-CF-33EM-50.000000X](#) [EQVA23C1C1H-50.000M](#) [603281](#) [YNETHE125](#) [FRSONT019](#)  
[SiT3701AC-43-33C-10.00000X](#) [SiT3808AI-2F-25NM-4.915200X](#) [315LB3I1250T](#) [VG-4231CE](#) [27.0000M-PSCM3](#) [CVSS-945-125.000](#)  
[ASVV-4.096 MHz-L50-N152-T](#) [565DFA45M1500ABG](#) [565CFA45M1584ABG](#) [569DABA001908BBG](#) [569BAAA001478ABG](#)  
[565AAA1000M00BBG](#) [565CAA11M0592BBG](#) [565BAA100M000ABG](#) [CVHD-950-122.880](#) [CVHD-950-70.000](#) [CVHD-950-80.000](#) [CVHD-](#)  
[950X-100.000](#) [CVHD-950X-122.88](#) [CVHD950X-54.000](#) [CVPD-920-100.000](#) [515CAA000256AAG](#) [550AE100M000DG](#) [MK3722GLFTR](#)  
[CVHD-950X-50.000](#) [ABLJO-V-122.880MHZ-T2](#) [PL500-37TI](#) [KV7050B27.0000C3GD00](#) [VCS25AXT-270](#) [27.000MHZ](#) [357LB3I032M7680](#)  
[357LB3I040M0000](#) [KV7050B25.0000C3GD00](#) [357LB3I016M3840](#) [CVHD-950-76.800](#) [CVSS-945-50.000](#) [KV7050B40.0000C3GD00](#)  
[EV32C6A3A1-24.576M-TR](#) [LFVCXO067516Bulk](#) [ECXV-L37C2N-148.500](#) [LFVCXO067414Bulk](#) [LFVCXO067507Bulk](#) [VS-501-0074-](#)  
[1000M0](#) [LFVCXO067538Bulk](#) [515CDA5M00000AAG](#)