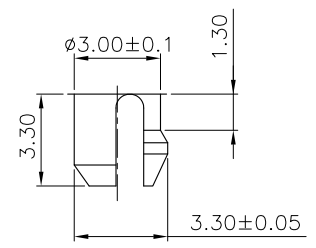
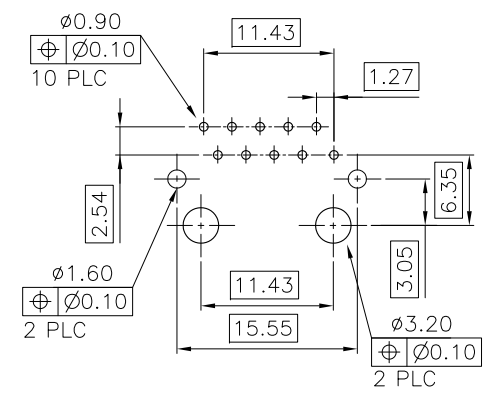
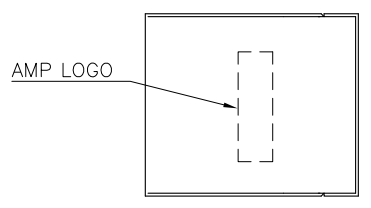


THIS DRAWING IS UNPUBLISHED. RELEASED FOR PUBLICATION
 © COPYRIGHT BY TYCO ELECTRONICS CORPORATION. ALL RIGHTS RESERVED.

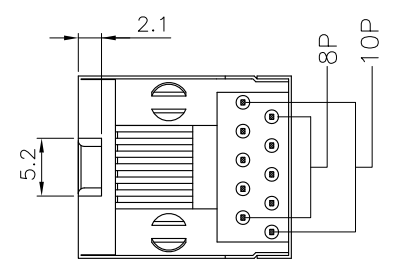
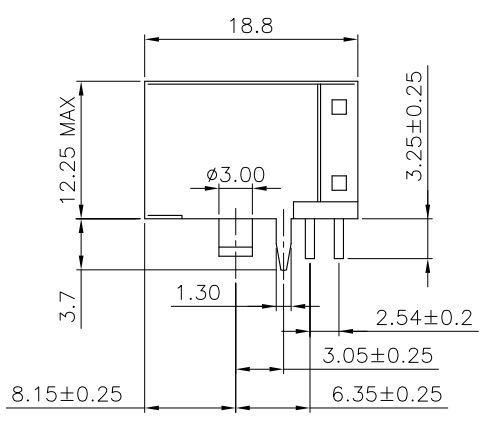
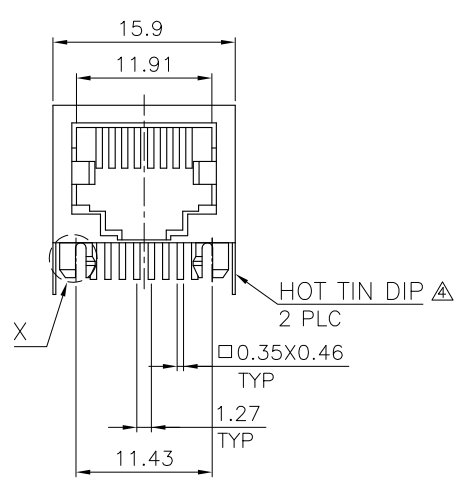
LOC	DIST	REVISIONS					
DW	-	P	LTR	DESCRIPTION	DATE	DWN	APVD
		B3		ECR-12-012115	260TC12	EL	WK



DETAIL X



RECOMMENDED PCB LAYOUT (THICKNESS: 1.6mm)
 DIMENSION TOLERANCE: 1 PLC: ±0.1 2PLC: ±0.05



OBSOLETE	10P8C	RED	50µ"	3-1734580-4
OBSOLETE			30µ"	3-1734580-3
OBSOLETE			15µ"	3-1734580-2
OBSOLETE			6µ"	3-1734580-1
OBSOLETE	10P10C	BLACK	50µ"	1-1734580-4
			30µ"	1-1734580-3
			15µ"	1-1734580-2
	10P8C	BLACK	6µ"	1-1734580-1
			50µ"	1734580-8
			30µ"	1734580-7
	10P8C	BLACK	15µ"	1734580-6
			6µ"	1734580-5
			50µ"	1734580-4
	10P8C	BLACK	30µ"	1734580-3
			15µ"	1734580-2
			6µ"	1734580-1
	RJ 45	HSG. COLOR	MIN. GOLD THICKNESS	PART NUMBER

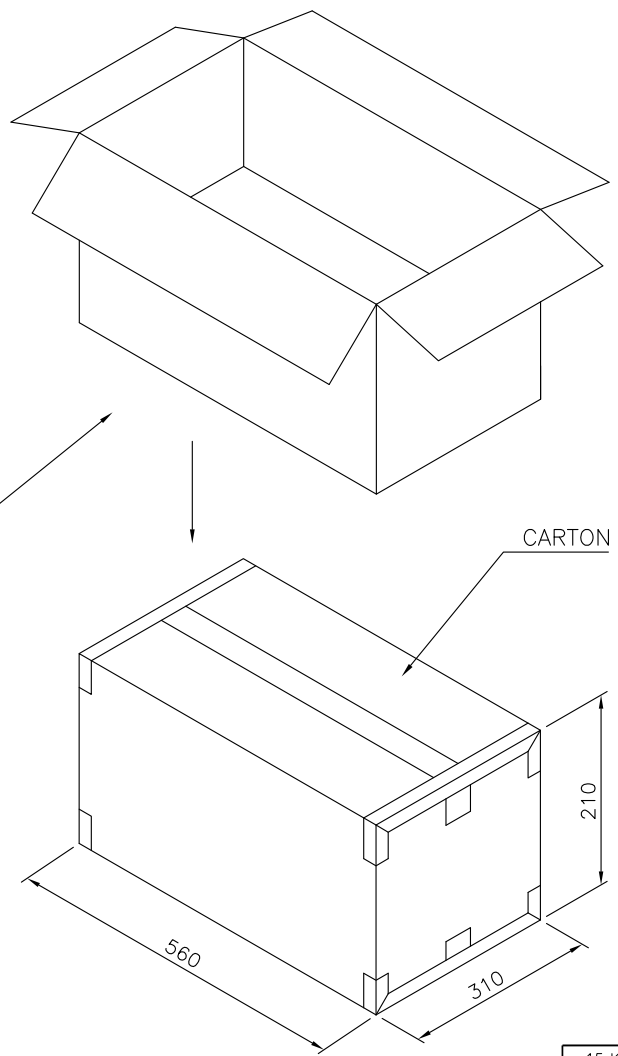
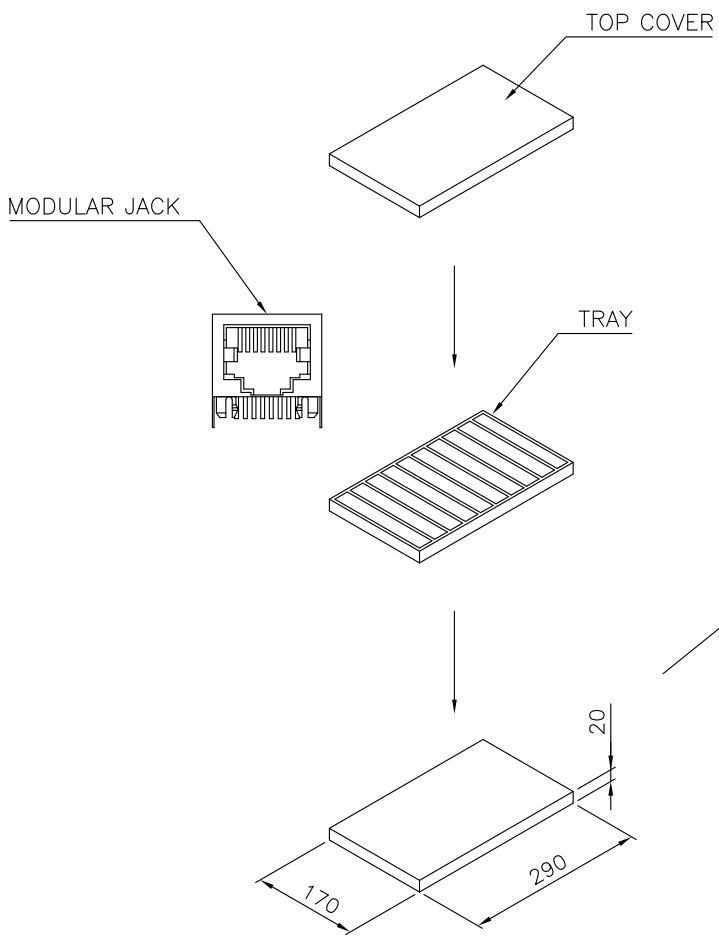
- NOTE:
- MATERIAL:
HOUSING: PA46 WITH 30% GF, UL 94V-0, BLACK COLOR.
CONTACTS: PHOSPHOR BRONZE, 0.35X0.46 THICKNESS.
SHIELD: BRASS, 0.25 THICKNESS.
 - FINISH:
CONTACTS: (SEE TABLE) GOLD PLATED ON CONTACT AREA,
GOLD FLASH ON SOLDER TAILS, WITH ENTIRE
CONTACT UNDERPLATED 1.27µm [50µ"] MIN. NICKEL.
SHIELD: 0.508µm [20µ"] MIN. NICKEL PLATED.
 - WAVE SOLDER CAPABLE TO 265°C PER 109-202, CONDITION B.

- △ PREPLATED HOT TIN DIP ON SHIELD'S LEGS.
- △ OBSOLETE PARTS: OBSOLETE CIS STREAMLINING PER D.RENAUD/D.SINISI


THIS DRAWING IS A CONTROLLED DOCUMENT.		DWN O. HU 01JUN2007	TE Connectivity		
DIMENSIONS: MM		CHK S. HOU 01JUN2007			
TOLERANCES UNLESS OTHERWISE SPECIFIED:		APVD W.J. KE 01JUN2007	NAME		
0 PLC ± 0.50 1 PLC ± 0.30 2 PLC ± 0.20 3 PLC ± 0.10 4 PLC ANGLES ± ± 3°		PRODUCT SPEC 108-57535	MODULAR JACK, RJ45, 8P8C, SHIELDED, SIDE ENTRY, LOW PROFILE		
MATERIAL SEE NOTE		QUALIFICATION TEST REPORT 501-57628	SIZE A3	CAGE CODE 00779	DRAWING NO C=1734580
FINISH SEE NOTE		WEIGHT 5.25 GRAMS	RESTRICTED TO	-	
		CUSTOMER DRAWING	SCALE -	SHEET 1 OF 2	REV B3

THIS DRAWING IS UNPUBLISHED. RELEASED FOR PUBLICATION
 © COPYRIGHT BY TYCO ELECTRONICS CORPORATION. ALL RIGHTS RESERVED.

LOC		DIST		REVISIONS					
DW		-		P	LTR	DESCRIPTION	DATE	DWN	APVD
SEE SHEET 1.									



15 Kg	13.5 Kg	100	25	2500 PCS
GROSS WEIGHT	NET WEIGHT	PCS/TRAY	TRAYS /CARTON	QUANTITY

THIS DRAWING IS A CONTROLLED DOCUMENT.		DWN	O. HU	01JUN2007	 TE Connectivity											
DIMENSIONS: MM		CHK	S. HOU	01JUN2007												
TOLERANCES UNLESS OTHERWISE SPECIFIED:		APVD	W.J. KE	01JUN2007												
<table border="0"> <tr><td>0 PLC</td><td>± -</td></tr> <tr><td>1 PLC</td><td>± -</td></tr> <tr><td>2 PLC</td><td>± -</td></tr> <tr><td>3 PLC</td><td>± -</td></tr> <tr><td>4 PLC</td><td>± -</td></tr> <tr><td>ANGLES</td><td>± -</td></tr> </table>		0 PLC	± -	1 PLC		± -	2 PLC	± -	3 PLC	± -	4 PLC	± -	ANGLES	± -	NAME	
0 PLC	± -															
1 PLC	± -															
2 PLC	± -															
3 PLC	± -															
4 PLC	± -															
ANGLES	± -															
MATERIAL		FINISH		PRODUCT SPEC	SIZE	CAGE CODE	DRAWING NO	RESTRICTED TO								
				APPLICATION SPEC	A3	00779	©=1734580	-								
CUSTOMER DRAWING				WEIGHT	SCALE	SHEET	2 of 2	REV B3								
					-											

X-ON Electronics

Largest Supplier of Electrical and Electronic Components

Click to view similar products for [Modular Connectors / Ethernet Connectors](#) category:

Click to view products by [TE Connectivity](#) manufacturer:

Other Similar products are found below :

[RJE231881317T](#) [MP1010RX-1000](#) [MP44RX-1000](#) [GAX-3-66](#) [GAX-8-62](#) [93606-0253](#) [GD-A-44](#) [GDCX-PA-66-50](#) [GDCX-PN-64](#) [GDCX-PN-66](#) [GDCX-PN-66-50](#) [GDLX-A-66](#) [GDLX-A-88](#) [GDLX-N-66](#) [GDLX-S-88K](#) [GDTX-S-88-50](#) [GDX-PA-1010](#) [GLX-A-44](#) [GLX-N-1010M-BLK](#) [GLX-N-44M](#) [GLX-S-88M-BLK](#) [GMX-N-1010](#) [GMX-S-1010](#) [GMX-S-66](#) [GMX-SMT2-N-1010](#) [GMX-SMT2-N-64-50](#) [GMX-SMT2-S6-88](#) [GMX-SMT4-N-88](#) [GPX-2-64](#) [GRT1-BT1-5](#) [GSGX-N-2-88](#) [GSX-NS2-88-3.05](#) [GSX-NS2-88-3.05-50](#) [GSX-NS-88-3.05-30](#) [GSX-NS-88-3.05-50](#) [GSX-NS-88-3.68](#) [1-1775629-2](#) [GWLX-S-88-GR](#) [GWLX-S9-88-YG](#) [1300500326](#) [1300500227](#) [1300530003](#) [1300570002](#) [1324640-4](#) [RJ11FTVC2G](#) [RJ11FTVC2N](#) [RJFTVX2SA1G](#) [132764-001](#) [1400000](#) [1413176](#)