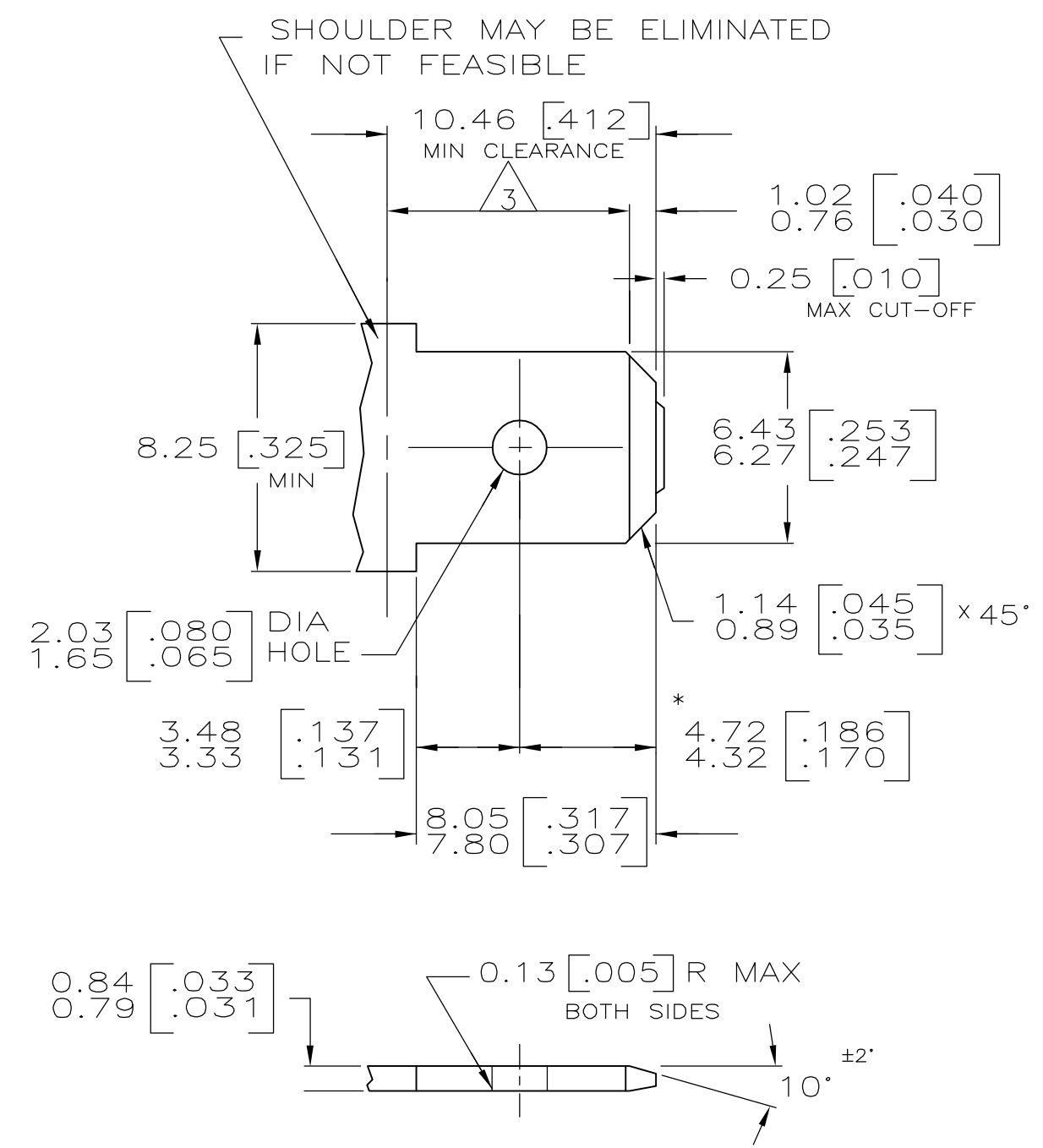
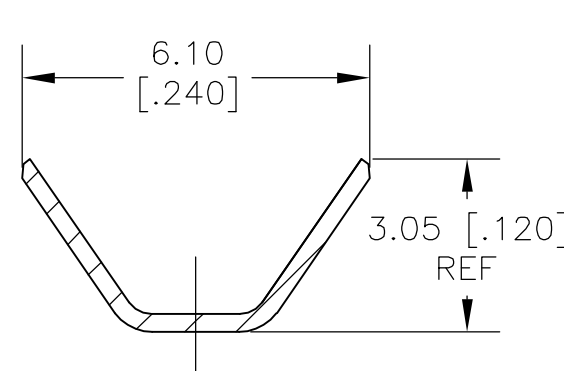
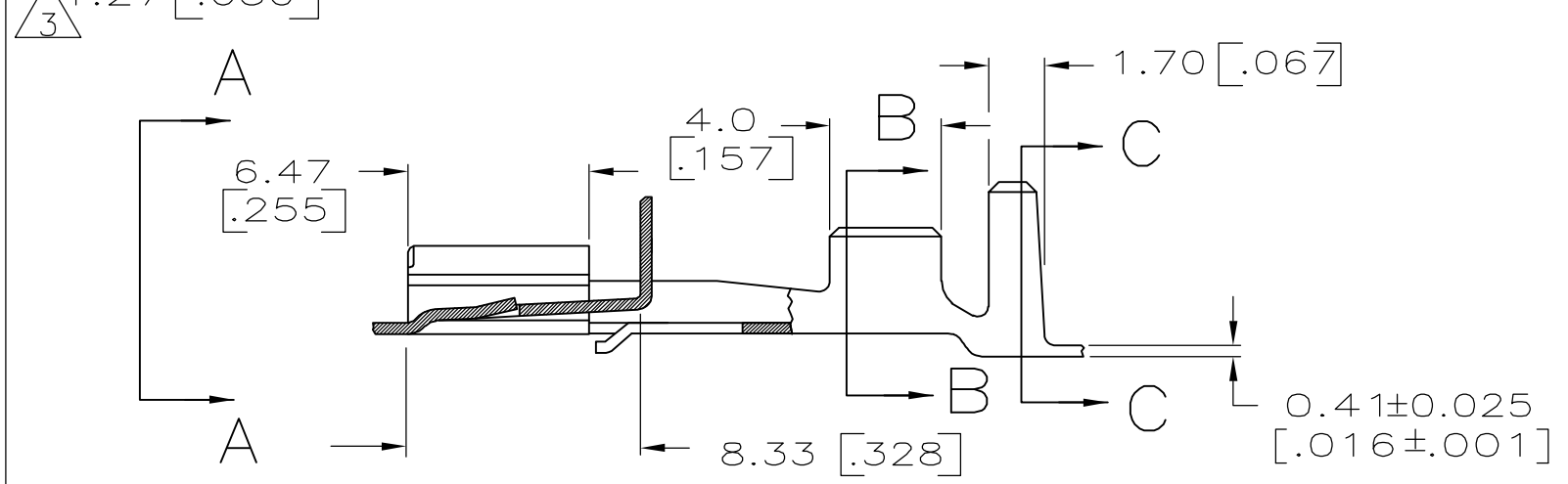
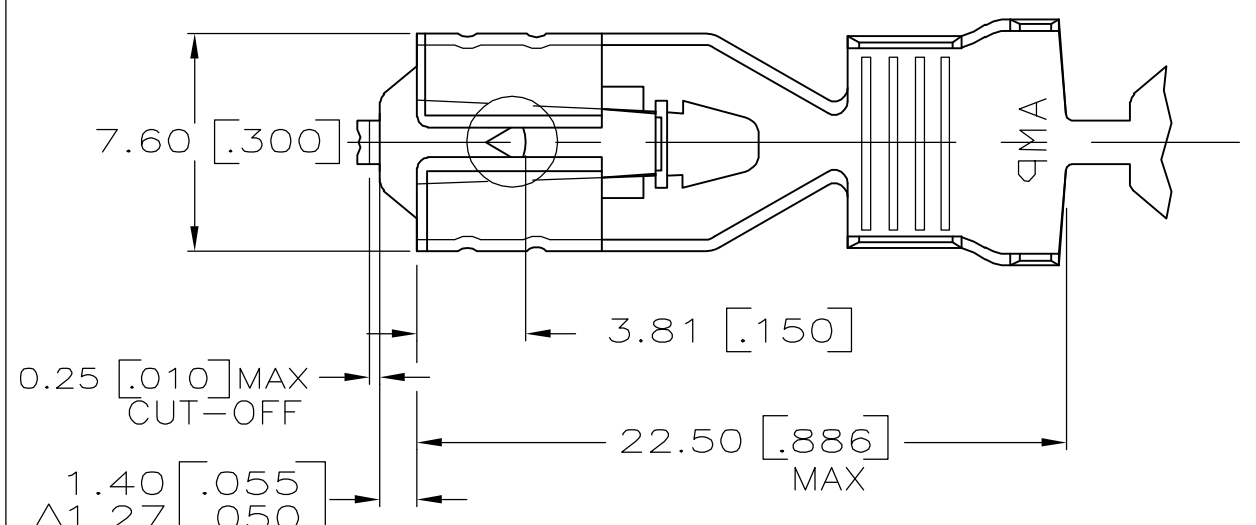


LOC	DIST	REVISIONS					
AF	50	P	LTR	DESCRIPTION	DATE	DWN	APVD
		A1		REVISED PER ECR-06-020824	07SEP06	HMR	EH

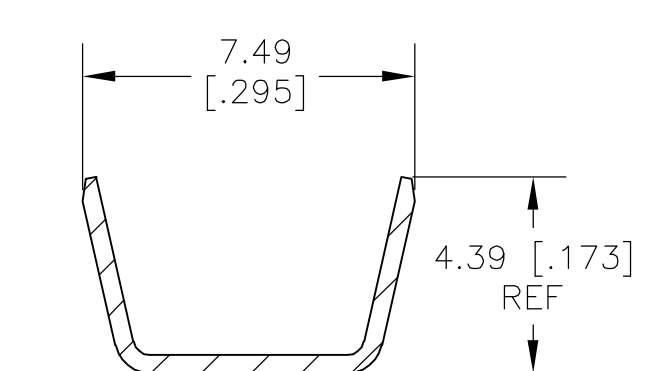
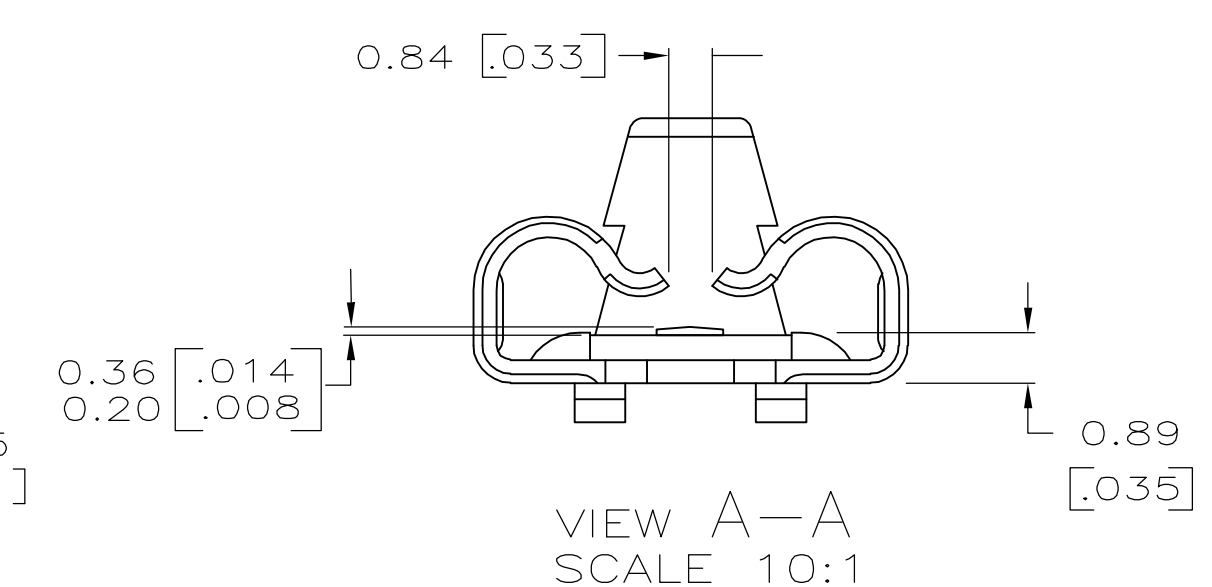
SUGGESTED MATING TAB



- 1 - MATL: 1/2H BRASS OR NICKEL PL STEEL.
 - 2 - NO BURRS PERMISSIBLE AT HOLE.
 - 3 - MUST BE FLAT WITHIN 0.076 [0.003] OVER THIS LENGTH.
 - 4 - TIN PLATING IS REQUIRED ON BRASS WHEN TERMINAL TEMP. IS OVER 225° F
 - 5 - HOLE MUST BE SYMMETRICAL ABOUT TAB \varnothing WITHIN 0.076 [0.003]
- * TO BE USED ONLY WHEN SHOULDER IS ELIMINATED.



SECTION B-B
SCALE 8:1



SECTION C-C
SCALE 8:1

- 1 DIMENSIONS IN BRACKETS ARE IN INCHES.
- 2 PRODUCT PROVIDED IN STRIP FORM, BREAKS MAY BE PRESENT.
- 3 THE 1.27-1.40 [0.050-.055] DIMENSION MUST BE MAINTAINED BY THE APPLICATOR CUT-OFF TO ENSURE THE PROPER LOCKING FUNCTION OF THE RECEPTACLE.
- 4 WIRE RANGE: #18-#16, TWO #18's, OR TWO #20's AWG.
- 5 INSULATION RANGE: 2.67-5.33mm² OR TWO AT 2.67mm² MAX. [.105-.210 DIA OR TWO AT .105 MAX DIA].
- 6 PRELIMINARY - NOT FOR PRODUCTION.

TIN 0.002032 [0.000080] MIN	1742354-2
	1742354-1
FINISH	PART NO.

THIS DRAWING IS A CONTROLLED DOCUMENT.		DWN	M.S. FEHER	13OCT2005		Tyco Electronics Corporation	
DIMENSIONS: mm [INCHES]		CHK	E. HOWARD	13OCT2005		Harrisburg, PA 17105-3608	
TOLERANCES UNLESS OTHERWISE SPECIFIED:		APVD	F. HOWARD	13OCT2005	NAME		
0 PLC	± -	PRODUCT SPEC		RECEPTACLE, POSITIVE LOCK, .250 SERIES			
1 PLC	± -	APPLICATION SPEC		114-2074	SIZE	CAGE CODE	DRAWING NO
2 PLC	± 0.25 [0.010]	MATERIAL		H06 BRASS	A2	00779	1742354
3 PLC	± -	FINISH		SEE TABLE	RESTRICTED TO		
4 PLC	± -	CUSTOMER DRAWING		SCALE 5:1 SHEET 1 OF 1 REV A1			
ANGLES	± -						

X-ON Electronics

Largest Supplier of Electrical and Electronic Components

Click to view similar products for [Terminals](#) category:

Click to view products by [TE Connectivity](#) manufacturer:

Other Similar products are found below :

[HT-13-10](#) [71M-250-32-NB](#) [01-2065-1-0216](#) [00581P0075](#) [M10-10RX](#) [M10BCK](#) [60205-1](#) [604200-1](#) [60598-1-CUT-TAPE](#) [60617-1-C](#) [60873-1](#) [M14-516R/SK](#) [M14-6RSX](#) [M18-10FLX](#) [M18-8FBX](#) [M18-8R/LX](#) [M18BCK](#) [61314-6-C](#) [61-S](#) [61-SN-A](#) [62-NBM-A](#) [63-S](#) [640179-1](#) [640917-2-CUT-TAPE](#) [6501550002](#) [66107-2-C](#) [66107-4-C](#) [696683-1](#) [696834-1](#) [696861-1](#) [696931-1](#) [696999-1](#) [M8-516RK](#) [M86700006](#) [MA250DMFMX-A](#) [701-2007](#) [701-2307](#) [701-7761-03](#) [70F-110-32-PB](#) [718-N-A](#) [71M-187-20-NBL](#) [71M-250-32-NBL](#) [72F-187-20-NBL](#) [72M-250-32-NBL](#) [7310](#) [73F-250-32](#) [73F-250-32-NBL](#) [73F-250-32-NL](#) [F14-10C](#) [F-1M](#)