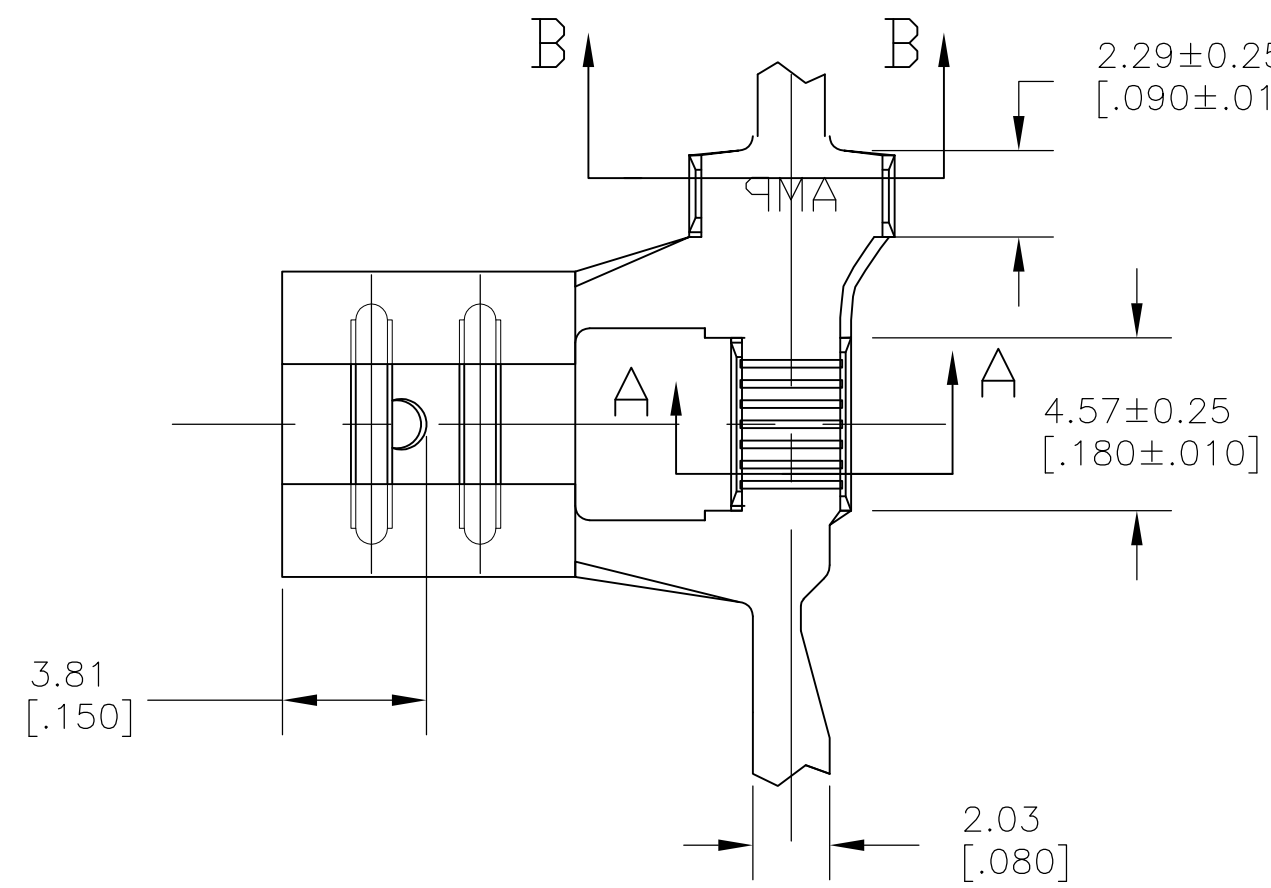
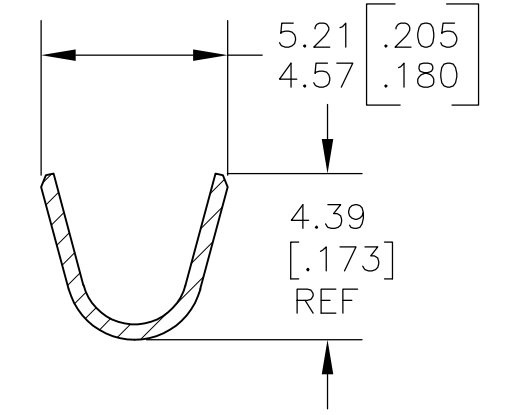
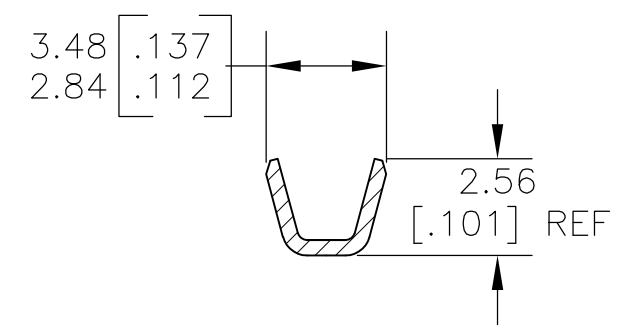
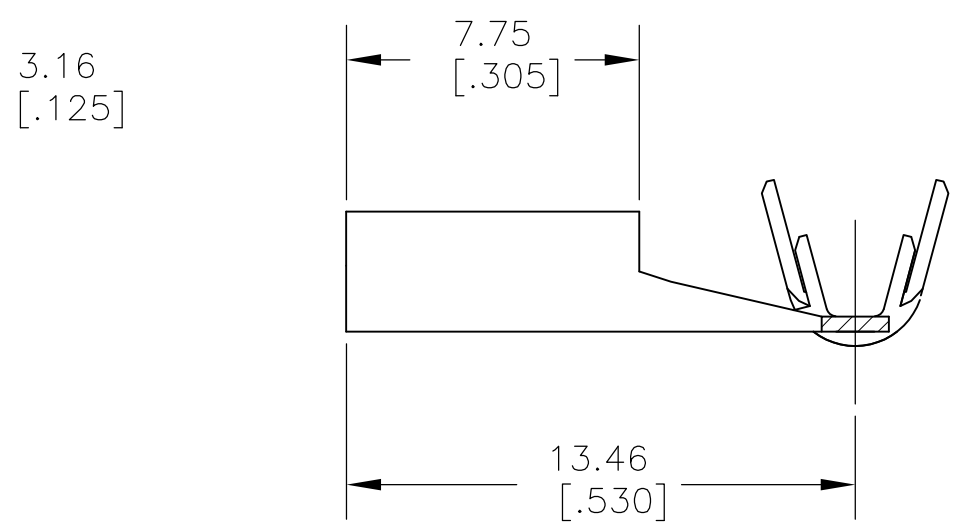
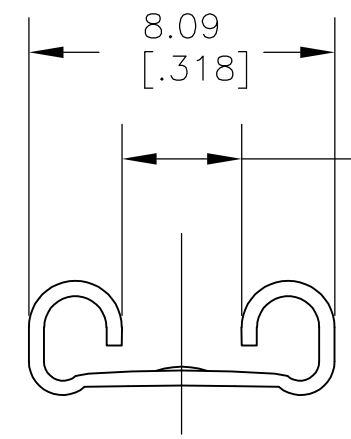


THIS DRAWING IS UNPUBLISHED. RELEASED FOR PUBLICATION
 © COPYRIGHT - By - ALL RIGHTS RESERVED.

LOC	DIST	REVISIONS				
P	LTR	DESCRIPTION	DATE	DWN	APVD	
AF	50	A2	RELEASED PER ECO 11-022700	10NOV11	JR	PD



- CONTINUOUS STRIP ON REELS
- WIRE SIZE IS 1000-2700 CMA (2 WIRES)
(0.6+0.6mm) to (1.0+0.85mm) DIA
CRIMP WIDTH IS 2.29 [.090], F TYPE
- INSULATION RANGE 2.54-3.05 [.100-.120] DIA
CRIMP WIDTH IS 3.56 [.140], OVERLAP TYPE
- 0.002032 [.00080] MIN TIN PLATE
- MATING TAB THK IS 0.81±0.025 [.032±.001].



SECTION A-A SECTION B-B

1742882-1
PART NO

THIS DRAWING IS A CONTROLLED DOCUMENT.		DWN jr_ruth 08DEC10	TE Connectivity		
DIMENSIONS: MM [INCHES]		CHK PETE_DESANTIS 08DEC10			
TOLERANCES UNLESS OTHERWISE SPECIFIED:		APVD PETE_DESANTIS 08DEC10	RECEPTACLE, FASTON, FLAG, AMPLIVAR, 6.35 [.250] SERIES		
0 PLC ± - 1 PLC ± - 2 PLC ± 0.25 [.010] 3 PLC ± - 4 PLC ± - ANGLES ± 5°		PRODUCT SPEC	DRAWING NO		
MATERIAL 4M BRASS		APPLICATION SPEC	SIZE	CAGE CODE	RESTRICTED TO
FINISH -4		WEIGHT	A3	00779	-
CUSTOMER DRAWING			SCALE	SHEET	REV
			5:1	1 OF 1	A2

X-ON Electronics

Largest Supplier of Electrical and Electronic Components

Click to view similar products for [Terminals](#) category:

Click to view products by [TE Connectivity](#) manufacturer:

Other Similar products are found below :

[HT-13-10](#) [71M-250-32-NB](#) [01-2065-1-0216](#) [00581P0075](#) [M10-10RX](#) [M10BCK](#) [60205-1](#) [604200-1](#) [60598-1-CUT-TAPE](#) [60617-1-C](#) [60873-1](#) [M14-516R/SK](#) [M14-6RSX](#) [M18-10FLX](#) [M18-8FBX](#) [M18-8R/LX](#) [M18BCK](#) [61314-6-C](#) [61-S](#) [61-SN-A](#) [62-NBM-A](#) [63-S](#) [640179-1](#) [640917-2-CUT-TAPE](#) [6501550002](#) [66107-2-C](#) [66107-4-C](#) [696683-1](#) [696834-1](#) [696861-1](#) [696931-1](#) [696999-1](#) [M8-516RK](#) [M86700006](#) [MA250DMFMX-A](#) [701-2007](#) [701-2307](#) [701-7761-03](#) [70F-110-32-PB](#) [718-N-A](#) [71M-187-20-NBL](#) [71M-250-32-NBL](#) [72F-187-20-NBL](#) [72M-250-32-NBL](#) [7310](#) [73F-250-32](#) [73F-250-32-NBL](#) [73F-250-32-NL](#) [F14-10C](#) [F-1M](#)