

**ebm-papst Mulfingen GmbH & Co. KG**

Bachmühle 2 · D-74673 Mulfingen

Phone +49 7938 81-0

Fax +49 7938 81-110

info1@de.ebmpapst.com

www.ebmpapst.com

Limited partnership · Headquarters Mulfingen

Amtsgericht (court of registration) Stuttgart · HRA 590344

General partner Elektrobau Mulfingen GmbH · Headquarters Mulfingen

Amtsgericht (court of registration) Stuttgart · HRB 590142

**Nominal data**

|                             |                       |      |      |
|-----------------------------|-----------------------|------|------|
| <b>Type</b>                 | <b>M4Q045-CA03-75</b> |      |      |
| <b>Motor</b>                | <b>M4Q045-CA</b>      |      |      |
| Phase                       |                       | 1~   | 1~   |
| Nominal voltage             | VAC                   | 230  | 230  |
| Frequency                   | Hz                    | 50   | 60   |
| Method of obtaining data    |                       | me   | me   |
| Valid for approval/standard |                       | CE   | CE   |
| Speed (rpm)                 | min <sup>-1</sup>     | 1300 | 1550 |
| Power consumption           | W                     | 36   | 34   |
| Power output                | W                     | 10   | 9    |
| Current draw                | A                     | 0.25 | 0.22 |
| Min. ambient temperature    | °C                    | -30  | -30  |
| Max. ambient temperature    | °C                    | 40   | 40   |
| Starting current            | A                     | 0.33 | 0.3  |

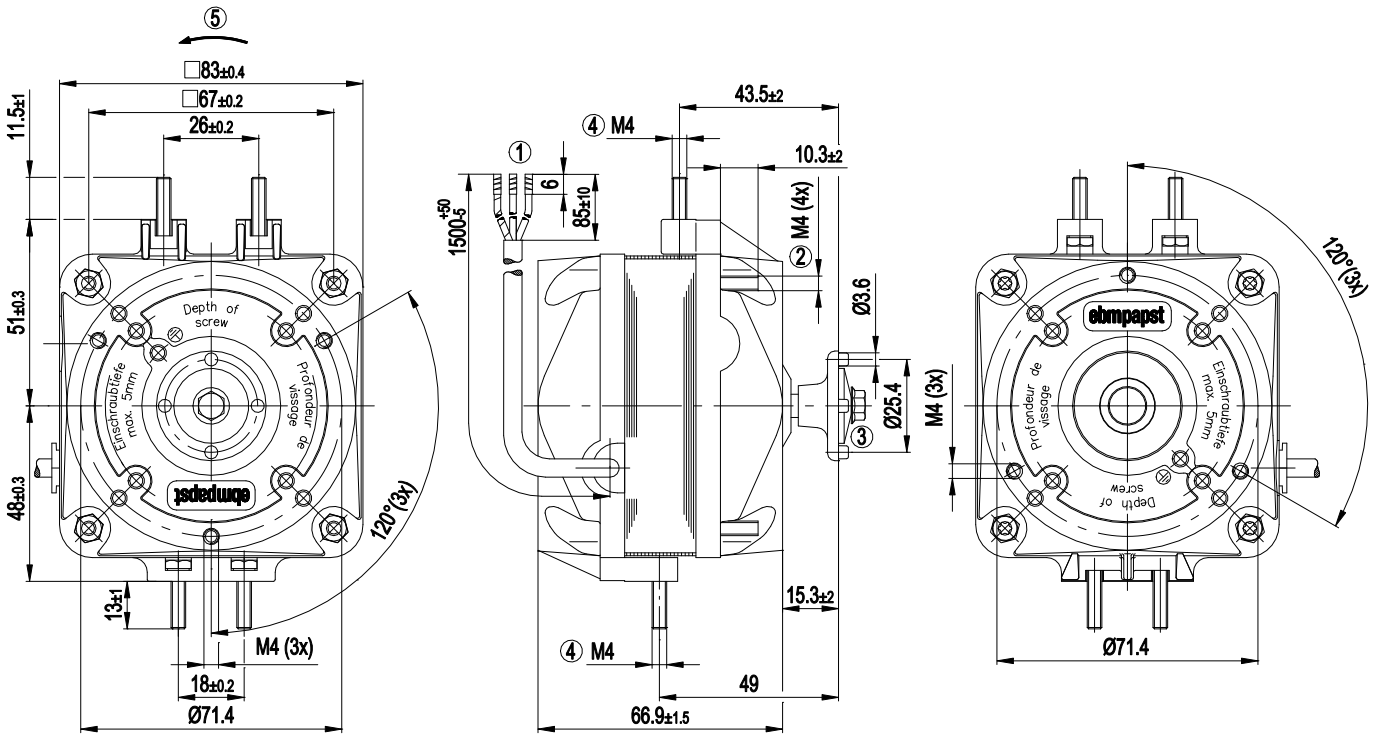
ml = Max. load · me = Max. efficiency · fa = Free air · cs = Customer specification · ce = Customer equipment  
 Subject to change



### Technical description

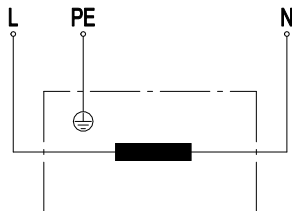
|   |  |
|---|--|
| <b>Weight</b>   | 1.2 kg   |
| <b>Fan size</b>   | 45 mm  |
| <b>Bearing shield material</b>  | Die-cast aluminum                                |
| <b>Direction of rotation</b>  | Counterclockwise, viewed toward rotor            |
| <b>Degree of protection</b>   | IP20   |
| <b>Insulation class</b>   | "B"  |
| <b>Max. permitted ambient temp. for motor (transport/storage)</b>                 | + 80 °C  |
| <b>Min. permitted ambient temp. for motor (transport/storage)</b>                 | - 40 °C  |
| <b>Installation position</b>  | Shaft horizontal                                 |
| <b>Condensation drainage holes</b>  | None   |
| <b>Mode</b>   | S1   |
| <b>Motor bearing</b>  | Calotte bearing                                  |
| <b>Touch current according to IEC 60990 (measuring circuit Fig. 4, TN system)</b> | < 0.75 mA  |
| <b>Motor protection</b>   | Impedance protection                             |
| <b>With cable</b>   | Lateral  |
| <b>Protection class</b>   | I (with customer connection of protective earth) |
| <b>Conformity with standards</b>  | EN 60335-1; CE                                   |
| <b>Approval</b>   | VDE  |

Product drawing



|   |  |
|---|--|
| 1 | Cable PVC, 3x crimped splices  |
| 2 | Tightening torque for nut for fastening fan housing or guard grille 2.3 Nm |
| 3 | Tightening torque for screw for fastening fan impeller 1.4 Nm              |
| 4 | Tightening torque for nut for fastening mounting bracket 2.3 Nm            |
| 5 | Direction of rotation counterclockwise, viewed toward shaft end            |

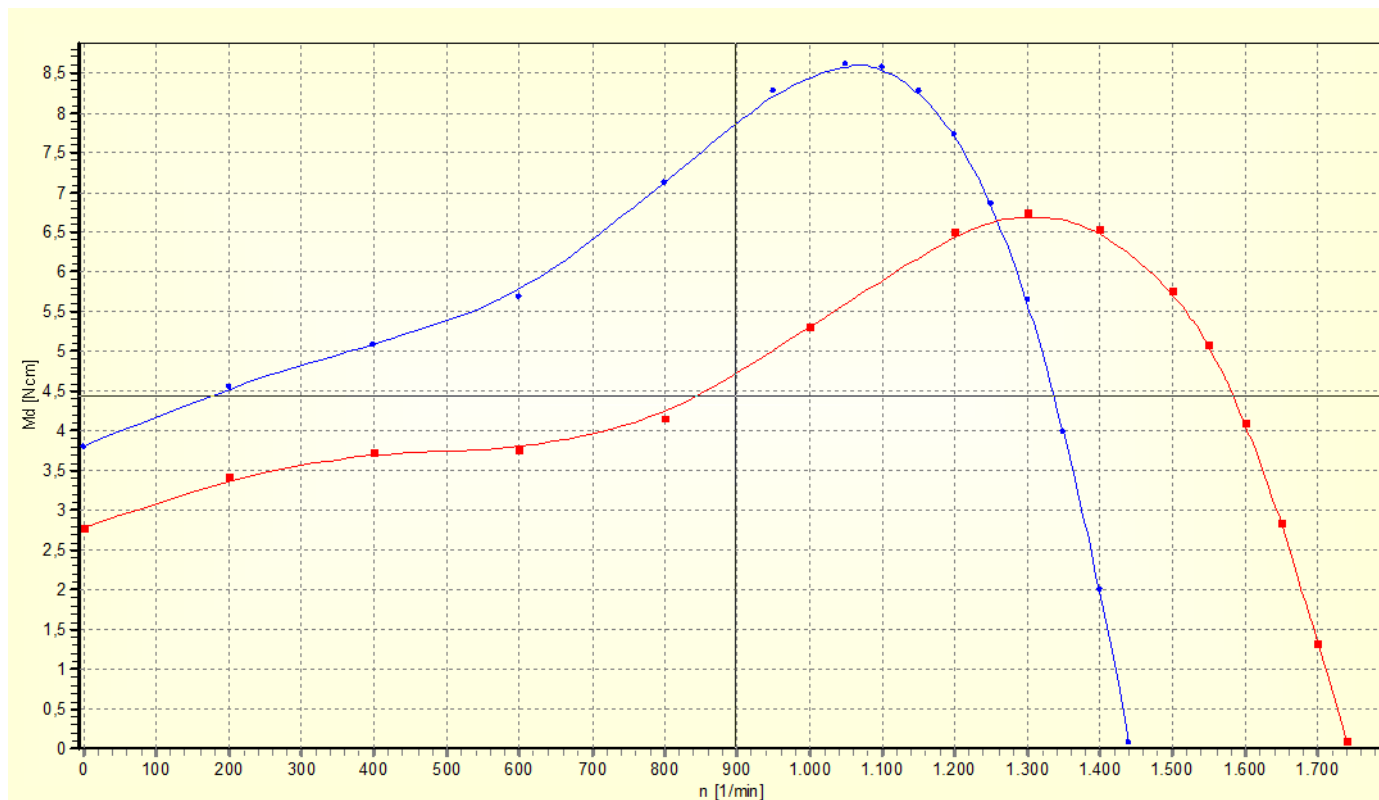
Connection diagram



|   |      |    |              |   |       |
|---|------|----|--------------|---|-------|
| L | blue | PE | green/yellow | N | brown |
|---|------|----|--------------|---|-------|



## Curves: Speed (rpm)



## X-ON Electronics

Largest Supplier of Electrical and Electronic Components

*Click to view similar products for [Motor/Motion/Ignition Controllers & Drivers](#) category:*

*Click to view products by [ebm papst](#) manufacturer:*

Other Similar products are found below :

[LV8133JA-ZH](#) [LV8169MUTBG](#) [LV8774Q-AH](#) [LV8860PV-TLM-H](#) [MC33931EKR2](#) [FSB50250UTD](#) [FSB50550TB2](#) [FSBF15CH60BTH](#)  
[FSBS10CH60T](#) [MP6507GR-P](#) [MP6508GF](#) [MSVCPM2-63-12](#) [MSVGW45-14-2](#) [MSVGW54-14-5](#) [NTE7043](#) [CAT3211MUTAG](#) [LA6245P-CL-TLM-E](#) [LA6245P-TLM-E](#) [LA6565VR-TLM-E](#) [LB11650-E](#) [LB1694N-E](#) [LB1837M-TLM-E](#) [LB1845DAZ-XE](#) [LC898111AXB-MH](#)  
[LC898300XA-MH](#) [SS30-TE-L-E](#) [STK531-345A-E](#) [STK581U3A0D-E](#) [STK58AUNP0D-E](#) [STK621-068C-E](#) [STK621-140C](#) [STK621-728S-E](#)  
[STK625-728-E](#) [STK672-400B-E](#) [STK672-432AN-E](#) [STK672-432BN-E](#) [STK672-440AN-E](#) [STK672-442AN-E](#) [AMIS30621AUA](#)  
[FSB50550ASE](#) [26700](#) [LV8161MUTAG](#) [LV8281VR-TLM-H](#) [LV8702V-TLM-H](#) [LV8734VZ-TLM-H](#) [LV8773Z-E](#) [LV8807QA-MH](#)  
[MC33932EK](#) [MCP8024T-H/MP](#) [TND027MP-AZ](#)