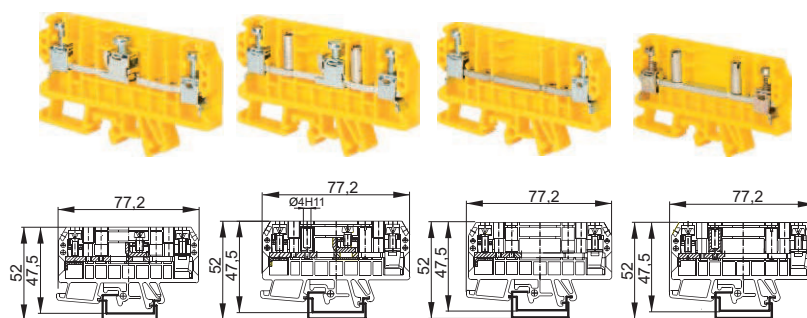


Thread terminal blocks with sliding disconnecter and test jacks or w/o test jacks



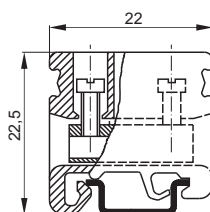
TYPE	ZG-G/P	ZG-G/PG	ZG-G/D	ZG-G/DG
Catalogue number	11-910	11-920	11-930	11-940
Colour	yellow-1 blue-6	yellow-1 blue-6	yellow-1 blue-6	yellow-1 blue-6
Standard	IEC 60947-7-1	IEC 60947-7-1	IEC 60947-7-1	IEC 60947-7-1
Nominal cross-section	10mm ²	10mm ²	10mm ²	10mm ²
Nominal connectivity: wire/cord	0,5...10 / 0,5...6mm ²	0,5...10 / 0,5...6mm ²	0,5...10 / 0,5...6mm ²	0,5...10 / 0,5...6mm ²
Nominal voltage of insulation	690V	690V	690V	690V
Nominal impulse withstand voltage	8kV	8kV	8kV	8kV
Nominal continuous current	57A	57A	57A	57A
Terminal torque	1,2Nm	1,2Nm	1,2Nm	1,2Nm
Stripping length	10mm	10mm	10mm	10mm
Width	8mm	8mm	8mm	8mm
Insulating material	polyamide	polyamide	polyamide	polyamide
Ambient temperature	-25...+100°C	-25...+100°C	-25...+100°C	-25...+100°C
Weight	22g	26g	23g	27g
Package	25pcs.	25pcs.	25pcs.	25pcs.

Equipment and accessories

EQUIPMENT	PAGE	ZG-G/P	ZG-G/PG	ZG-G/D	ZG-G/DG
Mounting rails	200	TS32/AL, TS35	TS32/AL, TS35	TS32/AL, TS35	TS32/AL, TS35
Holders	49	KU-1/35, KU-2/35	KU-1/35, KU-2/35	KU-1/35, KU-2/35	KU-1/35, KU-2/35
End section	51	PSUP-10	PSUP-10	PSUP-10	PSUP-10
Short-circuiting connectors	53	ZKU-10/...	ZKU-10/...	ZKU-10/...	ZKU-10/...
Markers	48	DK/Z-5, DK/Z-6	DK/Z-5, DK/Z-6	DK/Z-5, DK/Z-6	DK/Z-5, DK/Z-6

Single line "mini" terminal block for TS15 rail - type BM-4

The BM-4 is a single line, thread terminal block for installing on TS15 mounting rails. Used for joining rigid and flexible copper cables. The end of the bunched conductor being connected must be terminated with a sleeve terminal clamped using manual press or must have all wires soldered. Colour – only yellow.



TYPE	BM-4
Catalogue number	11-4121
Standard	IEC 60998-2-1
Nominal cross-section	4mm ²
Nominal voltage of insulation	400V
Nominal continuous current	32A
Nominal connectivity: wire/cord	0,75...4mm ²
Terminal torque	0,8Nm
Stripping length	6mm
Width	6,4mm
Insulating material	polyamide
Ambient temperature	-25...+100°C
Weight	6g
Package	100pcs.

Equipment and accessories

EQUIPMENT	PAGE	BM-4
Mounting rails	200	TS15/AL
Holders	49	KU-15
Short-circuiting connectors	53	ZKM-4/...
Markers	48	DK/Z-5, DK/Z-6

X-ON Electronics

Largest Supplier of Electrical and Electronic Components

Click to view similar products for [DIN Rail Terminal Blocks](#) category:

Click to view products by [POKOJ](#) manufacturer:

Other Similar products are found below :

[00110201060](#) [00110410002](#) [00110420002](#) [00110420004](#) [00110420202](#) [00110420302](#) [00110430002](#) [00110430402](#) [00110440002](#)
[00175111500](#) [0117960000 AP SAK4-10](#) [0117980000 AP SAK4-10 BL](#) [0203069](#) [0205067](#) [0210421](#) [0260015](#) [0261014](#) [0261027](#) [0270018](#)
[0271017](#) [0279560000 AP SAK2.5](#) [0279580000 AP SAK2.5 BL](#) [0302216](#) [0303370](#) [0303396](#) [0304298](#) [0305080](#) [0305226](#) [0305297](#) [0305352](#)
[0308210](#) [0309086](#) [0309109](#) [0309112](#) [0309549](#) [0310321](#) [0310389](#) [0311087](#) [0311126](#) [0311142](#) [0311171](#) [031-12](#) [0311359](#) [0311540](#) [0311728](#)
[0311760](#) [031-238](#) [0313085](#) [0321019](#) [0328920000 SAKS 3/35 G/5X30 500V](#)